



RRS
REALLY RIGHT STUFF



MADE IN THE **USA** 

TRIPOD & MONOPOD MANUAL

SERIES AND MODELS

Our tripods & monopods vary in height, weight, load capacity, and features. 'Pods within the same Series share a common load capacity. See our website for detailed specifications.

RRS 'Pod Models Understanding 'Pod Names

TVC-34L

Tripod or Monopod
Apex (Versa, Quick-Column, Fixed)
Carbon Fiber, Aluminum
Number of leg sections per leg
Long, Short, or Ground Level



Series 1

TQC-14 Mk2 Tripod, Quick-Column, 4 leg sections
TFC-14 Mk2 Tripod, Fixed Apex, 4 leg sections



25 lb / 11.3kg



2.6 lb / 1.2kg

2.3 lb / 1.1kg



Series 2

TVC-23 Mk2 Tripod, Versa-style Apex, 3 leg sections
TVC-24 Mk2 Tripod, Versa-style Apex, 4 leg sections
TVC-24L Mk2 Tripod, Versa-style Apex, 4 leg sections, Long
TFC-24L Mk2 Tripod, Fixed Apex, 4 leg sections, Long

40 lb / 18kg

3.3 lb / 1.5kg

40 lb / 18kg

3.3 lb / 1.5kg

40 lb / 18kg

3.7 lb / 1.7kg

40 lb / 18kg

3.7 lb / 1.7kg



Series 3

TVC-32G Mk2 Tripod, Versa-style Apex, 2 leg sections, Ground
TVC-33 Mk2 Tripod, Versa-style Apex, 3 leg sections
TVC-33S Mk2 Tripod, Versa-style Apex, 3 leg sections, Short
TVC-34 Mk2 Tripod, Versa-style Apex, 4 leg sections
TVC-34L Mk2 Tripod, Versa-style Apex, 4 leg sections, Long

50 lb / 23kg

2.5 lb / 1.1kg

50 lb / 23kg

4.3 lb / 1.9kg

50 lb / 23kg

4.1 lb / 1.8kg

50 lb / 23kg

4.4 lb / 2.0kg

50 lb / 23kg

4.7 lb / 2.1kg



Series 4

TVC-42G Mk2 Tripod, Versa-style Apex, 2 leg sections, Ground
TVC-43 Mk2 Tripod, Versa-style Apex, 3 leg sections
TVC-44 Mk2 Tripod, Versa-style Apex, 4 leg sections, Short
TVC-45 Mk2 Tripod, Versa-style Apex, 5 leg sections

100 lb / 45kg

4.1 lb / 1.8kg

100 lb / 45kg

6.0 lb / 2.7kg

100 lb / 45kg

6.5 lb / 3.0kg

100 lb / 45kg

6.9 lb / 3.1kg

SERIES AND MODELS

Quick-Column Series 1



TQC-14 Mk2

Fixed Series 1



TFC-14 Mk2

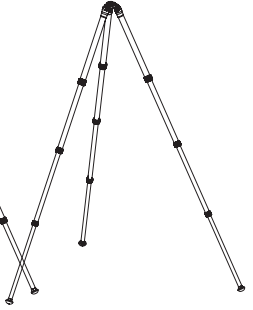
Versa Series 2



TVC-24 Mk2



TVC-23 Mk2



TVC-24L / TFC-24L Mk2

Versa Series 3



TVC-33S Mk2



TVC-33 Mk2



TVC-34 Mk2



TVC-34L Mk2

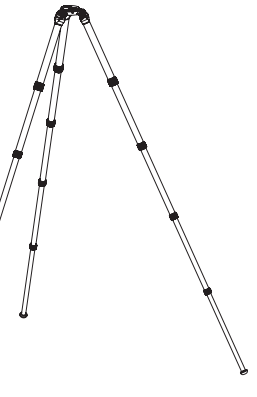
Versa Series 4



TVC-43 Mk2



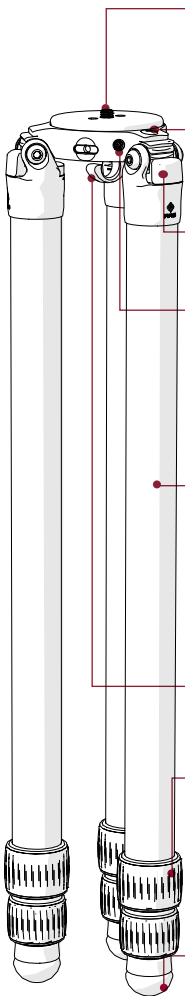
TVC-44 Mk2



TVC-45 Mk2

FEATURES AT-A-GLANCE

Our tripods are made with carbon fiber, hard anodized 6061-T6 aluminum, and stainless steel. Made in the U.S.A.



1. Mounting Stud

$\frac{3}{8}$ " Mounting Stud securely attaches to tripod heads.

2. Spirit Level

The bullseye helps you level your tripod with ease (Versa tripods only).

3. Angle Stop

The Angle Stop ratchets into place to set leg angle.

4. SureGrip™ Apex Lock

Carry your tripod over your shoulder with confidence. The SureGrip™ Apex Lock securely fastens your tripod accessory (Versa tripods only).

5. Leg

Ultra thin wall, large diameter carbon fiber tubes provide superior strength and extraordinary vibration absorption without adding weight.

6. Weight Hook

Can be used with a carabiner $\frac{1}{4}$ " to $\frac{3}{8}$ " diameter.

7. Twist Lock

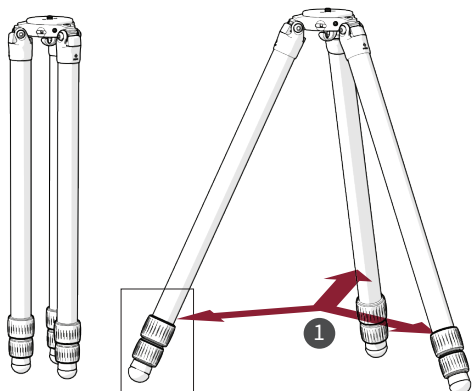
Extra large twist locks made with rubber over-molded aluminum provide a comfortable grip and easy rotation.

8. Interchangeable Foot

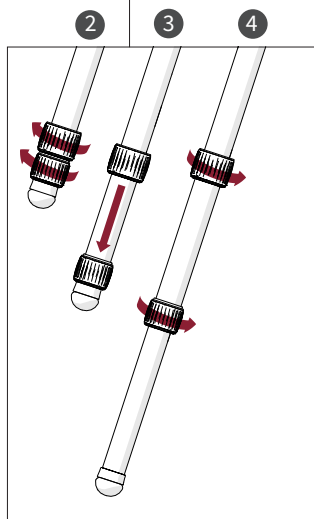
Unique tapered shape assures maximum stability and prevents legs from touching the ground even at full spread.

BASIC TRIPOD USE

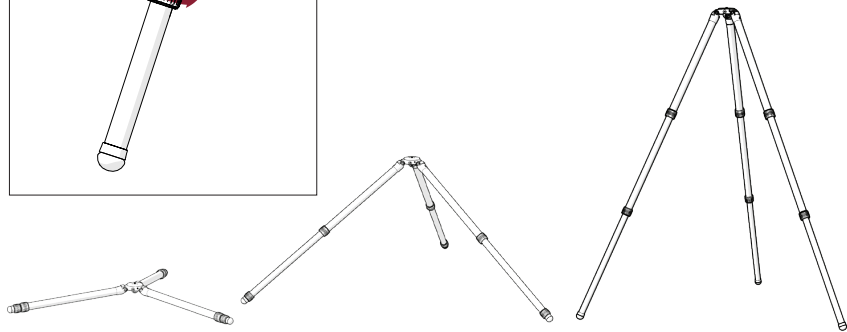
Before taking your tripod afield, take a moment to familiarize yourself with its operations.



1. Swing out all three legs.
2. Grab all twist locks with one hand and rotate one quarter turn.
3. Pull leg until fully extended.
4. Tighten twist locks.
5. Repeat on all legs.
6. To collapse, loosen twist locks and collapse leg. Grab all twist locks with one hand and tighten.



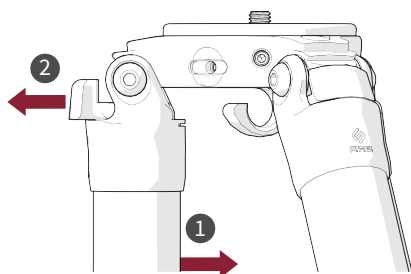
All tripod feet are loose. This gives you the option of swapping the stock feet for Rock Claws or Foot Spikes. Once you have chosen feet to your liking, use one drop of threadlocker fluid to secure feet (included with your tripod).



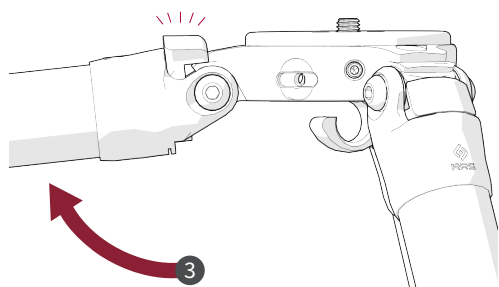
The tripod can be arranged in a variety of positions to accommodate nearly every terrain. Remove column from Quick-Column tripods for ground set; see page 13.

SETTING LEG ANGLES

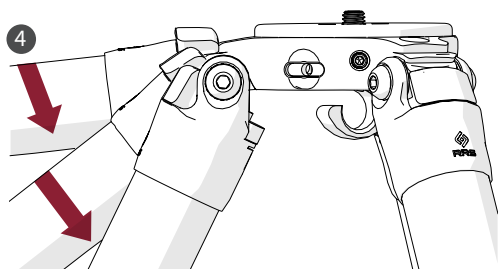
For low-level settings, use the ratcheting Angle Stop as shown below.



1. Swing leg inward slightly.
2. Slide **Angle Stop** out completely. (Slide back in at any time to cancel.)
3. Swing leg to horizontal position. **Angle Stop** will engage.

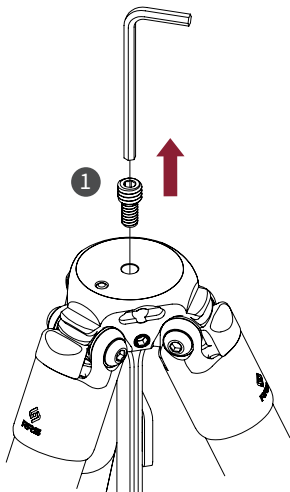


4. Move to desired position. **Angle Stop** will ratchet automatically.

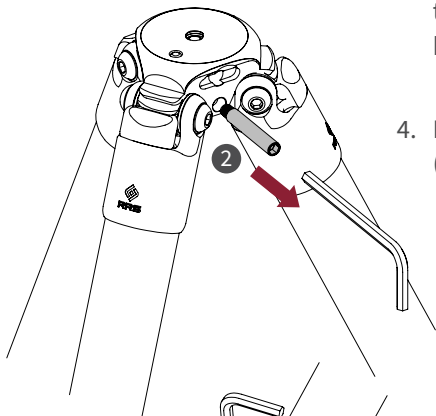


REVERSE THE STUD

The threaded platform stud is dual-threaded $\frac{1}{4}$ "-20 and $\frac{3}{8}$ "-16 and is reversible. Follow the steps to reverse the stud from $\frac{3}{8}$ "-16 to $\frac{1}{4}$ "-20.



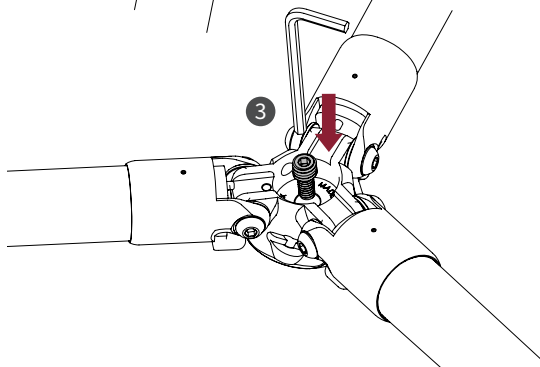
1. Use 5/32" hex key to unscrew and remove the **Stud**.
2. For tripods with fixed apices, the **Strap & Strap Pin** must be removed before the **Stud** can be re-installed. Use 5/32" hex key to unscrew and remove the **Strap Pin**.



3. Turn the tripod upside down. Use 5/32" hex key to re-install the **Stud** by screwing it into the bottom of the apex.
4. Re-install the **Strap & Strap Pin** (not shown).

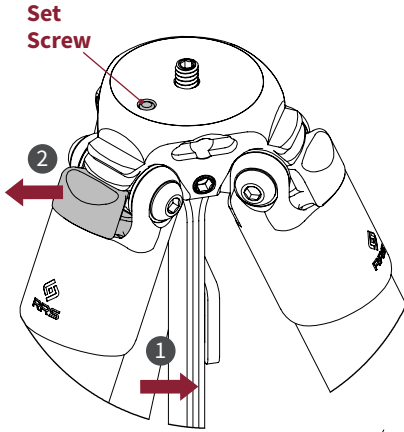


The Stud is not secured with threadlocker fluid at the factory. This allows you to easily reverse it if needed. To semi-permanently secure the Stud in place, use one drop of threadlocker fluid (included with your tripod) on the Stud.

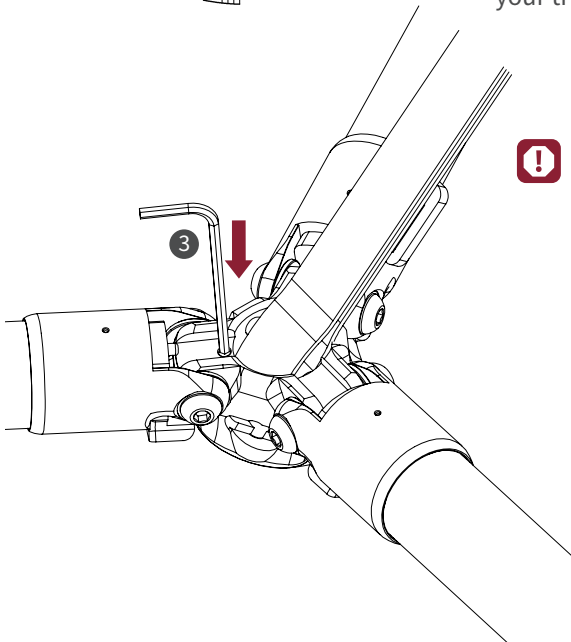


ADJUST THE SET SCREW

The Mk2 tripods with fixed apices come with one Set Screw that can be used to prevent your tripod head from coming loose. For clarity, drawings do not show the tripod head installed to the tripod. Install your tripod head, then follow steps.



1. Swing leg closest to **Set Screw** inward slightly.
2. Pull **Angle Stop** out until it stops, then swing leg completely out.
3. Insert 2.5mm hex key into **Set Screw**, then turn clockwise to tighten it against the bottom of your tripod head.

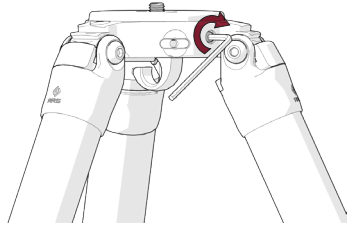


Note that if you tighten the Set Screw it will almost certainly mar the bottom of your tripod head. To semi-permanently install your tripod head and avoid any blemish marks use one drop of threadlocker fluid on the Stud (included with your tripod) when you install your head.

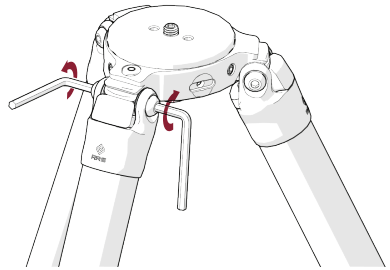
MAINTENANCE

Regular maintenance of your tripod is highly recommended to keep its performance and appearance in top shape. Your tripod is built to last through years of use with proper maintenance and care. Protect your investment by following this guide to good maintenance practices.

» Check SureGrip™ set screws for proper tightness to ensure the Apex accessory is secure. Use provided hex key to make adjustments as necessary.



» When exposing your tripod to mud or saltwater, use a damp towel to wipe down and dry the legs completely before collapsing. Then, disassemble and clean tripod per instructions on page 10.

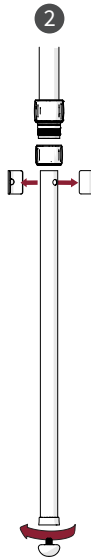
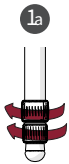


! SAND AND SALTWATER ARE YOUR TRIPOD'S WORST ENVIRONMENTAL ENEMIES. ALWAYS DISASSEMBLE AND CLEAN TRIPOD AFTER EXPOSURE.

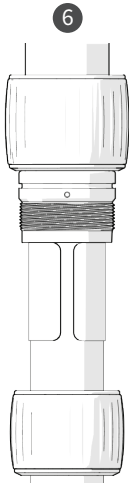
- » Leg bolts should be tight enough to prevent legs from collapsing, but loose enough to open with ease. Use $\frac{3}{16}$ " hex key to make adjustments as necessary.
- » Periodically apply multi-purpose lubricant to the threads of each leg joint. However, never lubricate the carbon fiber legs.
- » Check for metal corrosion. Contact Really Right Stuff for any necessary replacement parts.
- » Always keep your tripod in a protective bag when transporting or storing.
- » Always fully extend the lower leg section during use in sand or mud to prevent contaminating leg joints.

CLEANING

Avoiding harsh environments such as sand and saltwater is essential to preserving the life of your tripod. However, we do understand that sometimes it is unavoidable. Therefore, we have made it simple to disassemble the leg portions for thorough cleaning.

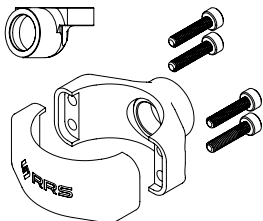


1. Unscrew **Twist Lock** and fully remove leg section.
2. Remove **Twist Lock**, foot, and **Anti-Twist Sleeves**.
3. Wipe down leg, foot, and exposed threads with damp cloth, removing any dirt or debris. Allow to dry.
4. Apply a small amount of multi-purpose grease to the exposed leg threads.
5. Replace **Anti-Twist Sleeves** and **Twist Lock**.
6. Holding **Anti-Twist Sleeves** in place, insert leg into tripod aligning the ribs inside the legs between the **Anti-Twist Sleeves**. Slide leg in completely.
7. Screw **Twist Lock** and foot back into position. Rotate **Twist Lock** back and forth to spread grease.



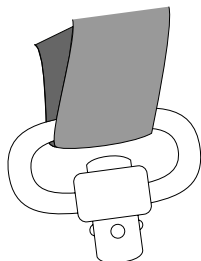
QD STRAP SYSTEM

Look no further for the most clever shoulder strap system for your RRS tripod. This new system incorporates QD “Quick-Detach” mounting hardware and allows the strap to be quickly and easily removed at any time. The system has two parts:*



Two QD Mounts

Apex QD Mount + Leg QD Mount
Leg QD Mounts come in 3 sizes for
RRS Series 1, 2, and 3 tubes.

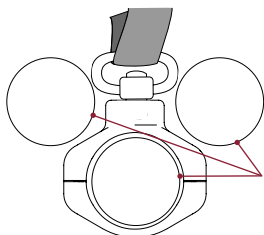


QD-Compatible Strap

Strap must have two QD sling swivels.
Purchase strap with pre-installed QD
swivels, or buy QD swivels separately and
use with your own strap.

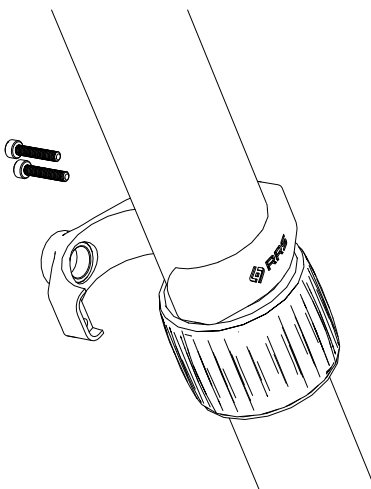
Leg QD Mount

Use included hex key and screws to
install Leg QD Mount to the bottom of
the first leg section. Install so that the QD
socket is facing in, not out. When carrying
the tripod, this leg will face the ground
and the strap will feed up between the
other two legs. The tripod legs will
remain folded together without
the need to tie them.



Side View

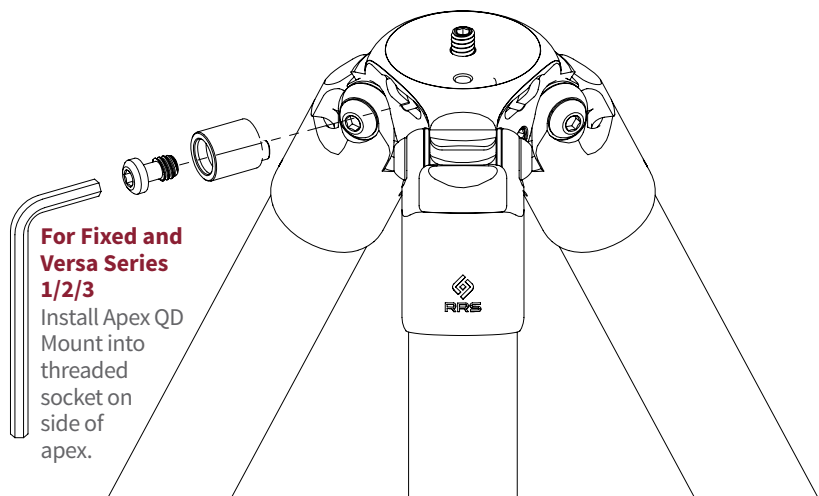
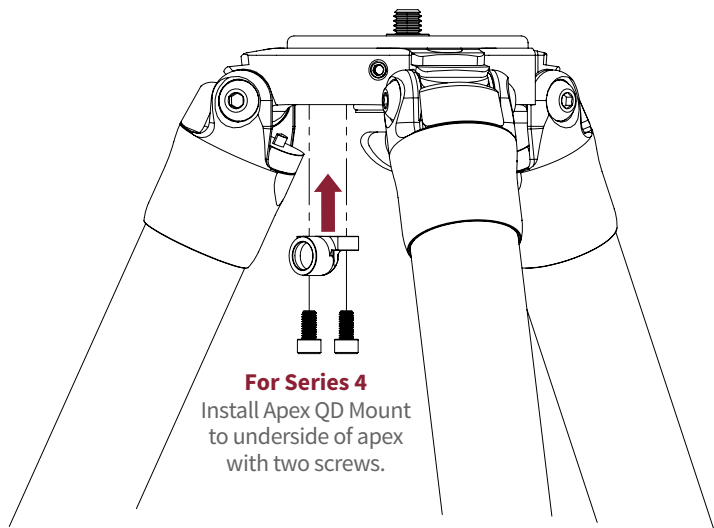
*All 3 tripod legs stay together when
Leg QD Mount is installed correctly.*



* Apex QD Mounts are compatible only with mid-2016 and newer Series 2/3/4 tripods. Series 1 Apex QD Mount is compatible only with the TFC-14 Mk2 (not compatible with TQC-14 Mk2). For other models, do not use Apex QD Mount; instead, install two Leg QD Mounts.

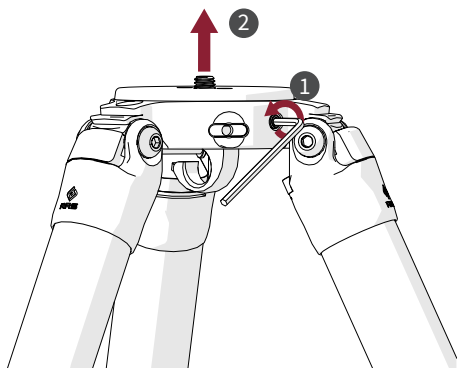
QD STRAP SYSTEM

Apex QD Mount

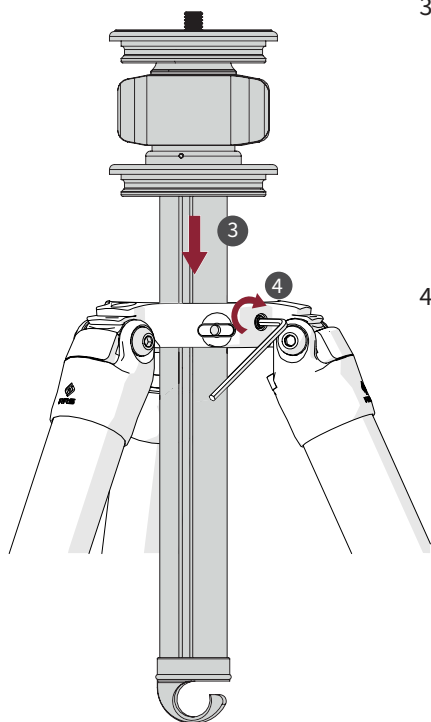


CHANGING APEX ACCESSORIES

Apex Accessories are only available for Mk2 Versa Tripods. Your tripod head must first be removed from the Mounting Stud.



1. Use provided hex key to loosen all three SureGrip™ set screws around Apex. Two rotations are sufficient, complete removal is not required.
2. Remove Apex platform or other accessory by pushing it upward.



3. Insert compatible accessory. NOTE: *Although Gitzo® Systematic accessories will fit Mk2 Versa Series 3 tripods, SureGrip™ functionality is only compatible with Really Right Stuff brand accessories.*
4. Tighten all three SureGrip™ set screws.

'POD ACCESSORIES

Tripod & Monopod Accessories to fill all your photography needs.

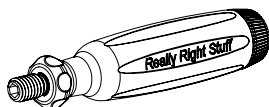
Versa Quick Columns

With integrated SureGrip™



MTX Multi-Tool

The best tool for your tripod.

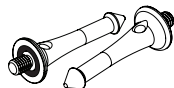


Replacement Feet

Great for tripods & monopods.



TA-3-FRC
Rock Claws for
rocky terrain.



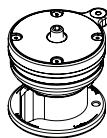
TA-3-FS
Foot Spikes for
shifting terrain.

Leveling Bases

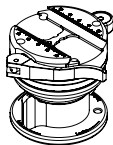
Choose Platform or Clamp

A leveling base on your tripod is the perfect foundation for gimbal heads, pano gear, and even ballheads. Each leveling base offers $\pm 15^\circ$ of leveling capability and locks solidly. Choose a leveling base with a flat platform for direct mounting of a tripod head. Or choose a leveling base with a clamp if you want quick-change convenience for multiple tripod heads on the same tripod.

Universal



TA-U-LB



TA-U-LC

Series 2

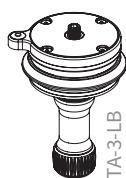


TA-2-LB

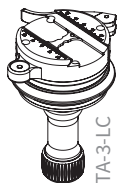


TA-2-LC

Series 3



TA-3-LB

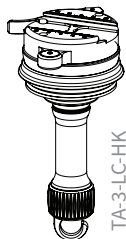


TA-3-LC

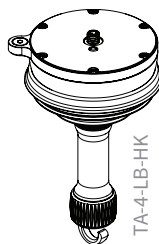
Series 4



TA-3-LB-HK



TA-3-LC-HK



TA-4-LB-HK

THANK YOU

Thank you for purchasing a Really Right Stuff Mark 2 tripod. Many years ago, we set out to create tripods that would exemplify the best in craftsmanship and quality. We are proud to present to you the results of that pursuit. Our 'pods are the culmination of first-hand experience and abundant input from seasoned professionals. Building upon our reputation of high precision CNC manufacturing, we enlisted unsurpassed composite manufacturing talent to bring you what we feel is a carbon fiber masterpiece. We sincerely hope you take a moment to appreciate this beautiful piece of equipment and review this manual to see how you can get the most from your tripod. If you have any questions or comments, please contact us. We love hearing your feedback.

Thanks again, and enjoy.



Joe Johnson

Really Right Stuff

Phone: Toll-free 1-888-777-5557 in the US and Canada

Email: info@reallyrightstuff.com

Web: www.ReallyRightStuff.com

Guarantee: All Really Right Stuff brand products are guaranteed to the original purchaser to be free of defects in materials or workmanship for five (5) years from the date of purchase.

Protected by US Patents: RRS tripods have been granted patents by the United States Patent and Trademark Office. Any party that manufactures, imports, uses, sells, or offers for sale the patented technology without permission/license from Really Right Stuff, LLC, during the term of the patent and within the country that issued the patent, is considered to infringe the patent.

©™© 1990-2018 Really Right Stuff, LLC. All rights reserved.

