



**NATIONAL
GEOGRAPHIC™**

BRESSER®

REFLECTOR TELESCOPE 76/700 EQ



- EN** Operating instructions
- DE** Bedienungsanleitung
- FR** Mode d'emploi
- NL** Handleiding
- IT** Istruzioni per l'uso
- ES** Instrucciones de uso
- PT** Manual de utilização
- PL** Instrukcja obsługi

Art.No.: 9454103

General Information

About This Instruction Manual

Please read the safety instructions in this manual carefully. To avoid damage to the unit and the risk of injury, only use this product as described in the manual. Keep the instruction manual handy so that you can easily look up information on all the functions.



DANGER

You will find this symbol in front of every section of text which deals with the risk of severe injury or even death in the event of improper use.



ATTENTION

You will find this symbol in front of every section of text which deals with the risk of damage to property or the environment.

Intended Use

This product is intended only for private use. It was developed for the magnified display of things in nature.

General Warning



RISK OF BLINDNESS

Never use this device to look directly at the sun or in the direct proximity of the sun. Doing so may result in a risk of blindness.



RISK OF CHOKING

Children should only use the device under adult supervision. Keep packaging material, like plastic bags and rubber bands, out of the reach of children, as they pose a choking hazard.



FIRE RISK

Do not place the device, particularly the lenses, in direct sunlight. The concentration of light could cause a fire.



ATTENTION

Do not disassemble the device. In the event of a defect, please contact your dealer. The dealer will contact the Service Centre and can send the device in to be repaired, if necessary.

Do not expose the device to high temperatures.



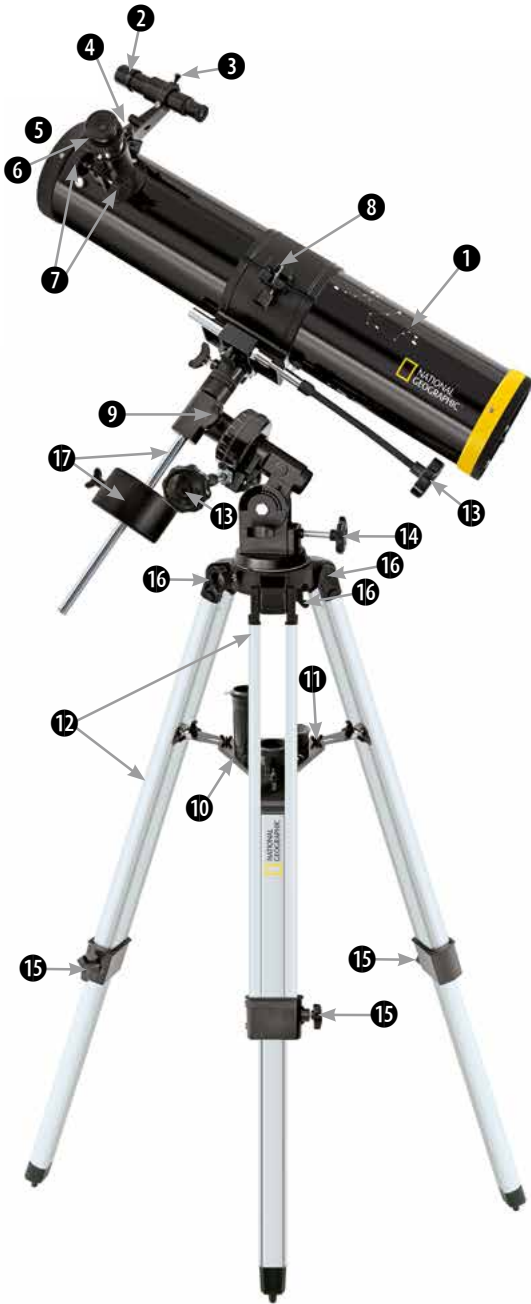
Privacy Protection

This device is intended only for private use. Please heed the privacy of other people. Do not use the device to look into apartments, for example.

Scope of delivery

A		<ul style="list-style-type: none"> 1 Telescope Tube (OTA) 2 Protection cap
B		<ul style="list-style-type: none"> 3 Mount
C		<ul style="list-style-type: none"> 4 Screw for latitude adjustment 5 Viewfinder scope 5x24 6 Handles for fine-adjustment 7 Counterweight rod 8 Erecting lens 1.5X 9 Barlow lens 3X 10 Accessory tray 11 Screws (tripod head) 12 Screws (tripod legs) 13 Screws Accessory tray 14 Screwdriver 15 Smartphone Adaptor 16 Eyepiece 17 Eyepiece 18 Eyepiece + Moon filter
D		<ul style="list-style-type: none"> 19 Counterweight
E		<ul style="list-style-type: none"> 20 Tripod legs
		<ul style="list-style-type: none"> 21 Instruction manual 22 Star map 23 Moon map

Parts - Construction



- ① Telescope optical tube assembly (OTA)
- ② Viewfinder scope
- ③ Adjusting-screws (Viewfinder)
- ④ Viewfinder slide-in
- ⑤ OTA opening
- ⑥ Eyepiece connection
- ⑦ Focus wheel
- ⑧ OTA ring
- ⑨ Mount
- ⑩ Accessory tray
- ⑪ Fastening screws (tray)
- ⑫ Tripod legs
- ⑬ Flexible handles for fine-adjustment
- ⑭ Screw for latitude adjustment
- ⑮ Screws (tripod legs)
- ⑯ Screws (tripod head)
- ⑰ Counterweight + rod

Parts - Accessories



Eyepieces



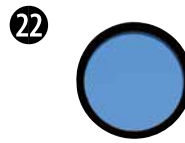
Viewfinder 5x24



Barlow lens 3X



Erecting lens 1.5X



Moon filter



Astro Software via Download



Smartphone Adaptor

- ⑱ Eyepieces: 8/12.5/30 mm
- ⑲ Viewfinder scope 5x24
- ⑳ Barlow lens 3X
- ㉑ Erecting lens 1.5X
- ㉒ Moon filter
- ㉓ Astro Software via Download
- ㉔ Smartphone Adaptor



ASTRONOMY SOFTWARE DOWNLOAD:
www.bresser.de/download/EQ/Astro_Software

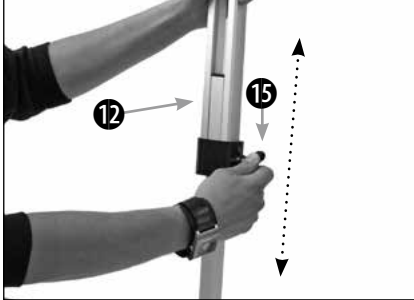
1. General/Location:

Before you begin the assembly, you must choose a suitable location for your telescope. It helps, if you setup this instrument in a location, where a clear view of the skies, a stable footing and sufficient space around you are given.

First, remove all the parts from the packaging. Using the diagram, check whether all the parts are included.

Important: Only tighten the screws up finger tight and thus avoid over tightening them.

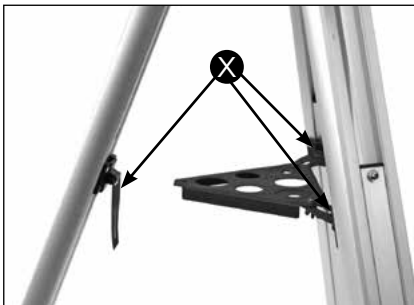
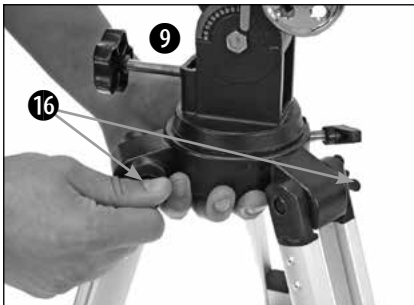
2. Assembly - Tripod-legs:



First, pull out the middle piece of each of the three tripod legs (12) to the desired length.

The locking screws (15) are then inserted into the tripod legs and tightened.

3. Assembly - Mount + tripod:



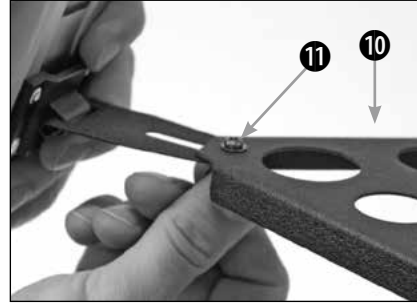
The mount must be attached to the tripod head, so that the mount (9) and the tripod are securely connected.

The screws (16) are inserted with a washer through the hole in the tripod-head and the mounting on the mount. The second washer and the wing nut are screwed on and tightened.

Proceed in the same manner with the two remaining mountings, until the mount and tripod are solidly connected as one.

Make sure that the brackets (X) for the accessory storage tray are on the inside of the tripod legs.

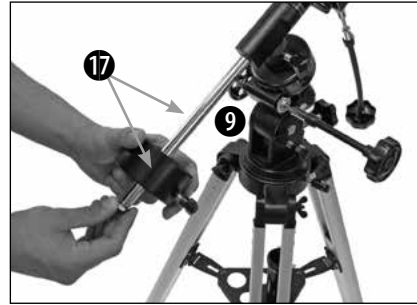
4. Assembly - Accessory tray:



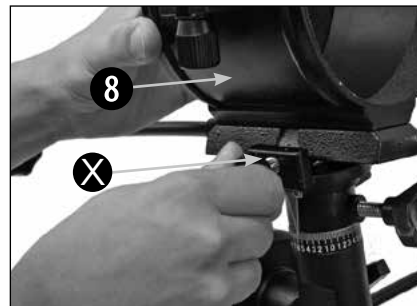
Hold the accessory tray (10) to the tripod brackets on the tripod legs.

Screw the three wing nut bolts (11) from below through the brackets into the accessory tray, securing tight.

5. Assembly - Mount:



First prepare the mount (9), put the counterweight on the counterweight rod (17) and then screw it securely into the mount from below. The necessary screw is packed with the counterweight.



The OTA ring (8) should now be placed on the mount and fixed with the screw (X).

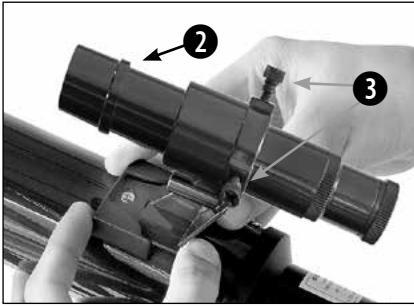
6. Assembly - Tube:



To mount the telescope tube (1) undo the screws on the OTA rings (8) and open up the ring.

Now place the OTA in the centre of the ring. Close the ring and secure the bracket by tightening the screws.

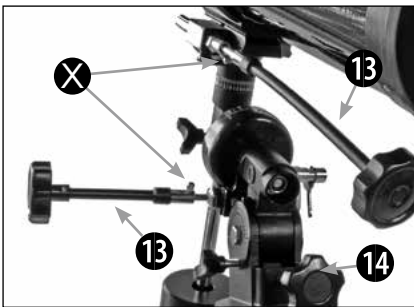
7. Assembly - Viewfinder:



First place the viewfinder scope (2), as indicated, through the finder holder.

Then gently tighten the adjusting screws (3), so that the telescope does not fall out.

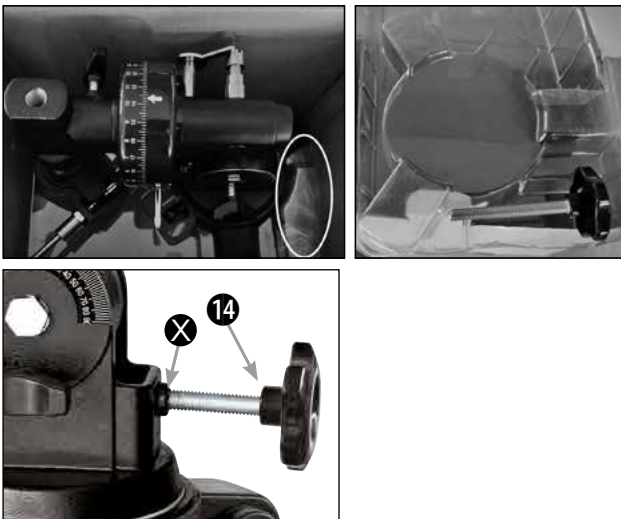
8. Assembly - Flexible handles:



The flexible handles (13) must be attached to the mount (X) in order to make exact and fine adjustments of the declination and the rectascension axis easier to use.

Secure the handles, by solidly turning the screws into the notches on the mount.

9. Assembly - Screw for latitude adjustment:



The screw for latitude adjustment (Pole height) can be found under the last inlay in the accessory box. Attach the screw as shown in the illustration (X).

10. Eyepiece setup:



Three eyepieces are supplied as standard accessories with this telescope.

You can decide which magnification you want to use for your telescope, by interchanging eyepieces. Before you insert the eyepiece, you must remove the dust-protection-cap from the eyepiece connection tube (6).

Loosen the screw (X) on the eyepiece connection tube and insert the eyepiece 30 mm. Retighten the screw (X) on the eyepiece connection tube.

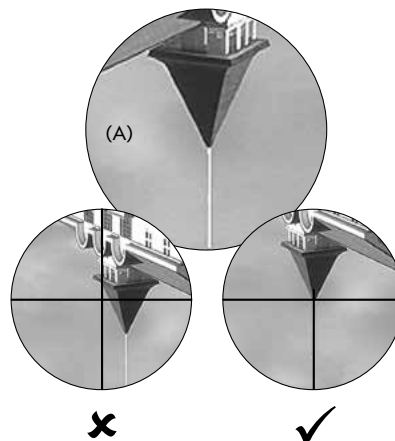
11. Protection-caps:



In order to protect the inside of your telescope from dust and filth, the tube opening is protected by a dust protection cap. For observation remove both caps from the opening.

Important: This telescope should not be used for solar observation. WARNING! NEVER LOOK AT THE SUN! DANGER OF BLINDNESS!

12. View-finder adjustment:



The finder scope must be adjusted before use: it and the OTA tube must be parallel to each other.

Point the telescope (picture: A) at a prominent object about 300 - 500m away using a high magnification eyepiece (for example: eyepiece 8 mm or 12.5 mm).

Now look through the finder and move it by twisting the 6 adjusting screws (3), until you see the object in the middle of the reticle.

The telescope is now ready for use.

Handling of the mount



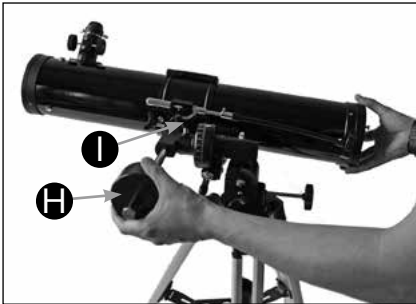
- | | |
|--|--|
| A OTA ring | G Fixing- and adjusting screw latitude-axis |
| B Focus wheel | H Counterweight |
| C Scale of the declination-axis | I Fixing screw of the rectascension-axis |
| D Fixing screw of the declination-axis | J Rectascension attitude |
| E Fine-adjustment of the declination-axis | K Fine-adjustment of the rectascension-axis |
| F Scale of the latitude-axis | L Fixing screw horizontal alignment |

13. Handling - Getting Ready:

A dark location is very important for most observations, because disturbing lights can impair your night vision.

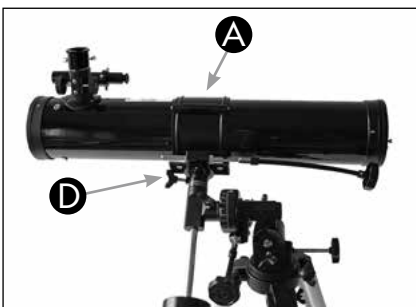
Do not observe from enclosed areas. We recommend setting up your telescope at least 30 mins before beginning your observation, in order to guarantee a temperature balance. You should also make sure that the telescope is placed on a stable and even ground. It is best if you accustom yourself with the telescope and get used to its features during the day. This will enable you to better use your telescope.

14. Handling - Balance:



To avoid damages to sensitive parts of the mount, the two axis must now be balanced before observation.

By loosening the fixing screws (I) and tilting the weight rod into a horizontal position the rectascension axis can be balanced. Now adjust the counterweight (H) on the rod, until the OTA and the weight remain in a horizontal position. Retighten the fixing screw (I) on the rectascension axis.



The declination axis can be balanced by loosening the fixing screw (D) on the declination axis. Then the screws on the OTA bracket (A) must be loosened. Then move the tube as long as it remains in a horizontal position.

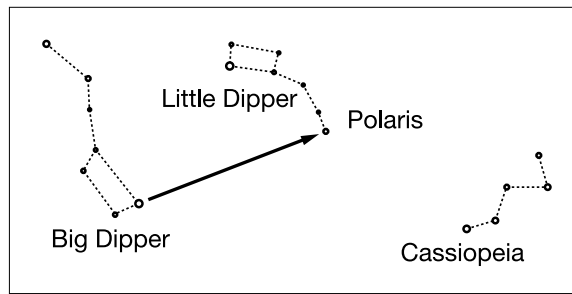
Do not forget to retighten the fixing screws.

15. Handling - Alignment:

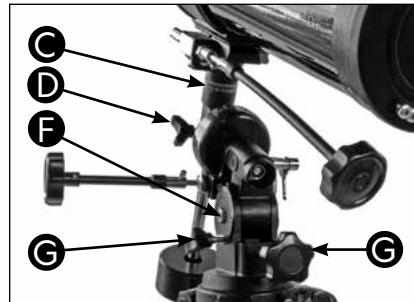


Now point the entire telescope with the OTA opening at the front, towards north. Use a compass if you have one.

To do this, you have to loosen the locking screw (L). Then you can turn the telescope OTA in accurate northern direction. Retighten the locking screw (L).



16. Handling - Latitude:



Now adjust the latitude axis (F) (Poleheight), by loosening the fixing screw (G). Change the angle by using the adjustment screw (G). The degree at which you set the axis depends on the degree of latitude of your location (for example London 51°, Dublin 53°, Glasgow 56°, Manchester 53°, Birmingham 52°, Cork 52°).

Do not forget to retighten the fixing screw.

Then set the declination axis (C), by opening and closing the fixing screw (D), to 90°. The telescope is aligned in parallel with the earth's axis.

TIP: The degrees of latitude of your exact location can always be found in an atlas, on the right or left edge of a map or on the internet.

17. Handling - Viewfinder:



The telescope is now roughly aligned and adjusted. In order to obtain a comfortable observation position, you should loosen the screws on the OTA bracket (A), so that you can rotate the telescope tube. Bring the eyepiece and the viewfinder into a position in which it is comfortable for you to look through both. The fine alignment is done by using the finder scope. Look through the finder scope and center Polaris in the middle of the finder scope.



Use the flexible handles of the rectascension axis (K) and of the declination axis (E) for fine adjustments. Important: The declination handle (E) is only adjustable to a maximum of approximately 30 degrees.

18. Handling - Observation:



After locating Polaris in the view finder, look through the eyepiece, Polaris should be visible.

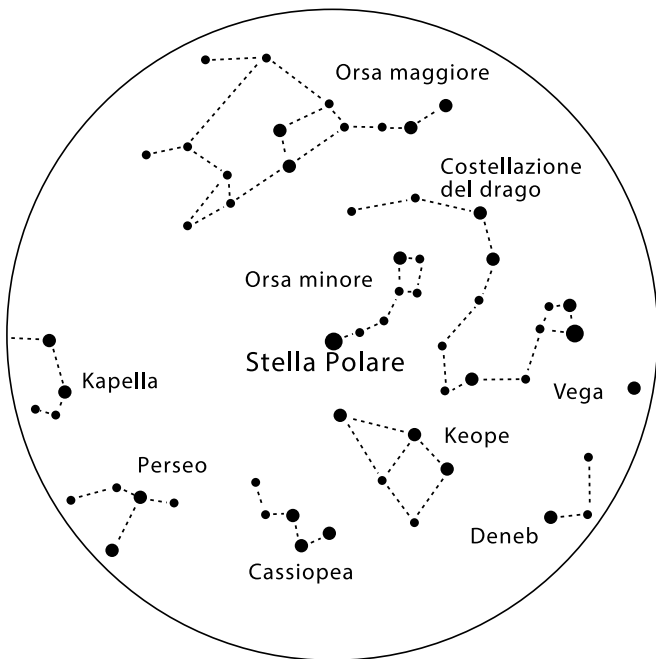
If necessary, you can align the star more precisely with the help of the flexible handles, just as you can adjust the focus by using the focussing wheel (B).

When properly focused, the star should then appear point-shaped.

You may now also interchange eyepieces to increase or decrease magnification.

TIP: Begin each observation with an eyepiece of a low magnification (30mm).

19. Handling - Find a star:



Initially it will be difficult for you to find your bearings in the night sky, since the stars and the constellations always appear to be moving and according to season, date and time their position in the sky will change. The North star, also known as Polaris (Stella Polare), is the exception. It is a fixed star and the starting point for all star maps in the northern hemisphere.

To begin, you should look at some well known constellations and star group orders that are visible the whole year over. The position of the celestial objects depend on date and time.

If you have aligned your telescope accurately on one of these stars, you will find that it vanishes out of your visual field after a few minutes. To even out this effect, you must turn the flexible handle (K) the rectascension axis and your telescope will follow the trajectory of this star.

20. Handling - Accessories:

Your telescope is supplied with 3 eyepieces. By interchanging the eyepieces you can alter the magnification of your telescope. For best performance, the maximal recommended magnification is 152X.

Hint:
 Focal length / Eyepiece = Magnification
 700 mm / 30 mm = **23 x**

Using Erecting lens 1.5x:
 700 mm / 8 mm = 87.5x x 1.5 = **131x**

By using the Barlow lens you can triple the magnification of each of the eyepieces.

Using Barlow lens 3x:
 700 mm / 8 mm = 87.5x x 3 = **262x**

21. Handling - Dismantling:

After a hopefully interesting and successful observation, it is recommended that you store the entire telescope in a dry, well aired area.

Do not forget to put the dust-protection-caps onto the OTA opening and onto the eyepiece connection. Also, you should stow all the eyepieces and optical accessories into their corresponding containers.

21. Smartphone Adaptor:



Open the flexible holder and put your smartphone in it. Close the holder and make sure your phone is properly secured. The camera must be positioned exactly above the eyepiece. Open the locking clip on the back of the holder and fit the eyepiece exactly onto your smartphone camera. Now retighten the locking clip and attach the smartphone adaptor to the eyepiece of your telescope. Now start the camera app. If the image is not yet centered on your display, loosen the locking clip slightly and readjust. It may be necessary to use the zoom function to fill the image on the display. A slight shading at the edges is possible. Remove the smartphone from the holder after use!

WARNING

Make sure that the smartphone can not slip out of the holder. Bresser GmbH assumes no liability for any damages caused by a dropped smartphone.

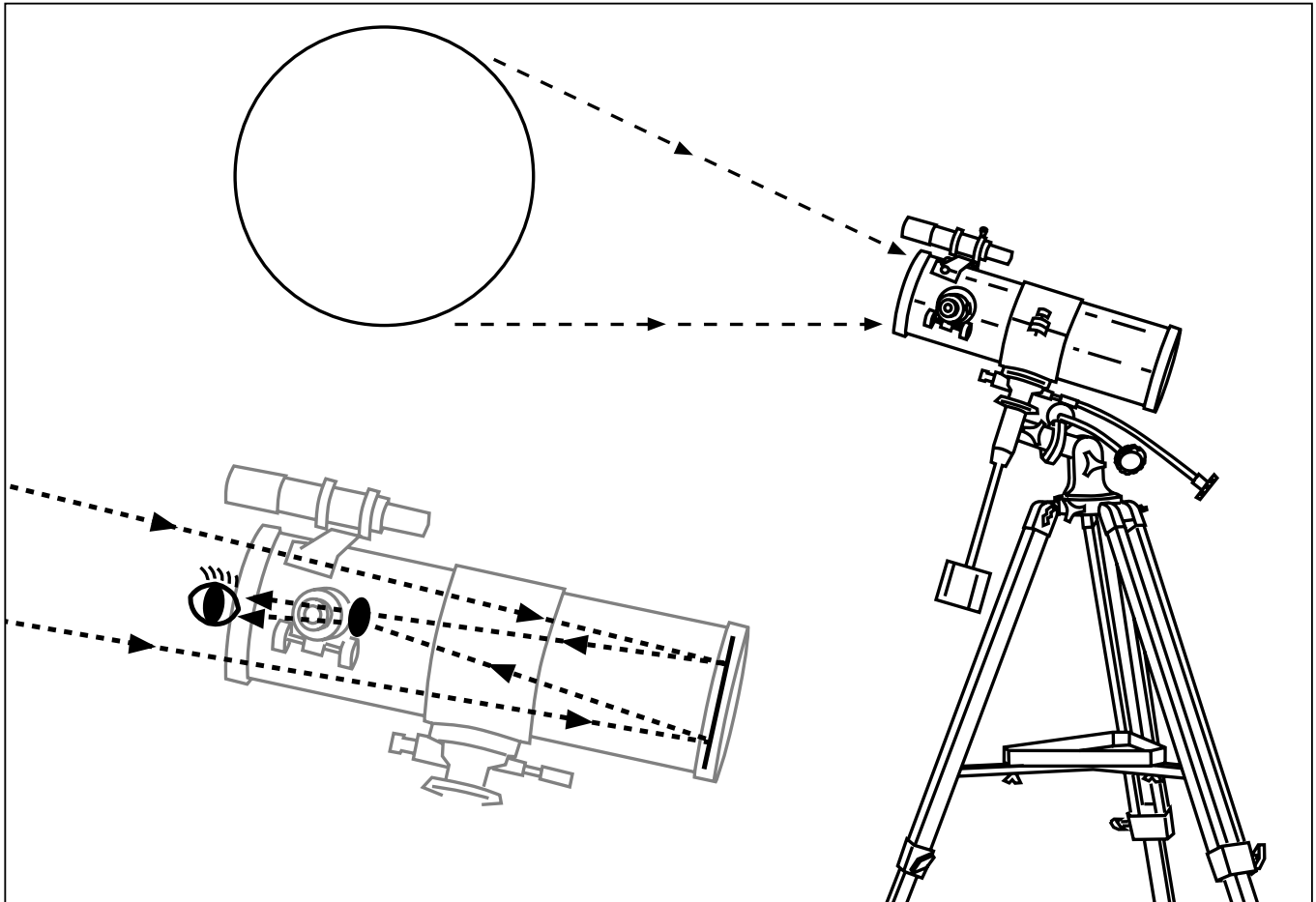
23. Handling - Care:

Your telescope is a high quality optical instrument. The telescope should not come into contact with dust or moisture.

If dirt or dust should nevertheless have come into contact with your telescope, you should first remove it with a soft brush and then clean the soiled position with a soft cloth.
The best way to remove fingerprints from the optical surfaces is with a lint free, soft cloth, which you have previously treated with some alcohol.

If dust or moisture has gotten inside your telescope, do not try to clean it yourself, you should send it to your service center.

Principle - Reflector-telescope:



24. Astronomy-Software - Download:

The astronomy software Stellarium is available for download at:
www.bresser.de/download/EQ/Astro_Software

Stellarium_Manual

Download the PDF of the manual in your language.

Stellarium_Software

Windows: Download and run the setup file with the extension .exe
MacOS: Download and run the setup file with the extension .dmg



Download

Technical Data

Telescope:

Focal length: 694.2 mm

Clear aperture: 75.2 mm

Viewfinder:

Magnification: 5x

Diameter: 24 mm

Field of View: 5.8°

Accessories:

Eyepieces: 8 + 12.5 + 30 mm

Viewfinder scope 5x24

Erecting lens 1.5X

Barlow lens 3X

Aluminium tripod

EQ-3 mount

Magnification:

Eyepiece 30 mm: 23X

Eyepiece 12.5 mm: 56X

Eyepiece 8 mm: 87.5X

Magnification with 1.5X Erecting lens:

Eyepiece 30 mm: 35X

Eyepiece 12.5 mm: 84X

Eyepiece 8 mm: 131X

Magnification with Barlow lens 3X:

Eyepiece 30 mm: 70X

Eyepiece 12.5 mm: 168X

Eyepiece 8 mm: 262X

Erecting lens and Barlow lens SHOULD NOT BE USED TOGETHER.

Troubleshooting:

Mistakes:

No image

Blurred picture

No focus possible

Bad picture

Viewing object visible
in the finder, but not
through the telescope

Heaviness in the flexible
handles on the axis
over the shaft

Blurred picture

Help:

Remove dust-protection-cap from
the objective opening.

Adjust focus using focus wheel

Wait for temperature to balance out

Never observe through a glass surface

Adjust finder (See Assembly: Point 12)

Telescope and counter weight are not
balanced

Check the adjustment of the main mirror

Telescope ABC:

What do the following terms mean?

Barlow Lens:

The Barlow lens was named after its inventor, Peter Barlow, a British mathematician and physicist who lived from 1776–1862. The lens can be used to increase the focal width of a telescope. Depending on the type of lens, it is possible to double or even to triple the focal width. As a result, the magnification can also be increased. Also, see Eyepiece. This telescope has a 3X Barlow lens.

Focal length:

Everything that magnifies an object via an optic (lens) has a certain focal length. The focal length is the length of the path the light travels from the surface of the lens to its focal point. The focal point is also referred to as the focus. In focus, the image is clear. In the case of a telescope, the focal widths of the telescope tube and the eyepieces are combined.

Lens:

The lens bends the light which falls on it in such a way that the light creates a clear image at the focal point, after it has traveled a certain distance (focal length).

Eyepiece:

An eyepiece is a viewing system comprised of one or more lenses. The eyepiece magnifies the clear image generated at the focal point of a lens.

Magnification:

The magnification corresponds to the difference between observation with the naked eye and observation through a magnification apparatus (e.g. a telescope). Observation with the naked eye is considered single, or 1X magnification. Accordingly, if a telescope has a magnification of 30X, then an object viewed through the telescope will appear 30 times larger than it would with the naked eye. Also see Eyepiece.

! NOTES on cleaning

Clean the eyepieces and lenses only with a soft, lint-free cloth, like a microfibre cloth. To avoid scratching the lenses, use only gentle pressure with the cleaning cloth.

To remove more stubborn dirt, moisten the cleaning cloth with an eyeglass-cleaning solution and wipe the lenses gently.

Protect the device from dust and moisture. After use, particularly in high humidity, let the device acclimatize for a short period of time, so that the residual moisture can dissipate before storing. Remove the dust cover and store it in the included bag during use.

**DISPOSAL**

Dispose of the packaging materials properly, according to their type, such as paper or cardboard. Contact your local waste-disposal service or environmental authority for information on the proper disposal.

Please take the current legal regulations into account when disposing of your device. You can get more information on the proper disposal from your local waste-disposal service or environmental authority.

WARRANTY

The regular warranty period is 2 years and begins on the day of purchase. To benefit from an extended voluntary guarantee period as stated on the gift box, registration on our website is required.

You can consult the full warranty terms as well as information on extending the warranty period and details of our services at www.bresser.de/warranty_terms.

Allgemeine Informationen

Zu dieser Anleitung

Lesen Sie bitte aufmerksam die Sicherheitshinweise in dieser Anleitung. Verwenden Sie dieses Produkt nur wie in der Anleitung beschrieben, um Schäden am Gerät oder Verletzungen zu vermeiden. Bewahren Sie die Bedienungsanleitung auf, damit Sie sich jederzeit über alle Bedienungsfunktionen neu informieren können.

GEFAHR!
Dieses Zeichen steht vor jedem Textabschnitt, der auf Gefahren hinweist, die bei unsachgemäßer Anwendung zu schweren Verletzungen oder sogar zum Tode führen.

ACHTUNG!
Dieses Zeichen steht vor jedem Textabschnitt, der auf Sach- oder Umweltschädigungen bei unsachgemäßer Anwendung hinweist.

Verwendungszweck

Dieses Produkt dient ausschließlich der privaten Nutzung. Es wurde entwickelt zur vergrößerten Darstellung von Naturbeobachtungen.

Allgemeine Warnhinweise

ERBLINDUNGSGEFAHR!
Schauen Sie mit diesem Gerät niemals direkt in die Sonne oder in die Nähe der Sonne. Es besteht ERBLINDUNGSGEFAHR!

ERSTICKUNGSGEFAHR!!
Kinder dürfen das Gerät nur unter Aufsicht benutzen. Verpackungsmaterialien (Plastiktüten, Gummibänder, etc.) von Kindern fernhalten! Es besteht ERSTICKUNGSGEFAHR!






BRANDGEFAHR!
Setzen Sie das Gerät – speziell die Linsen – keiner direkten Sonneneinstrahlung aus! Durch die Lichtbündelung könnten Brände verursacht werden.

ACHTUNG!
Bauen Sie das Gerät nicht auseinander! Wenden Sie sich im Falle eines Defekts an Ihren Fachhändler. Er nimmt mit dem Service-Center Kontakt auf und kann das Gerät ggf. zwecks Reparatur einschicken.

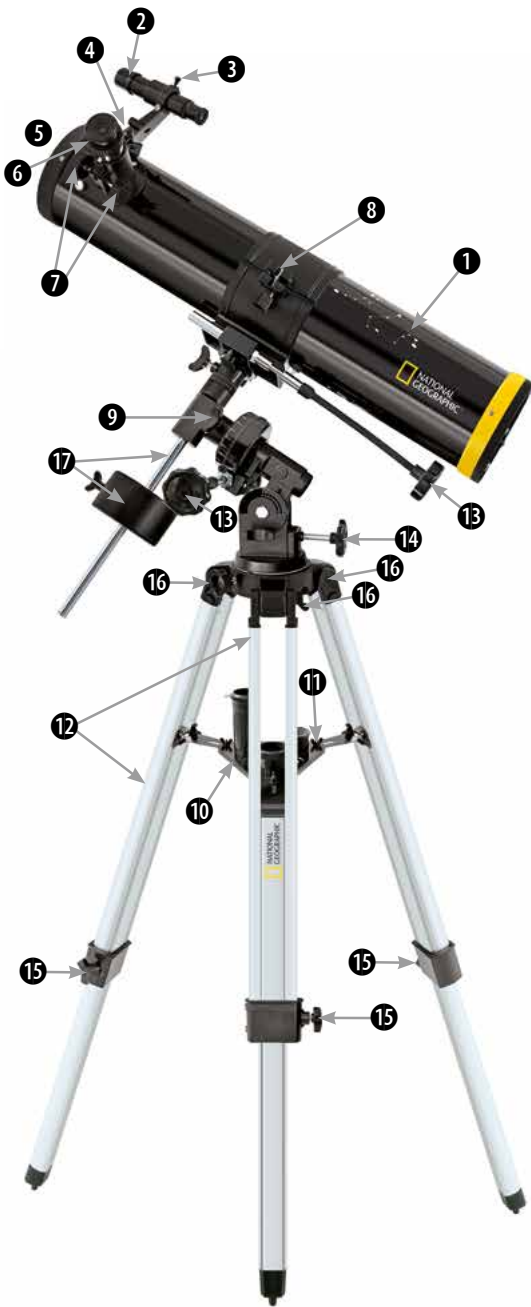
Setzen Sie das Gerät keinen hohen Temperaturen aus.

SCHUTZ der Privatsphäre!
Das Gerät ist für den Privatgebrauch gedacht. Achten Sie die Privatsphäre Ihrer Mitmenschen – schauen Sie mit diesem Gerät zum Beispiel nicht in Wohnungen!

Lieferumfang

A		<ul style="list-style-type: none"> 1 Teleskop-Tubus (OTA) 2 Schutzkappe
B		<ul style="list-style-type: none"> 3 Montierung
C		<ul style="list-style-type: none"> 4 Schraube zur Breitengradeinstellung 5 5x24 Sucherfernrohr 6 Griffe zur Feineinstellung 7 Stange für Gegengewicht 8 1,5-fache Umkehrlinse 9 3-fache Barlow-Linse 10 Zubehörablage 11 Schrauben Stativkopf 12 Schrauben Stativbeine 13 Schrauben Zubehörablage 14 Schraubenzieher 15 Smartphone-Halterung 16 Okular 17 Okular 18 Okular + Mondfilter
D		<ul style="list-style-type: none"> 19 Gegengewicht
E		<ul style="list-style-type: none"> 20 Stativbeine
		<ul style="list-style-type: none"> 21 Bedienungsanleitung 22 Sternkarte 23 Mondkarte

Teile - Aufbau



- ① Teleskop-Tubus (OTA)
- ② Sucherfernrohr
- ③ Justierschrauben (Sucherfernrohr)
- ④ Sucherfernrohr-Einschub
- ⑤ Tubus-Öffnung (OTA)
- ⑥ Okulareinschub
- ⑦ Fokussierad
- ⑧ OTA-ring (Tubusing / Rohrschelle)
- ⑨ Montierung
- ⑩ Zubehörablage
- ⑪ Befestigungsschrauben (Ablage)
- ⑫ Stativbeine
- ⑬ Griffe zur Feineinstellung
- ⑭ Schraube zur Breitengradeinstellung
- ⑮ Schrauben (Stativbeine)
- ⑯ Schrauben (Stativkopf)
- ⑰ Gegengewicht + Stange

Teile - Zubehör



Okulare



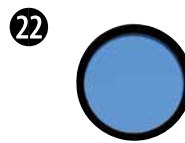
Sucherfernrohr 5x24



3-fache Barlow-Linse



1,5-fache Umkehrlinse



Mondfilter



Astro-Software zum Herunterladen



Smartphone-Halterung

- ⑱ Okulare: 8/12,5/30 mm
- ⑲ Sucherfernrohr 5x24
- ⑳ 3-fache Barlow-Linse
- ㉑ 1,5-fache Umkehrlinse
- ㉒ Mondfilter
- ㉓ Astronomie-Software zum Herunterladen
- ㉔ Smartphone-Halterung



ASTRONOMIE SOFTWARE DOWNLOAD:

www.bresser.de/download/EQ/Astro_Software

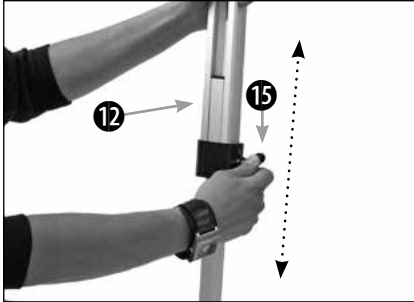
1. Allgemeines/Standort:

Bevor Sie mit dem Aufbau beginnen, wählen Sie einen geeigneten Standort für Ihr Teleskop. Es wird Ihnen helfen, wenn Sie dieses Gerät an einem Ort aufbauen, an dem Sie gute Sicht auf den Himmel, einen stabilen Untergrund und genügend Platz haben.

Nehmen Sie zuerst alle Teile aus der Verpackung. Überprüfen Sie anhand des Schaubildes, ob alle Teile vorhanden sind.

Hinweis: Ziehen Sie alle Schrauben nur „handfest“ an und vermeiden Sie so „Überdrehen“ der Schrauben.

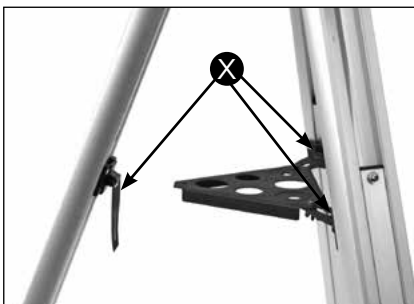
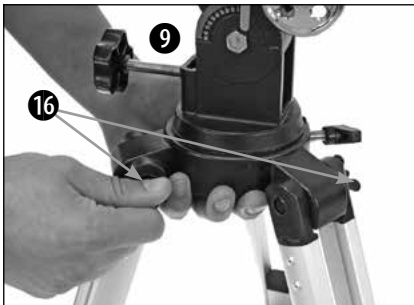
2. Aufbau- Stativbeine:



Zuerst ziehen Sie das Mittelstück jedes der drei Stativbeine (12) auf die gewünschte Länge heraus.

Die Feststellschrauben (15) werden dann in die Stativbeine eingesetzt und angezogen.

3. Aufbau - Montierung + Stativ:



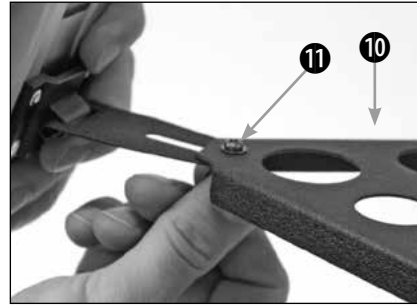
Die Halterung muss am Stativkopf befestigt werden, damit die Halterung (9) und das Stativ sicher verbunden sind.

Die Schrauben (16) werden mit einer Unterlegscheibe durch die Bohrung im Stativkopf und die Befestigung an der Halterung eingeführt. Die zweite Scheibe und die Flügelmutter werden handfest angeschraubt.

Gehen Sie mit den beiden verbleibenden Halterungen genauso vor, bis die Halterung und das Stativ fest miteinander verbunden sind.

Achten Sie darauf, dass sich die Halterungen (X) für die Zubehörablage auf der Innenseite der Stativbeine befinden.

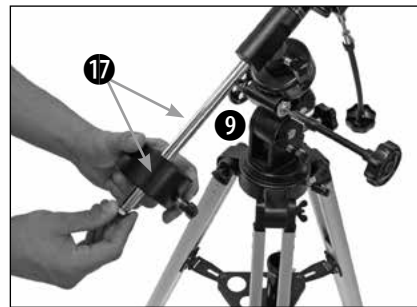
4. Aufbau - Zubehörablage:



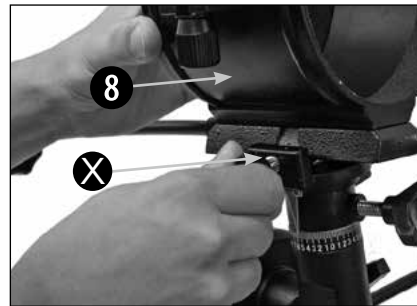
Halten Sie die Zubehörablage (10) an die Stativhalterungen der Stativbeine.

Schrauben Sie die drei Flügelmutter (11) von unten durch die Halterungen in die Zubehörablage handfest an.

5. Aufbau - Montierung:

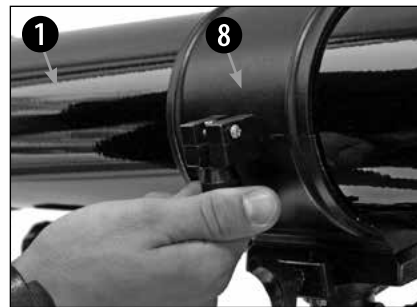


Zuerst die Halterung (9) vorbereiten. Dazu das Gegengewicht auf die Gegengewichtsstange (17) legen und dann von unten fest in die Halterung einschrauben.



Der OTA-Ring (8) sollte nun auf die Halterung aufgesetzt und mit der Schraube (X) befestigt werden.

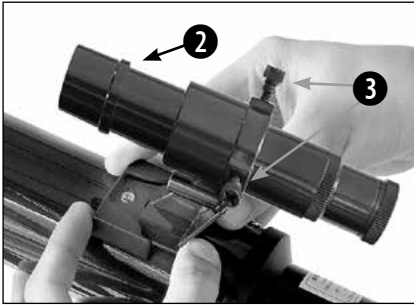
6. Aufbau - Tubus:



Zur Montage des Teleskoprohres (1) die Schrauben vom OTA-Ring (8) lösen und den Ring öffnen.

Platzieren Sie nun den Tubus in der Mitte des Rings. Schließen Sie den Ring und sichern Sie die Halterung durch Anziehen der Schrauben.

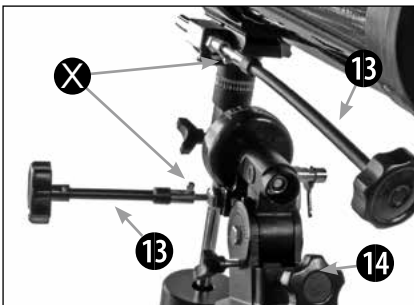
7. Aufbau - Sucherfernrohr:



Schieben Sie zunächst das Sucherfernrohr (2), wie angegeben, in den Sucherhalter.

Ziehen Sie dann die Einstellschrauben (3) vorsichtig an, damit der Sucher nicht herausfällt.

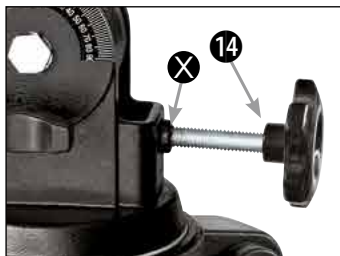
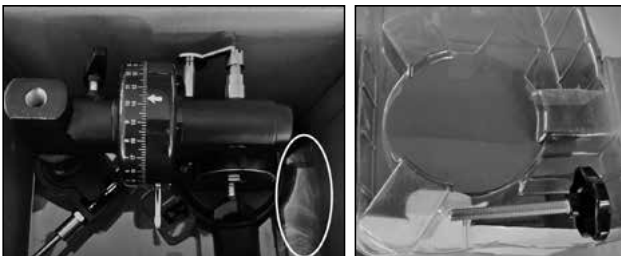
8. Aufbau - Griffe zur Feineinstellung:



Die Griffe zur Feineinstellung (13) müssen an der Halterung (X) befestigt werden, um die Deklination und die Rektaszensionsachse exakt und fein einzustellen.

Sichern Sie die Griffe, indem Sie die Schrauben fest in die Kerben der Halterung drehen.

9. Aufbau - Schraube zur Breitengradeinstellung:



Die Schraube zur Breitengradeinstellung (Polhöhe) finden Sie unter der letzten Einlage im Zubehörkarton B. Bringen Sie die Schraube wie an der abgebildeten Stelle (X) an.

10. Okulareinstellung:



Drei Okulare werden bei diesem Teleskop als Standardzubehör mitgeliefert.

Sie können entscheiden, welche Vergrößerung Sie für Ihr Teleskop verwenden möchten, indem Sie die Okulare austauschen. Vor dem Einsetzen des Okulars müssen Sie die Staubschutzkappe aus dem Okulareinschub (6) entfernen.

Lösen Sie die Schraube (X) am Okulareinschub und setzen Sie das Okular 30 mm ein. Ziehen Sie die Schraube (X) am Okulareinschub wieder an.

11. Schutzkappe:

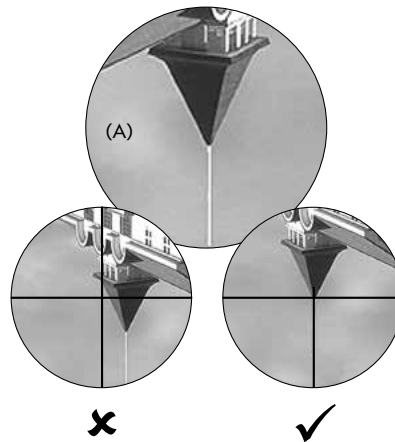


Um das Innere Ihres Teleskops vor Staub und Schmutz zu schützen, ist die Rohröffnung durch eine Staubschutzkappe geschützt.

Zur Beobachtung beide Kappen aus der Öffnung entfernen.

Wichtig: Dieses Teleskop sollte nicht für die Sonnenbeobachtung verwendet werden.
WARNUNG! NIEMALS MIT DIESEM TELESKOP DIE SONNE ANSEHEN!
ERBLINDUNGSGEFAHR!

12. Einstellung des Sucherfernrohrs:



Das Sucherfernrohr muss vor dem Einsatz eingestellt werden: Es muss parallel zum Tubus (OTA-Röhre) ausgerichtet werden. Richten Sie das Teleskop aus (Bild: A) mit einem Okular mit hoher Vergrößerung (z.B. ein 8 mm oder 12,5 mm Okular) auf ein markantes Objekt in ca. 300 - 500 m Entfernung. Schauen Sie nun durch den Sucher und bewegen Sie ihn durch Drehen der 6 Einstellschrauben (3), bis Sie das Objekt in der Mitte des Fadenkreuzes sehen.

Das Teleskop ist nun einsatzbereit.

Handhabung der Halterung



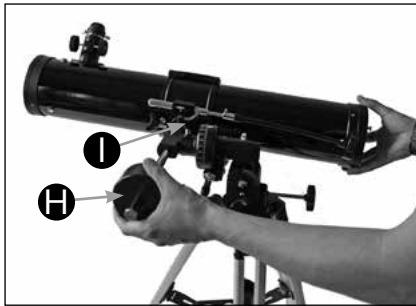
- | | |
|---|---|
| A OTA-ring (Tubusing / Rohrschelle) | G Befestigungs- und Justierschraube für die Breitengradachse |
| B Fokussierad | H Gegengewicht |
| C Skala der Deklinationsachse | I Befestigungsschraube der Rektaszensionsachse |
| D Befestigungsschraube der Deklinationsachse | J Einstellung zur Rektaszension |
| E Feineinstellung der Deklinationsachse | K Feineinstellung der Rektaszensionsachse |
| F Skala der Breitengrad-Achse | L Befestigungsschraube horizontale Ausrichtung |

13. Handhabung - Vorbereitung:

Ein dunkler Ort ist für die meisten Beobachtungen sehr wichtig, da störende Lichter Ihre Nachtsicht beeinträchtigen können.

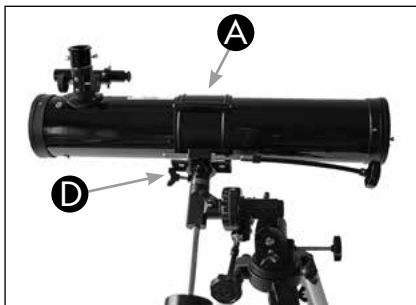
Nicht aus geschlossenen Räumen beobachten. Wir empfehlen, Ihr Teleskop mindestens 30 Minuten vor Beginn der Beobachtung aufzustellen, um einen Temperatursgleich zu ermöglichen. Sie sollten auch darauf achten, dass das Teleskop auf einem stabilen und ebenen Boden steht. Es ist am besten, wenn Sie sich mit dem Teleskop vertraut machen und sich tagsüber an die Funktionsweise gewöhnen. Dies wird es Ihnen ermöglichen, Ihr Teleskop besser zu nutzen.

14. Handhabung - Gleichgewicht:



Um Schäden an empfindlichen Teilen der Halterung zu vermeiden, müssen die beiden Achsen vor der Beobachtung ausgeglichen werden.

Durch Lösen der Befestigungsschrauben (I) und Kippen der Gewichtsstange in eine horizontale Position kann die Rektaszensionsachse ausgeglichen werden. Setzen Sie nun das Gegengewicht (H) auf die Stange, bis der Tubus (OTA) und das Gewicht in horizontaler Position bleiben. Ziehen Sie die Befestigungsschraube (I) an der Rektaszensionsachse wieder an.



Die Deklinationsachse kann durch Lösen der Befestigungsschraube (D) an der Deklinationsachse ausgeglichen werden. Anschließend müssen die Schrauben an der Tubus-Halterung (A) gelöst werden. Bewegen Sie dann das Rohr, solange es in horizontaler Position bleibt.

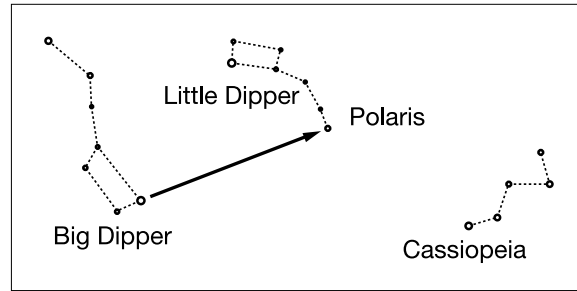
Vergessen Sie nicht, die Befestigungsschrauben wieder anzuziehen.

15. Handhabung - Ausrichtung:

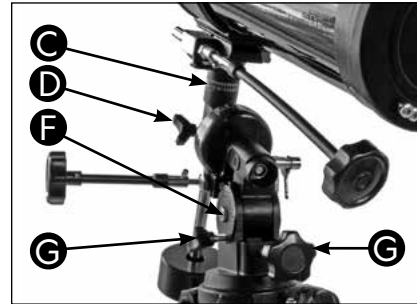


Richten Sie nun das gesamte Teleskop mit der Tubus-Öffnung nach vorne, nach Norden aus. Verwenden Sie einen Kompass, wenn Sie einen haben.

Dazu müssen Sie die Feststellschraube (L) lösen. Sie können nun den Teleskop Tubus (OTA) in Nordrichtung drehen. Ziehen Sie die Feststellschraube (L) wieder an.



16. Handhabung - Breitengrad:



Stellen Sie nun die Breitengrad-Achse (F) (Polhöhe) ein, indem Sie die Justierschraube (G) lösen. Ändern Sie den Winkel mit Hilfe der Justierschraube (G).

Der Grad, in dem Sie die Achse einstellen, hängt vom Breitengrad Ihrer Position ab (z.B. Berlin 52°, München 48°, Hamburg 53°, Köln 51°, Frankfurt/Main 50°). Vergessen Sie nicht, die Befestigungsschraube wieder anzuziehen. Stellen Sie dann die Deklinationsachse (C) durch Öffnen und Schließen der Befestigungsschraube (D) auf 90° ein. Das Teleskop ist parallel zur Erdachse ausgerichtet.

TIPP: Den Breitengrad Ihrer genauen Position finden Sie immer in einem Atlas, am rechten oder linken Rand einer Karte oder im Internet.

17. Handhabung - Sucherfernrohr:



Das Teleskop ist nun weitgehend ausgerichtet und eingestellt. Um eine komfortable Beobachtungsposition zu erreichen, sollten Sie die Schrauben an der Tubus-Halterung (A) lösen, damit Sie das Teleskoprohr drehen können. Bringen Sie das Okular und den Sucher in eine Position, in der es für Sie bequem ist, durch beide zu schauen.



Die Feinausrichtung erfolgt mit Hilfe des Sucherfernrohrs. Schauen Sie durch das Sucherfernrohr und zentrieren Sie Polaris in der Mitte des Suchers. Verwenden Sie die Griffe zur Feineinstellung der Rektaszensionsachse (K) und der Deklinationsachse (E) für Feineinstellungen.

Hinweis: Der Deklinationsgriff (E) ist nur bis maximal ca. 30 Grad verstellbar.

18. Handhabung - Beobachtung:



Nachdem Sie Polaris im Sucher lokalisiert haben, schauen Sie durch das Okular, Polaris sollte sichtbar sein.

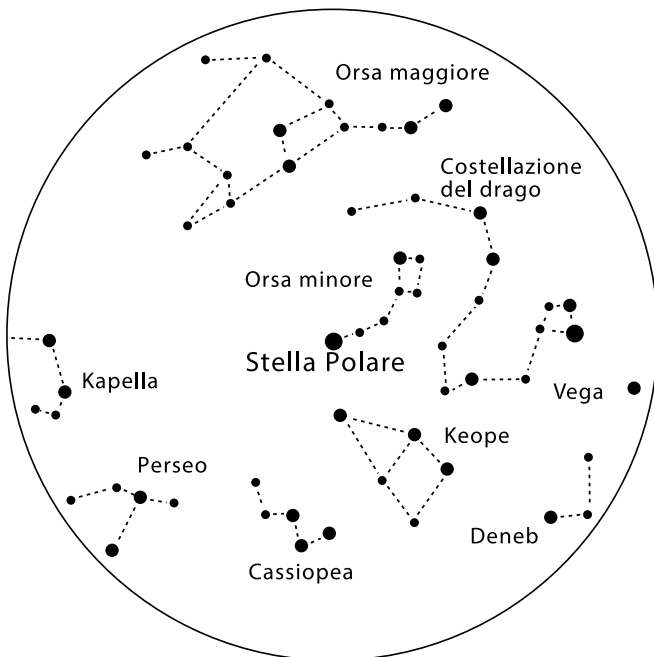
Bei Bedarf können Sie den Stern mit Hilfe der Griffe zur Feineinstellung genauer ausrichten, ebenso wie Sie den Fokus mit dem Fokussierad (B) einstellen können.

Richtig scharfgestellt sollte der Stern dann punktförmig erscheinen.

Sie können nun auch Okulare austauschen, um die Vergrößerung zu erhöhen oder zu verringern.

TIPP: Beginnen Sie jede Beobachtung mit einem Okular mit geringer Vergrößerung (30 mm).

19. Handhabung - Einen Stern finden:



Zunächst wird es für Sie schwierig sein, sich am Nachthimmel zurechtzufinden, da sich die Sterne und die Sternbilder immer zu bewegen scheinen und sich je nach Jahreszeit, Datum und Uhrzeit ihre Position am Himmel ändert. Der Nordstern, auch bekannt als Polaris (Stella Polare), ist die Ausnahme. Er ist ein Fixstern und Ausgangspunkt für alle Sternkarten der nördlichen Hemisphäre.

Zunächst sollten Sie sich einige bekannte Sternbilder und Sterngruppenordnungen ansehen, die das ganze Jahr über sichtbar sind. Die Position der Himmelsobjekte ist abhängig von Datum und Uhrzeit.

Wenn Sie Ihr Teleskop genau auf einen dieser Sterne ausgerichtet haben, werden Sie feststellen, dass er nach wenigen Minuten aus Ihrem Gesichtsfeld verschwindet. Um diesen Effekt auszugleichen, müssen Sie den Griff zur Feineinstellung (K) drehen. Die Rektaszensionsachse und Ihr Teleskop folgt der Flugbahn dieses Sterns.

20. Handhabung - Zubehör:

Ihr Teleskop wird mit 3 Okularen geliefert. Durch den Austausch der Okulare können Sie die Vergrößerung Ihres Teleskops verändern. Für die beste Leistung wird eine maximale Vergrößerung von 152X empfohlen.

Hinweis:
 Brennweite / Okular = Vergrößerung
 700 mm / 30 mm = **23 x**

Verwendung der Umkehrlinse 1,5x:
 700 mm / 8 mm = 87,5x x 1.5 = **131x**

Durch die Verwendung der Barlow-Linse können Sie die Vergrößerung jedes einzelnen Okulars verdreifachen.

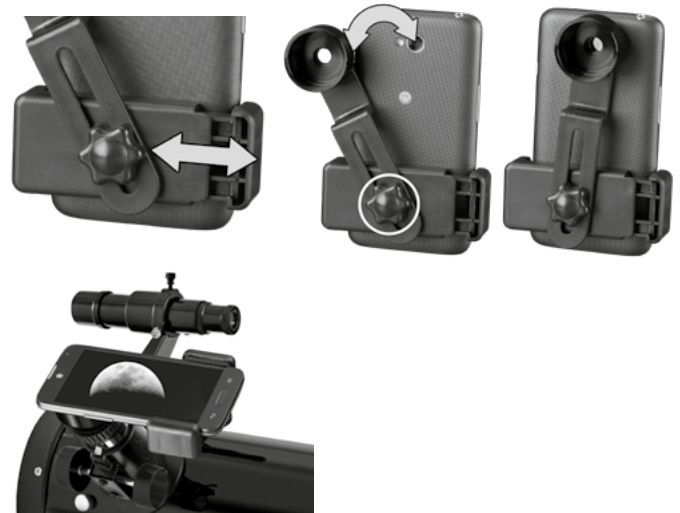
Verwendung der Barlow-Linse 3x:
 700 mm / 8 mm = 87,5x x 3 = **262x**

21. Handhabung - Demontage:

Nach einer hoffentlich interessanten und erfolgreichen Beobachtung wird empfohlen, das gesamte Teleskop an einem trockenen, gut belüfteten Ort aufzubewahren.

Vergessen Sie nicht, die Staubschutzkappen auf die Tubus-Öffnung und auf den Okulareinschub zu stecken. Außerdem sollten Sie alle Okulare und optischen Zubehörteile in die entsprechenden Behälter verstauen.

21. Smartphone-Adapter:



Öffnen Sie die flexible Halterung und setzen Sie Ihr Smartphone hinein. Schließen Sie die Halterung und stellen Sie sicher, dass Ihr Smartphone richtig fest sitzt. Die Kamera muss genau über dem Okular aufliegen. Öffnen Sie dazu den Feststellclip auf der Rückseite der Halterung und passen Sie den Okulareinblick genau auf Ihre Smartphone-Kamera ein. Jetzt den Feststellclip wieder fest anziehen und die Smartphone-Halterung auf das Okular Ihres Teleskops aufstecken. Starten Sie nun die Kamera-App. Wenn das Bild noch nicht genau zentriert auf Ihrem Display zu sehen ist, dann lösen Sie den Feststellclip leicht und justieren Sie nach. Eventuell ist es nötig, durch die Zoomfunktion das Bild Display füllend darzustellen. Eine leichte Abschattung an den Rändern ist möglich. Nehmen Sie das Smartphone nach dem Gebrauch wieder von der Halterung ab!

WARNUNG

Achten Sie darauf, dass das Smartphone nicht aus der Halterung herausrutschen kann. Für Beschädigungen durch ein herabgefallenes Smartphone übernimmt die Bresser GmbH keine Haftung!

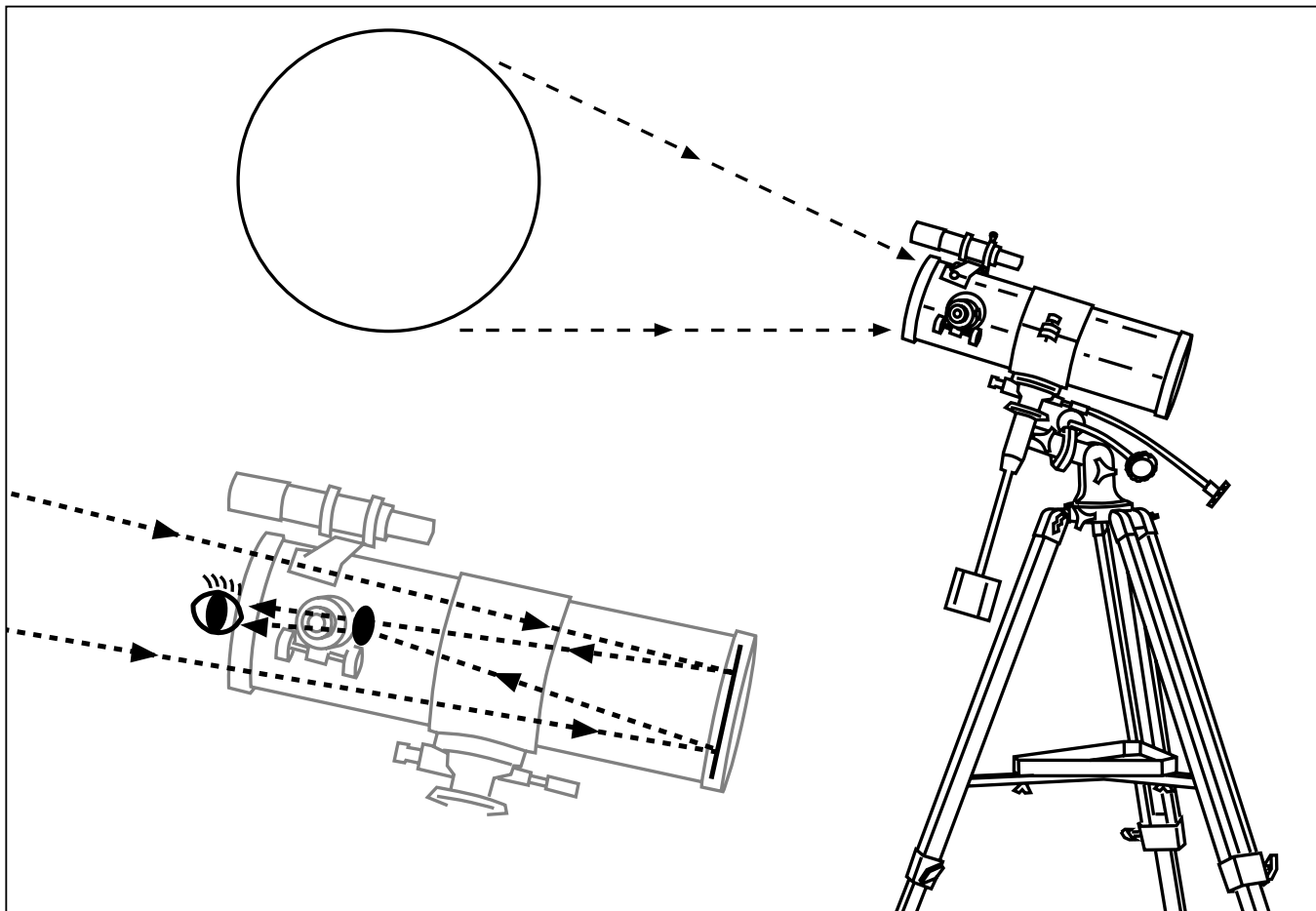
23. Handhabung - Pflege:

Ihr Teleskop ist ein hochwertiges optisches Instrument. Das Teleskop darf nicht mit Staub oder Feuchtigkeit in Berührung kommen.

Sollten dennoch Schmutz oder Staub mit Ihrem Teleskop in Berührung gekommen sein, sollten Sie es zunächst mit einer weichen Bürste entfernen und dann die verschmutzte Position mit einem weichen Tuch reinigen. Am besten entfernen Sie Fingerabdrücke von den optischen Oberflächen mit einem fusselfreien, weichen Tuch, das Sie zuvor mit etwas Alkohol behandelt haben.

Wenn Staub oder Feuchtigkeit in Ihr Teleskop gelangt ist, versuchen Sie nicht, es selbst zu reinigen, Sie sollten es an Ihr Service-Center schicken.

Funktionsweise - Reflektor-Teleskop:



24. Astronomie-Software - Download:

Die Astronomie-Software Stellarium steht zum Download bereit unter:
www.bresser.de/download/EQ/Astro_Software

Stellarium_Manual

Laden Sie das PDF der Anleitung in Ihrer Sprache herunter.

Stellarium_Software

Windows: Setup Datei mit der Endung .exe herunterladen und ausführen.
 MacOS: Setup Datei mit der Endung .dmg herunterladen und ausführen.



Download

Technische Daten:

Teleskope:

Brennweite: 694.2 mm
Spiegeldurchmesser: 75.2 mm

Sucherfernrohr:

Vergrößerung: 5x
Durchmesser: 24 mm
Sehfeld: 5.8°

Zubehör:

Okulare: 8 + 12,5 + 30 mm
 Sucherfernrohr 5x24
 1,5-fache Umkehrlinse
 3-fache Barlow-Linse
 Aluminium-Stativ
 EQ-3 Halterung

Vergrößerung:

Okular 30 mm: 23X
 Okular 12,5 mm: 56X
 Okular 8 mm: 87,5X

Vergrößerung mit 1,5-facher Umkehrlinse:

Okular 30 mm: 35X
 Okular 12,5 mm: 84X
 Okular 8 mm: 131X

Vergrößerung mit 3-facher Barlow-Linse:

Okular 30 mm: 70X
 Okular 12,5 mm: 168X
 Okular 8 mm: 262X

Umkehrlinse und Barlow-Linse sollten nicht zusammen verwendet werden.

Fehlerbehebung:

Fehler:	Hilfe:
Kein Bild	Staub entfernen - Staubschutzkappe aus Objektive Öffnung.
Unschärfes Bild	Fokus einstellen mit Hilfe vom Fokussierrad
Kein Fokus möglich	Warten auf Temperatur- ausgleich
Schlechtes Bild	Beobachten Sie niemals durch eine Glasoberfläche
Objekt sichtbar im Sucher, aber nicht durch das Teleskop	Sucher einstellen (Siehe Aufbau: Punkt 12)
Schwergängigkeit der flexiblen Griffe auf der Achse über der Welle	Teleskop und Gegengewicht sind nicht im Gleichgewicht
Unschärfes Bild	Überprüfen Sie die Einstellung vom Hauptspiegel

Teleskop ABC:

Was bedeuten die folgenden Begriffe?

Barlow-Linse:

Die Barlow-Linse wurde nach ihrem Erfinder Peter Barlow benannt, einem britischen Mathematiker und Physiker, der von 1776-1862 lebte. Die Linse kann verwendet werden, um die Brennweite eines Teleskops zu vergrößern. Je nach Linsentyp ist es möglich, die Brennweite zu verdoppeln oder sogar zu verdreifachen. Dadurch kann natürlich auch die Vergrößerung gesteigert werden. Siehe auch „Okular“. Dieses Teleskop hat eine 3-fach Barlow-Linse.

Brennweite:

Alles, was ein Objekt über eine Optik (Linse) vergrößert, hat eine bestimmte Brennweite. Die Brennweite ist die Länge des Weges, den das Licht von der Oberfläche der Linse zu ihrem Brennpunkt zurücklegt. Der Brennpunkt wird auch als Fokus bezeichnet. Im Fokus ist das Bild scharf. Bei einem Teleskop werden die Brennweiten des Fernrohrs und des Okulars kombiniert.

Linse:

Die Linse lenkt das einfallende Licht so um, dass es nach einer bestimmten Strecke (Brennweite) im Brennpunkt ein scharfes Bild erzeugt.

Okular:

Ein Okular ist ein Betrachtungssystem, das aus einer oder mehreren Linsen besteht. Mit einem Okular wird das im Brennpunkt einer Linse entstehende scharfe Bild aufgenommen und nochmals vergrößert.

Vergrößerung:

Die Vergrößerung entspricht dem Unterschied zwischen der Betrachtung mit bloßem Auge und der Betrachtung durch ein Vergrößerungsgerät (z.B. Teleskop). Die Beobachtung mit bloßem Auge gilt als Einfach- oder 1x Vergrößerung. Wenn nun ein Teleskop eine 30-fache Vergrößerung hat, so können Sie ein Objekt durch das Teleskop 30 Mal größer sehen als mit bloßem Auge. Siehe auch „Okular“.

! HINWEISE zur Reinigung

Reinigen Sie die Linsen (Okulare und/oder Objektive) nur mit einem weichen und fusselfreien Tuch (z. B. Microfaser). Das Tuch nicht zu stark aufdrücken, um ein Verkratzen der Linsen zu vermeiden.

Zur Entfernung stärkerer Schmutzreste befeuchten Sie das Putztuch mit einer Brillen-Reinigungsflüssigkeit und wischen damit die Linsen mit wenig Druck ab.

Schützen Sie das Gerät vor Staub und Feuchtigkeit! Lassen Sie es nach der Benutzung – speziell bei hoher Luftfeuchtigkeit – bei Zimmertemperatur einige Zeit akklimatisieren, so dass die Restfeuchtigkeit abgebaut werden kann. Setzen Sie die Staubschutzkappen auf und bewahren Sie es in der mitgelieferten Tasche auf.

**ENTSORGUNG**

Entsorgen Sie die Verpackungsmaterialien sortenrein. Informationen zur ordnungsgemäßen Entsorgung erhalten Sie beim kommunalen Entsorgungsdienstleister oder Umweltamt.

Beachten Sie bitte bei der Entsorgung des Geräts die aktuellen gesetzlichen Bestimmungen. Informationen zur fachgerechten Entsorgung erhalten Sie bei den kommunalen Entsorgungsdienstleistern oder dem Umweltamt.

GARANTIE

Die reguläre Garantiezeit beträgt 2 Jahre und beginnt am Tag des Kaufs. Um von einer verlängerten, freiwilligen Garantiezeit wie auf dem Geschenkkarton angegeben zu profitieren, ist eine Registrierung auf unserer Website erforderlich.

Die vollständigen Garantiebedingungen sowie Informationen zu Garantiezeitverlängerung und Serviceleistungen können Sie unter www.bresser.de/garantiebedingungen einsehen.

Informations générales

A propos de ce mode d'emploi

Veillez lire les consignes de sécurité de ce manuel soigneusement. Pour éviter d'endommager l'appareil et le risque de blessure, utilisez uniquement ce produit comme décrit dans le manuel. Gardez le manuel d'instructions à portée de main pour pouvoir facilement rechercher des informations sur toutes les fonctions.



DANGER!

Vous trouverez ce symbole devant chaque section de texte qui traite du risque de blessure grave ou même de mort en cas d'utilisation inappropriée.



ATTENTION !

Vous trouverez ce symbole devant chaque section du texte qui traite du risque de dommages à la propriété ou l'environnement.

Usage prévu

Ce produit est destiné uniquement à un usage privé. Il a été développé pour agrandir la vision des choses dans la nature.

Consignes générales de sécurité



RISQUE DE CÉCITÉ !

N'utilisez jamais cet appareil pour regarder directement le soleil ou à proximité directe du soleil. Cela peut entraîner un risque de cécité.



RISQUE D'ÉTOUFFEMENT !

Les enfants ne peuvent utiliser cet appareil que sous la surveillance d'un adulte. Maintenez les enfants éloignés des matériaux d'emballage (sacs plastiques, bandes en caoutchouc, etc.) !



RISQUE D'INCENDIE !

Ne placez pas l'appareil, en particulier les lentilles, à la lumière directe du soleil. La concentration de lumière pourrait provoquer un incendie.



ATTENTION !

Ne pas démonter l'appareil ! En cas de défaut, veuillez-vous adresser à votre revendeur spécialisé. Le revendeur prendra contact avec le service technique et enverra l'appareil pour réparation le cas échéant.






Ne pas exposer l'appareil à des températures trop élevées.



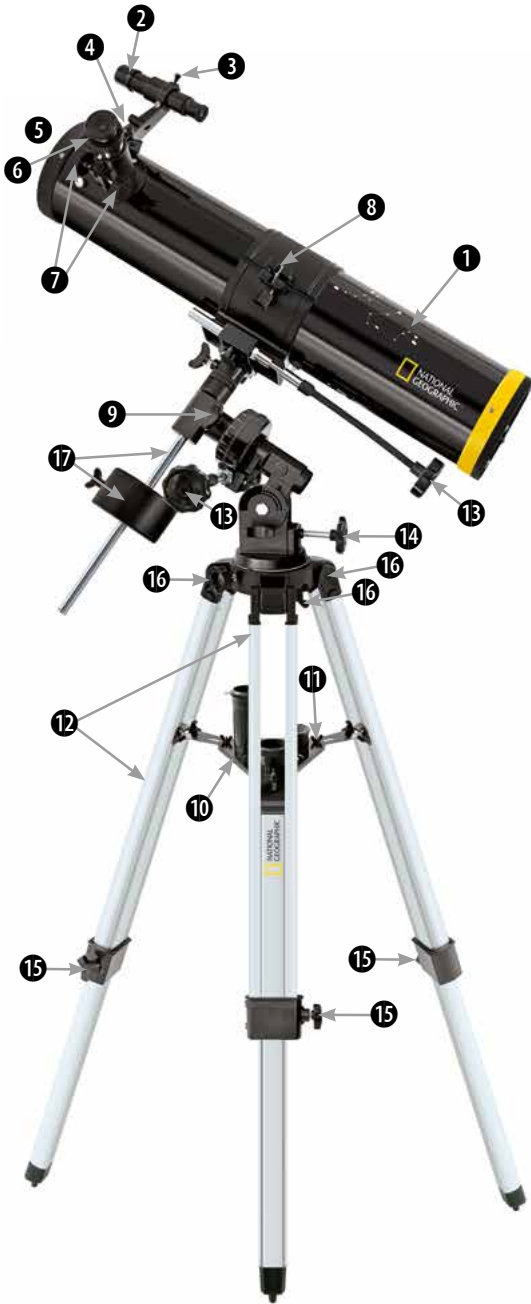
Protection de la vie privée

Ce produit est destiné uniquement à un usage privé. Veuillez respecter la vie privée des autres. Ne les utilisez pas pour visiter des appartements, par exemple.

Contenu de la livraison

A		<ul style="list-style-type: none"> ❶ Tube du télescope (OTA) ❷ Cache de protection
B		<ul style="list-style-type: none"> ❸ Monture
C		<ul style="list-style-type: none"> ❹ Vis pour le réglage de la latitude ❺ Viseur 5x24 ❻ Commandes pour un réglage fin ❼ Contrepoids ❽ Redresseur terrestre 1.5X ❾ Lentille de Barlow 3X ❿ Plateau d'accessoires ⓫ Vis (tête de trépied) ⓬ Vis (pieds du trépied) ⓭ Vis Plateau d'accessoires ⓮ Tournevis ⓯ Adaptateur SMARTPHONE ⓰ Oculaire ⓱ Oculaire ⓲ Oculaire + filtre lunaire
D		<ul style="list-style-type: none"> ❶⁹ Contrepoids
E		<ul style="list-style-type: none"> ❷⁰ Jambe de trépied
		<ul style="list-style-type: none"> ❷¹ Mode d'emploi ❷² Carte des étoiles ❷³ Carte de la Lune

Pièces - Construction



- ① Assemblage du tube optique du télescope (OTA)
- ② Chercheur
- ③ Vis de réglage (Viseur)
- ④ Support Chercheur à glissière
- ⑤ Ouverture de l'OTA
- ⑥ Porte oculaire
- ⑦ Molette de mise au point
- ⑧ Collier du OTA
- ⑨ Monture
- ⑩ Plateau d'accessoires
- ⑪ Vis de fixation (plateau)
- ⑫ Jambe de trépied
- ⑬ Poignées flexibles pour un réglage fin
- ⑭ Vis pour le réglage de la latitude
- ⑮ Vis (pieds du trépied)
- ⑯ Vis (tête de trépied)
- ⑰ Contrepoids

Pièces - Accessoires



Oculaires



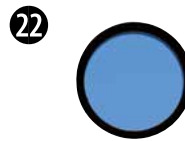
Viseur 5x24



Lentille de Barlow 3X



Redresseur terrestre 1.5X



Filtre lunaire



Logiciels par téléchargement



Adaptateur SMARTPHONE

- ⑱ Oculaires : 8/12.5/30 mm
- ⑲ Viseur 5x24
- ⑳ Lentille de Barlow 3X
- ㉑ Redresseur terrestre 1.5X
- ㉒ Filtre lunaire
- ㉓ Logiciels par téléchargement
- ㉔ Adaptateur SMARTPHONE



TÉLÉCHARGEMENT DU LOGICIEL ASTRONOMIE :
www.bresser.de/download/EQ/Astro_Software

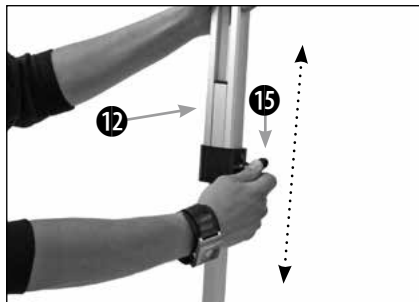
1. Général/Localisation

Avant de commencer le montage, vous devez choisir un emplacement approprié pour votre lunette. Il est utile d'installer cet instrument dans un endroit offrant une vue dégagée du ciel, un sol stable et un espace suffisant autour de vous.

Tout d'abord, retirez toutes les pièces de l'emballage. À l'aide du schéma, vérifiez si toutes les pièces sont incluses.

Important : Ne serrez les vis que du bout des doigts et évitez donc de trop les serrer.

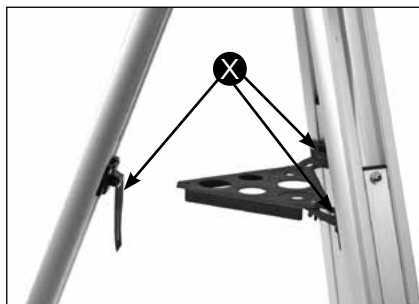
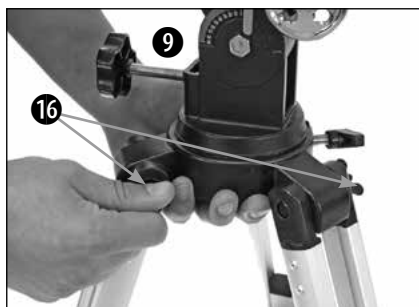
2. Assemblage - Pieds du trépied :



Tout d'abord, retirez la pièce centrale de chacun des trois pieds du trépied (12) à la longueur souhaitée.

Les vis de blocage (15) sont ensuite insérées dans les pieds du trépied et serrées.

3. Montage - Monture + trépied :



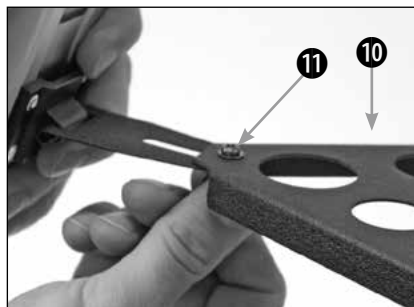
La monture doit être fixée à la tête du trépied, de sorte que la monture (9) et le trépied soient solidement reliés.

Les vis (16) sont insérées avec une rondelle à travers le trou dans la tête du trépied et la fixation sur la monture. La deuxième rondelle et l'écrou à ailettes sont vissés et serrés.

Procédez de la même manière avec les deux autres fixations, jusqu'à ce que la fixation et le trépied soient solidement reliés l'un à l'autre.

Assurez-vous que les supports (X) du plateau de rangement des accessoires se trouvent à l'intérieur des pieds du trépied.

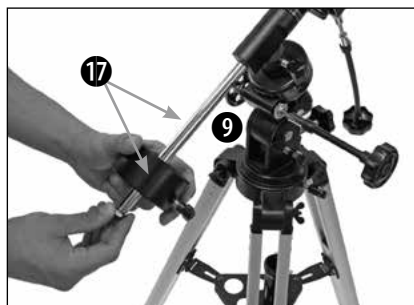
4. Montage - Plateau d'accessoires :



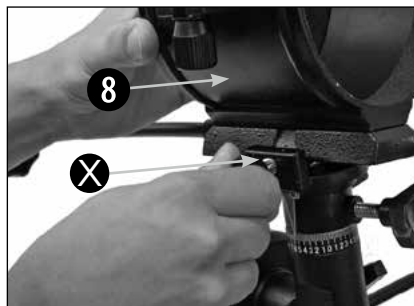
Maintenez le plateau d'accessoires (10) sur les supports des jambes du trépied.

Vissez les trois boulons à écrou à ailettes (11) par le bas à travers les supports dans le plateau d'accessoires, en les fixant fermement.

5. Assemblage - Montage :

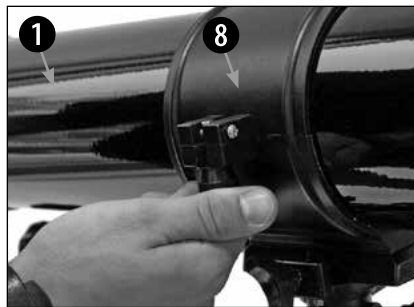


Préparez d'abord le support (9), placez le contrepois sur la tige de contrepois (17), puis vissez-le solidement dans le support par le bas. La vis nécessaire est emballée avec le contrepois.



Le collier de l'OTA (8) doit maintenant être placé sur la monture et fixé avec la vis (X).

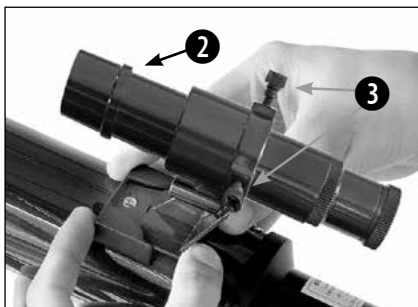
6. Assemblage - Tube :



Pour monter le tube du télescope (1), dévissez la vis du collier de l'OTA (8) et ouvrez le collier.

Placez maintenant l'OTA au centre du collier. Fermez le collier et fixez son support en serrant les vis.

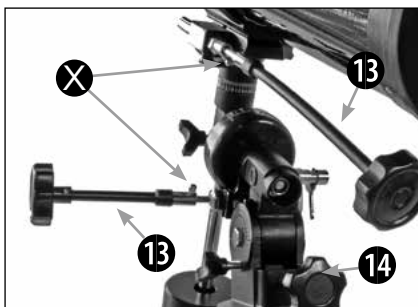
7. Montage - Viseur :



Placez d'abord la lunette de visée (2), comme indiqué, dans le support du viseur.

Ensuite, serrez doucement les vis de réglage (3), afin que le télescope ne tombe pas.

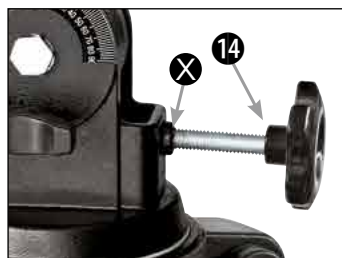
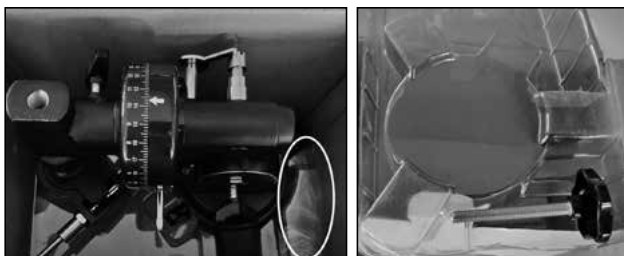
8. Montage - Commandes flexibles :



Les commandes flexibles (13) doivent être fixées à la monture (X) afin de faciliter les réglages précis et fins de la déclinaison et de l'axe d'ascension droite.

Fixez les flexibles en vissant solidement les vis dans les encoches du support.

9. Assemblage - Vis pour le réglage de la latitude :



La vis pour le réglage de la latitude (axe polaire) se trouve sous la dernière incrustation dans la boîte d'accessoires. Fixez la vis comme indiqué sur l'illustration (X).

10. Oculaire configuration :



Trois oculaires sont fournis comme accessoires standard avec ce télescope.

Vous pouvez décider du grossissement que vous souhaitez utiliser pour votre télescope, en interchangeant les oculaires. Avant d'insérer l'oculaire, vous devez retirer le cache de protection contre la poussière du porte-oculaire (6).

Desserrez la vis (X) du porte-oculaire et insérez l'oculaire de 30 mm. Resserrez la vis (X) sur le du porte-oculaire.

11. Cache de protection :

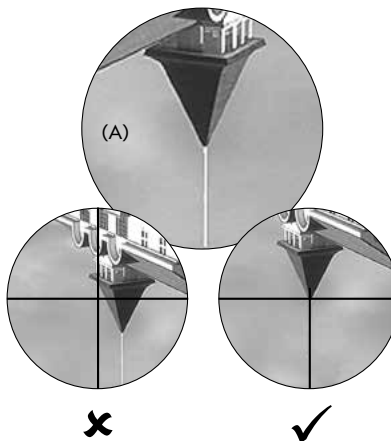


Pour protéger l'intérieur de votre télescope de la poussière et de la saleté, l'ouverture du tube est protégée par un cache anti-poussière. Pour l'observation, retirez les deux caches de l'ouverture.

IMPORTANT : Ce télescope ne doit pas être utilisé pour l'observation du soleil.

AVERTISSEMENT ! NE REGARDE JAMAIS LE SOLEIL ! DANGER DE CÉCITÉ !

12. Réglage du viseur :



La lunette de visée doit être réglée avant d'être utilisée : Celle-ci et le tube OTA doivent être parallèles l'un à l'autre. Pointez le télescope (photo : A) sur un objet visible situé à une distance de 300 à 500 m, à l'aide d'un oculaire à fort grossissement (par exemple, un oculaire de 8 mm ou 12,5 mm). Regardez maintenant à travers le viseur et déplacez-le en tournant les 6 vis de réglage (3), jusqu'à ce que vous voyiez l'objet au milieu du réticule.

L'instrument est maintenant prêt à être utilisé.

Manipulation de la monture



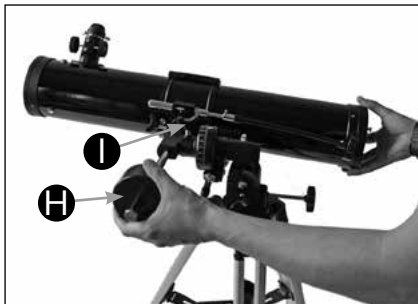
- | | |
|--|---|
| A Collier du OTA | G Vis de fixation et de réglage de l'axe de latitude |
| B Molette de mise au point | H Contrepoids |
| C Échelle de l'axe de déclinaison | I Vis de fixation de l'axe d'ascension droite |
| D Vis de fixation de l'axe de déclinaison | J L'attitude de l'axe polaire |
| E Ajustement fin de l'axe de déclinaison | K Ajustement fin de l'axe de l'ascension droite |
| F Échelle de l'axe des latitudes | L Vis de fixation pour l'alignement horizontal |

13. Manipulation - Se préparer :

Un endroit sombre est très important pour la plupart des observations, car les lumières gênantes peuvent altérer votre vision nocturne.

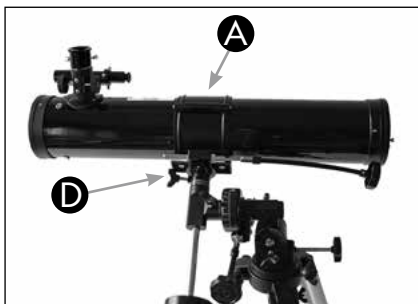
Ne pas observer depuis des lieux fermés. Nous vous recommandons d'installer votre télescope au moins 30 minutes avant de commencer votre observation, afin de garantir un équilibre des températures. Vous devez également vous assurer que le télescope est placé sur un sol stable et régulier. Il est préférable de se familiariser avec le télescope et de s'habituer à ses fonctions pendant la journée. Cela vous permettra de mieux utiliser votre télescope.

14. Manipulation - Équilibrage :



Pour éviter d'endommager les parties sensibles du support, les deux axes doivent maintenant être équilibrés avant l'observation.

En desserrant les vis de fixation (I) et en inclinant la tige de poids en position horizontale, l'axe polaire peut être équilibré. Ajustez maintenant le contreponds (H) sur la tige, jusqu'à ce que l'OTA et le poids restent en position horizontale. Resserrer la vis de fixation (I) sur l'axe polaire.



L'axe de déclinaison est équilibré en desserrant la vis de fixation (D) de l'axe de déclinaison. Il faut ensuite desserrer les vis du support OTA (A). Déplacez ensuite le tube jusqu'à ce qu'il reste en position horizontale.

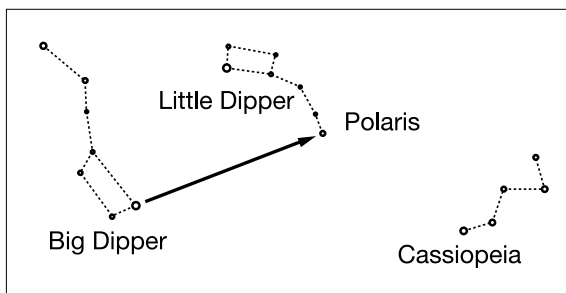
N'oubliez pas de resserrer la vis de fixation.

15. Manipulation - Alignement :

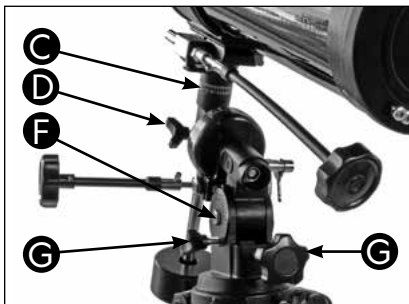


Maintenant, pointez l'ensemble du télescope avec l'ouverture de l'OTA à l'avant, vers le nord. Utilisez une boussole si vous en avez une.

Pour ce faire, vous devez desserrer la vis de blocage (L). Ensuite, vous pouvez tourner le télescope OTA dans la direction précise du nord. Puis resserrer la vis de blocage (L).



16. Manipulation - Latitude :



Réglez maintenant l'axe de latitude (F) (Axe Polaire), en desserrant la vis de fixation (G). Modifiez l'angle en utilisant la vis de réglage (G). Le degré auquel vous réglez l'axe dépend du degré de latitude de votre emplacement (par exemple Londres 51°, Dublin 53°, Glasgow 56°, Manchester 53°, Birmingham 52°, Cork 52°).

N'oubliez pas de resserrer la vis de fixation.

Réglez ensuite l'axe de déclinaison (C), en ouvrant et fermant la vis de fixation (D), sur 90°. Le télescope est aligné parallèlement à l'axe de la terre.

ASTUCE : Les degrés de latitude de votre position exacte peuvent toujours être trouvés dans un atlas, sur le bord droit ou gauche d'une carte ou sur internet.

17. Manipulation - Viseur :



Votre instrument est maintenant grossièrement aligné et réglé. Afin d'obtenir une position d'observation confortable, vous devez desserrer les vis du collier de l'OTA (A), de manière à pouvoir faire translater le tube du télescope. Amenez l'oculaire et le viseur dans une position dans laquelle il est confortable pour vous de regarder dans les deux. L'alignement fin se fait à l'aide du viseur. Regardez dans le viseur et centrez Polaris au milieu du viseur.



Utilisez les poignées flexibles de l'axe d'ascension droite (K) et de l'axe de déclinaison (E) pour les réglages fins. Important : Le flexible de déclinaison (E) n'est réglable que sur un maximum d'environ 30 degrés.

18. Manipulation - Observation :



Après avoir localisé Polaris dans le viseur, regardez dans l'oculaire, Polaris devrait être visible.

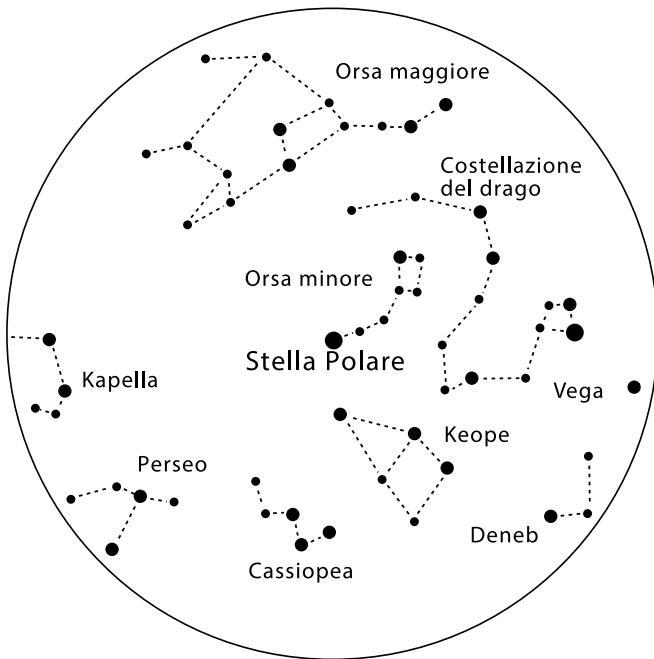
Si nécessaire, vous pouvez aligner l'étoile plus précisément à l'aide des flexibles, tout comme vous pouvez régler la mise au point à l'aide de la molette de mise au point (B).

Lorsqu'elle est correctement nette, l'étoile doit alors apparaître en forme de point.

Vous pouvez désormais également interchanger les oculaires pour augmenter ou diminuer le grossissement.

ASTUCE : Commencez chaque observation avec un oculaire de faible grossissement (30 mm).

19. Manipulation - Trouver une étoile :



Au début, il vous sera difficile de vous repérer dans le ciel nocturne, car les étoiles et les constellations semblent toujours en mouvement et, selon la saison, la date et l'heure, leur position dans le ciel change. L'étoile polaire, également connue sous le nom de Polaris (Stella Polare), est l'exception. C'est une étoile fixe et le point de départ de toutes les cartes des étoiles de l'hémisphère nord.

Pour commencer, vous devriez examiner quelques constellations et groupes d'étoiles bien connus qui sont visibles toute l'année. La position des objets célestes dépend de la date et de l'heure.

Si vous avez aligné votre télescope avec précision sur l'une de ces étoiles, vous constaterez qu'elle disparaît de votre champ visuel au bout de quelques minutes. Pour compenser cet effet, vous devez tourner le flexible (K) l'axe d'ascension droite et votre télescope suivra la trajectoire de cette étoile.

20. Manipulation - Accessoires :

Votre télescope est fourni avec 3 oculaires. En interchangeant les oculaires, vous pouvez modifier le grossissement de votre télescope. Pour une performance optimale, le grossissement maximal recommandé est de 152X.

Un conseil :
 Distance focale / Oculaire = Grossissement
 700 mm / 30 mm = **23 x**

Utilisation de le redresseur terrestre 1.5x :
 700 mm / 8 mm = 87.5x x 1.5 = **131x**

En utilisant la lentille Barlow, vous pouvez tripler le grossissement de chacun des oculaires.

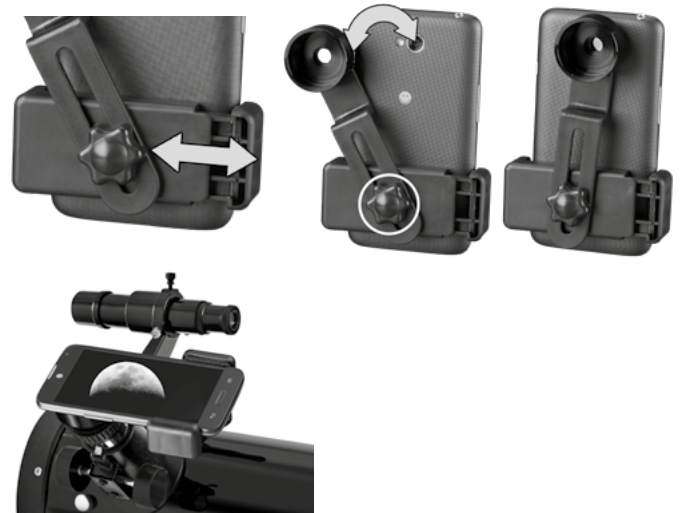
Utilisation de la lentille Barlow 3x :
 700 mm / 8 mm = 87.5x x 3 = **262x**

21. Manipulation - Démontage :

Après une observation intéressante et réussie, il est recommandé de ranger l'ensemble de l'instrument dans une pièce sèche et bien ventilée.

N'oubliez pas de mettre les caches de protection contre la poussière sur l'ouverture de la tube optique et sur la connexion de l'oculaire. Vous devez également ranger tous les oculaires et les accessoires optiques dans leurs contenants correspondants.

21. Adaptateur SMARTPHONE :



Ouvrez le support rétractable et placez-y votre smartphone. Fermez le support et assurez-vous que votre téléphone est correctement sécurisé. L'objectif de votre smartphone doit être placé exactement au-dessus de l'oculaire. Ouvrez le système de verrouillage à l'arrière du support et ajustez l'oculaire exactement sur la caméra de votre smartphone. Maintenant, resserrez le système de verrouillage et fixez l'adaptateur pour smartphone à l'oculaire de votre télescope. Maintenant, lancez l'application caméra. Si l'image n'est pas encore centrée sur votre écran, desserrez légèrement le système de verrouillage et réajustez. Il peut être nécessaire d'utiliser la fonction de zoom pour remplir l'image sur l'écran. Un léger ombrage sur les bords est possible. Retirez le smartphone du support après utilisation !

AVERTISSEMENT !

Assurez-vous que le smartphone ne peut pas glisser hors du support. Bresser GmbH n'assume aucune responsabilité pour tout dommage causé par une chute du smartphone.

23. Manipulation - Entretien :

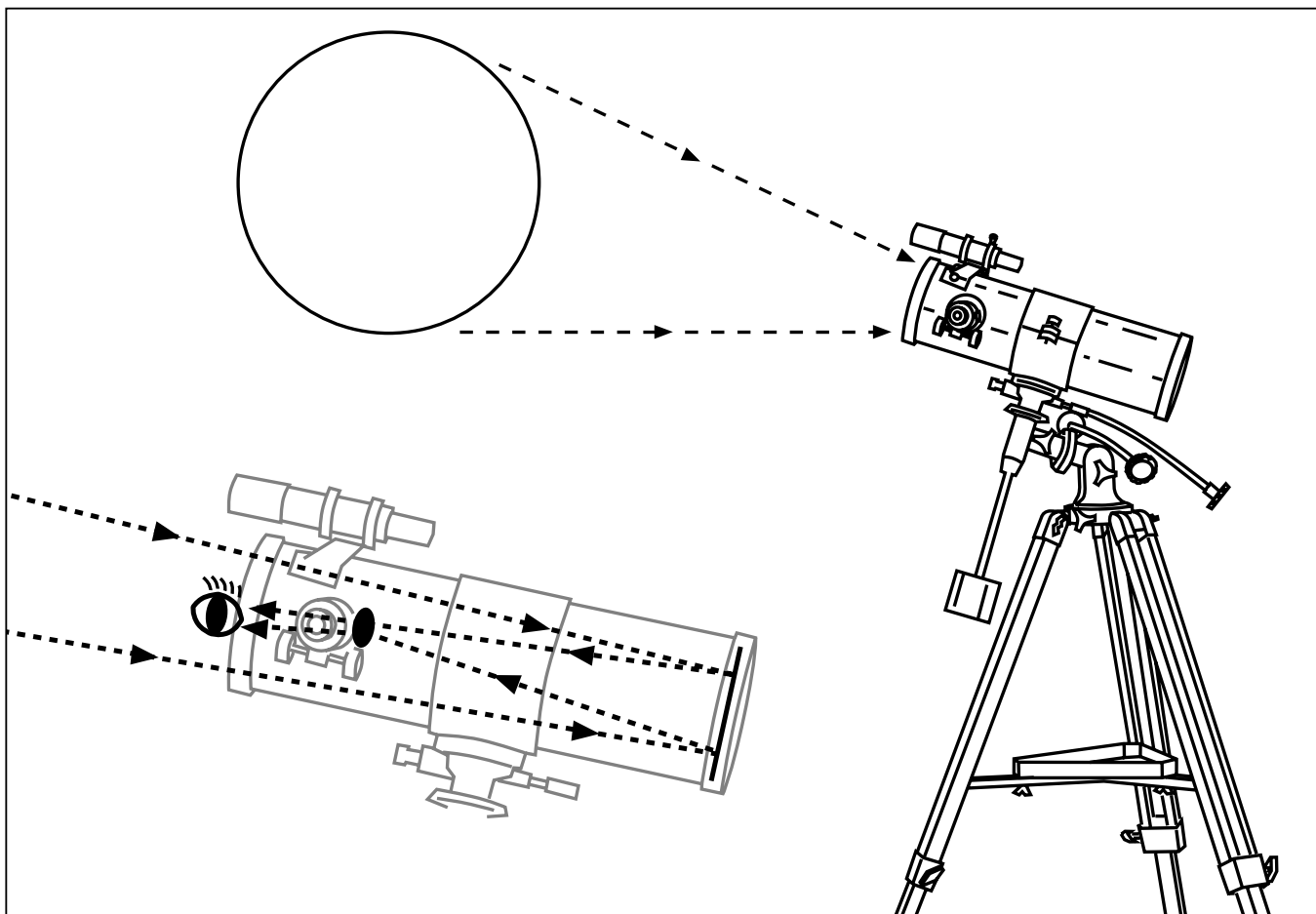
Votre télescope est un instrument optique de haute qualité. Le télescope ne doit pas entrer en contact avec la poussière ou l'humidité.

Si de la saleté ou de la poussière devait néanmoins entrer en contact avec votre télescope, vous devriez d'abord l'enlever avec une brosse douce, puis nettoyer l'endroit souillé avec un chiffon doux.

La meilleure façon d'éliminer les traces de doigts sur les surfaces optiques est d'utiliser un chiffon doux et non pelucheux, que vous aurez préalablement traité avec de l'alcool.

Si de la poussière ou de l'humidité s'est infiltrée dans votre télescope, n'essayez pas de le nettoyer vous-même, vous devez l'envoyer à votre centre de service.

Principe - Télescope à miroir :



24. Astronomy-Software - Télécharger :

Le logiciel d'astronomie Stellarium peut être téléchargé à l'adresse suivante : www.bresser.de/download/EQ/Astro_Software

Stellarium_Manual

Téléchargez le PDF du manuel dans votre langue.

Stellarium_Software

Les fenêtres : Téléchargez et exécutez le fichier d'installation avec l'extension .exe
MacOS : Téléchargez et exécutez le fichier d'installation avec l'extension .dmg



TÉLÉCHARGER :

Données techniques

Télescope :

Distance focale : 694.2 mm

Ouverture apparente : 75.2 mm

Chercheur :

Grossissement : 5x

Diamètre : 24mm

Champ de vision : 5.8°

Accessories :

Oculaires : 8 + 12.5 + 30 mm

Viseur 5x24

Redresseur terrestre 1.5X

Lentille de Barlow 3X

Trépied en aluminium

Support EQ-3

Grossissement :

Oculaire 30 mm : 23X

Oculaire 12,5 mm : 56X

Oculaire 8 mm : 87.5X

Grossissement avec le redresseur terrestre 1.5X :

Oculaire 30 mm : 35X

Oculaire 12,5 mm : 84X

Oculaire 8 mm : 131X

Grossissement avec lentille Barlow 3X :

Oculaire 30 mm : 70X

Oculaire 12,5 mm : 168X

Oculaire 8 mm : 262X

Le redresseur terrestre et la lentille de Barlow NE DOIVENT PAS ÊTRE UTILISÉES ENSEMBLE.

Dépannage :

Des erreurs :

Aucune image

AIDE :

Enlever le cache de protection de l'ouverture du tube.

Image floue

Réglez la mise au point en utilisant la molette de mise au point

Pas de mise au point possible

Attendre que la température intérieure s'équilibre

Mauvaise image

Ne jamais observer à travers une surface en verre

Objet visible dans le viseur, mais pas à travers le télescope

Ajuster le viseur (voir Assemblage : Point 12)

Dureté dans le flexible sur l'axe en dehors

Télescope et contrepoids le poids n'est pas équilibré

Image floue

Vérifier le réglage du miroir principal

Télescope ABC :

Que signifient les termes suivants ?

Lentille de Barlow :

La lentille de Barlow doit son nom à son inventeur, Peter Barlow, un mathématicien et physicien britannique qui a vécu de 1776 à 1862. La lentille peut être utilisée pour augmenter la largeur focale d'un télescope. Selon le type de lentille, il est possible de doubler ou même de tripler la longueur focale. Par conséquent, le grossissement peut également être augmenté. Voir aussi Oculaire. Ce télescope a une lentille Barlow 3X.

Distance focale

Tout ce qui grossit un objet via une optique (lentille) a une certaine longueur focale. La longueur focale est la longueur du chemin parcouru par la lumière depuis la surface de la lentille jusqu'à son point focal. Le point focal est également appelé foyer. Au niveau de la mise au point, l'image est claire. Dans le cas d'un télescope, les longueurs focales du tube du télescope et des oculaires sont combinées.

Lentille :

La lentille déforme la lumière qui tombe sur elle de telle sorte que la lumière crée une image claire au point focal, après avoir parcouru une certaine distance (distance focale).

Oculaire :

Un oculaire est un système d'observation composé d'une ou plusieurs lentilles. L'oculaire grossit l'image claire générée au point focal d'une lentille.

Grossissement :

Le grossissement correspond à la différence entre l'observation à l'œil nu et l'observation à travers un appareil de grossissement (par exemple, un télescope). L'observation à l'œil nu est considérée comme simple, soit un grossissement de 1X. Par conséquent, si un télescope a un grossissement de 30X, un objet vu dans le télescope apparaîtra 30 fois plus grand qu'à l'œil nu. Voir aussi Oculaire.

! REMARQUES sur le nettoyage

Nettoyez les oculaires et/ou les lentilles uniquement avec un chiffon doux et non pelucheux (par exemple, un chiffon en microfibre). Pour éviter de rayer les lentilles, n'exercez qu'une légère pression avec le chiffon de nettoyage.

Pour éliminer les salissures plus tenaces, humidifiez le chiffon de nettoyage avec une solution de nettoyage pour lunettes et essuyez les lentilles avec précaution.

Protégez l'appareil contre la poussière et l'humidité. Après utilisation, en particulier en cas de forte humidité, laissez l'appareil s'acclimater à la température ambiante pendant une courte période, afin que l'humidité résiduelle puisse se dissiper. Retirez le cache-poussière et rangez-le dans le sac inclus pendant l'utilisation.



RECYCLAGE

Éliminez les matériaux d'emballage correctement en fonction de leur type, tels que le papier ou le carton. Prenez contact avec votre service de collecte des déchets ou une autorité environnementale pour obtenir des informations sur une élimination appropriée.

Veillez tenir compte des dispositions légales en vigueur lors de la mise au rebut de votre appareil. Pour plus d'informations concernant les règles applicables en matière d'élimination de ce type de produits, veuillez-vous adresser aux services communaux en charge de la gestion des déchets ou de l'environnement.

GARANTIE

La période de garantie normale est de 2 ans et commence le jour de l'achat. Afin de bénéficier d'une période de garantie prolongée comme indiqué sur l'emballage, l'enregistrement sur notre site internet est nécessaire.

Vous pouvez avoir accès à l'intégralité des conditions de garantie ainsi qu'à des informations sur la prolongation de la période de garantie et sur nos services à la page www.bresser.de/warranty_terms.

Algemene informatie

Over deze handleiding

Lees a.u.b. de veiligheidsinstructies in deze handleiding zorgvuldig door. Om schade aan het apparaat of letsel te voorkomen: gebruik dit product alleen zoals beschreven in de handleiding. Bewaar de gebruiksaanwijzing, zo kunt u op elk moment nieuwe informatie over alle bedieningsfuncties krijgen.



GEVAAR!

Dit teken wordt geplaatst vóór elk tekstgedeelte dat duidt op gevaren. Deze kunnen bij niet correct gebruik ernstig letsel of zelfs de dood tot gevolg hebben.



ATTENTIE!

Dit symbool staat voor elk tekstgedeelte dat duidt op materiaal- of milieuschade als gevolg van onjuist gebruik.

Gebruik

Dit product is alleen bestemd voor privé gebruik. Het werd ontwikkeld voor de vergrote weergave van natuur waarnemingen.

Algemene waarschuwingen



RISICO OP BLINDHEID!

Kijk nooit rechtstreeks in de zon of in de omgeving daarvan met dit apparaat. Er bestaat GEVAAR VOOR BLINDHEID!



VERSTIKKINGSGEVAAR!!

Kinderen mogen het apparaat alleen onder toezicht gebruiken. Houd verpakkingsmateriaal zoals plastic zakken, elastiekjes, enzovoort buiten het bereik van kinderen! Er bestaat VERSTIKKINGSGEVAAR!



BRANDGEVAAR!

Stel het apparaat - vooral de lenzen - niet bloot aan direct zonlicht! Er kan brand ontstaan door de lichtbundeling.



ATTENTIE!

Haal het apparaat niet uit elkaar! Neem in geval van een defect contact op met uw handelaar. Hij neemt contact op met het Service-Centrum en kan het apparaat zo nodig ter reparatie opsturen.






Stel het apparaat niet bloot aan hoge temperaturen.



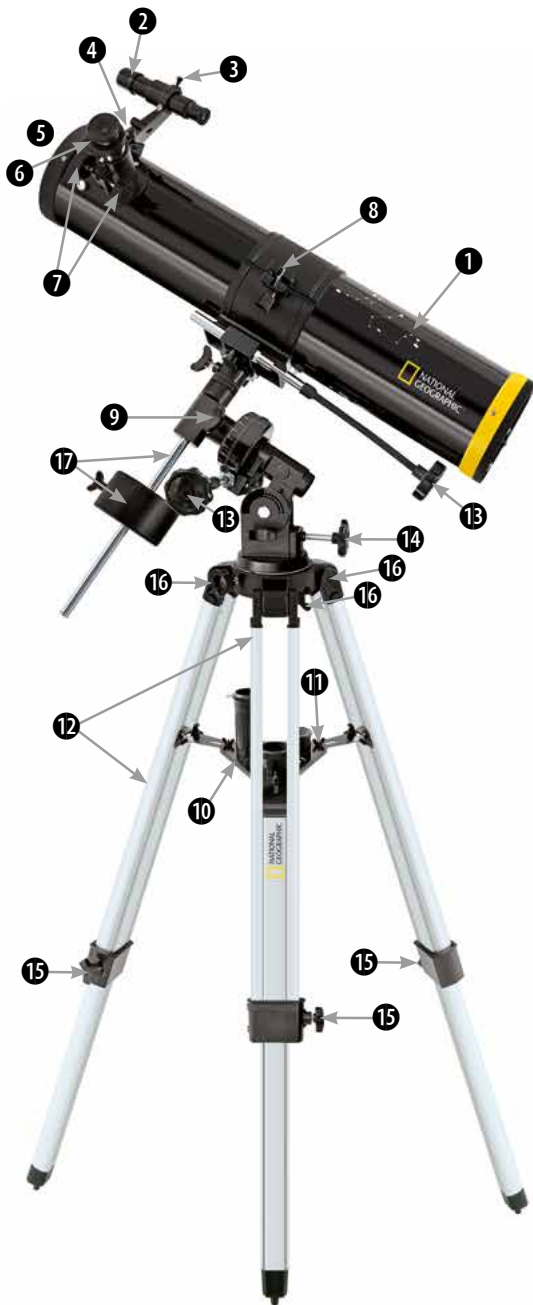
BESCHERMING van de privacy!

Het apparaat is uitsluitend bedoeld voor privé gebruik. Respecteer de privacy van uw medemensen - kijk bijvoorbeeld niet in woningen met dit apparaat!

Leveringsomvang

A		<ul style="list-style-type: none"> 1 Telescoopbuis (OTA) 2 Beschermkap
B		<ul style="list-style-type: none"> 3 Monterings
C		<ul style="list-style-type: none"> 4 Schroef voor de instelling van de breedtegraad 5 5x24 Zoeker 6 Hendels voor fijnregeling 7 Staaf voor contragewicht 8 1.5x Omkeerlens 9 3x Barlow-lens 10 Bakje voor accessoires 11 Schroeven voor de statiefpoten 12 Schroeven voor de statiefpoten 13 Schroeven voor het bakje voor accessoires 14 Schroevendraaier 15 Smartphone-houder 16 Oculair 17 Oculair 18 Oculair + Maanfilter
D		<ul style="list-style-type: none"> 19 Contragewicht
E		<ul style="list-style-type: none"> 20 Statiefpoten
		<ul style="list-style-type: none"> 21 Handleiding 22 Sterrenkaart 23 Maankaart

Onderdelen - Opbouw



- ① Telescoopbuis (OTA)
- ② Zoeker kijker
- ③ Stelschroeven (zoeker kijker)
- ④ Zoekerschoen
- ⑤ Buis-opening (OTA)
- ⑥ Focuser
- ⑦ Scherpstelwiel
- ⑧ OTA-ring (buisring / buisklem)
- ⑨ Montering
- ⑩ Bakje voor accessoires
- ⑪ Montageschroeven (bakje)
- ⑫ statiefpoten
- ⑬ Hendels voor fijnregeling
- ⑭ Schroef voor de instelling van de breedtegraad
- ⑮ Schroeven (statiefpoten)
- ⑯ Schroeven (statiefkop)
- ⑰ Contragewicht + Staaf

Onderdelen - Accessoires



Oculairs



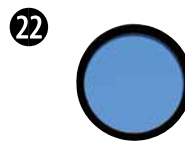
Zoeker kijker 5x24



3x Barlow-lens



1.5x Omkeerlens



Maanfilter



Astro software om te downloaden



Smartphone-houder

- ⑱ Oculairs: 8/12.5/30 mm
- ⑲ Zoeker kijker 5x24
- ⑳ 3x Barlow-lens
- ㉑ 1.5x Omkeerlens
- ㉒ Maanfilter
- ㉓ Astronomie software om te downloaden
- ㉔ Smartphone-houder



ASTRONOMIE SOFTWARE DOWNLOAD:
www.bresser.de/download/EQ/Astro_Software

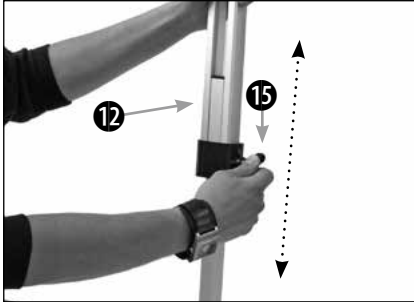
1. Algemeen/Plaats:

Voordat u begint met opzetten, kies a.u.b. een geschikte plaats voor uw telescoop. U kunt dit apparaat het beste opzetten op een plaats waar u een stabiele ondergrond, voldoende ruimte en een goed zicht op de hemel heeft.

Haal a.u.b. eerst alle onderdelen uit de verpakking. Bekijk de afbeelding om te controleren of alle onderdelen aanwezig zijn.

Opmerking: Draai alle schroeven slechts "handvast" aan en vermijd zo het "te vast" aandraaien van de schroeven.

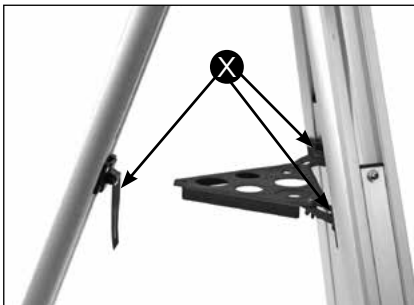
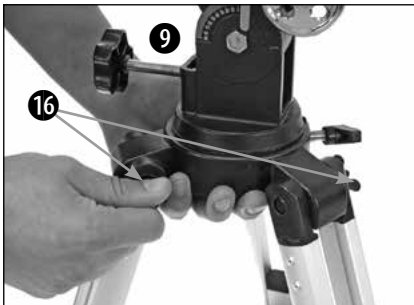
2. Opbouw statiefpoten:



Trek eerst het middenstuk van elk van de drie statiefpoten (12) uit tot de gewenste lengte.

De borgschroeven (15) worden vervolgens in de statiefpoten geplaatst en vastgedraaid.

3. Opbouw - Montering + Statief:



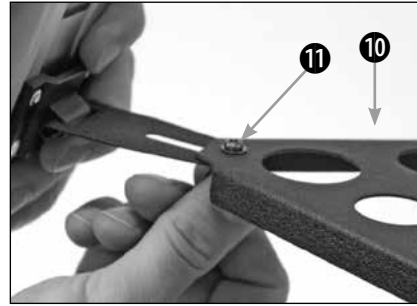
De beugel moet aan de statiefkop worden bevestigd, zodat de beugel (9) en het statief goed met elkaar verbonden zijn.

De schroeven (16) worden met een sluitring door het gat in de statiefkop en de bevestiging aan de beugel gestoken. De tweede ring en de vleugelmoer worden "handvast" aangedraaid.

Doe hetzelfde met de twee resterende beugels totdat de beugel en het statief goed met elkaar verbonden zijn.

Zorg ervoor dat de beugels (X) voor het accessoires-bakje aan de binnenkant van de statiefpoten zitten.

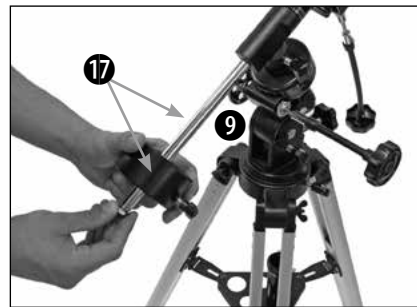
4. Opbouw - Bakje voor de accessoires:



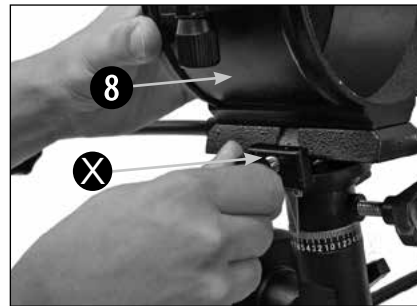
Houd het accessoires-bakje (10) tegen de statiefbeugels van de statiefpoten.

Schroef de drie vleugelmoeren (11) van onderaf "handvast" door de beugels in het accessoires-bakje.

5. Opbouw - Montering:

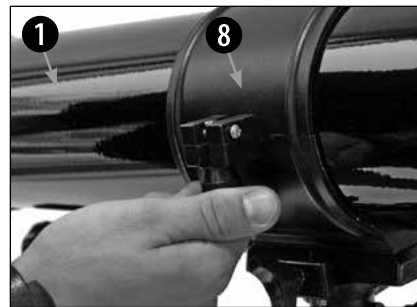


Prepareer eerst de beugel (9). Plaats hiervoor het contragewicht op de contragewicht-stang (17) en schroef het vervolgens van onderaf stevig vast in de beugel.



Plaats de OTA-ring (8) nu op de beugel en bevestig het met de schroef (X).

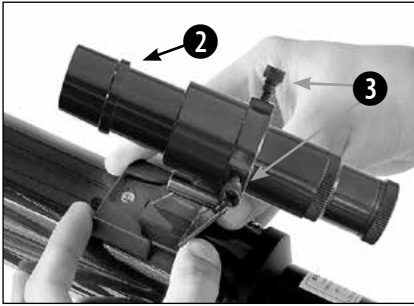
6. Opbouw - Buis:



Om de telescopbuis (1) te monteren - draai de schroeven van de OTA-ring (8) los en open de ring.

Plaats nu de buis in het midden van de ring. Sluit de ring en bevestig de beugel door de schroeven vast te draaien.

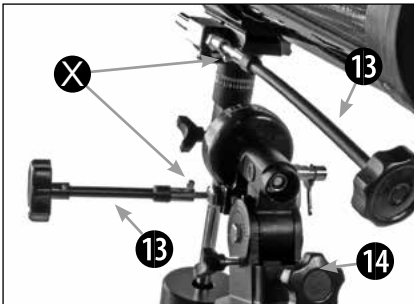
7. Opbouw - Zoeker kijker:



Schuif eerst de zoekerkijker (2) in de zoeker-houder zoals afgebeeld.

Draai vervolgens de stelschroeven (3) voorzichtig vast, zodat de zoeker er niet uit valt.

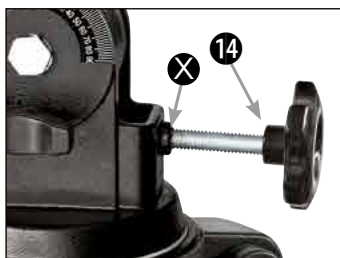
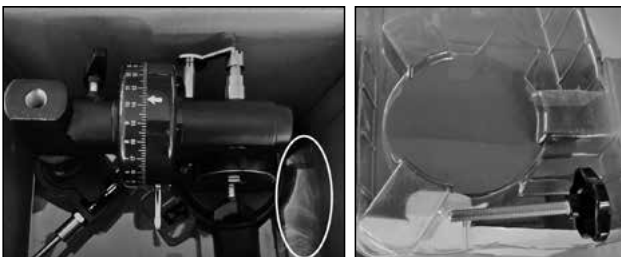
8. Opbouw - Hendels voor fijnregeling:



De hendels voor fijnregeling (13) moeten aan de beugel (X) worden bevestigd om de declinatie- en de rechte klimming-as nauwkeurig en heel precies in te stellen.

Zet de hendels vast door de schroeven stevig in de inkepingen van de beugel te draaien.

9. Opbouw - Schroef voor breedtegraad-instelling:



De schroef voor het instellen van de breedtegraad (poolhoogte) bevindt zich onder het laatste inlegvel in de accessoires-doos B. Bevestig de schroef op de afgebeelde plaats (X).

10. Oculair-instelling.



Bij deze telescoop worden drie oculairs als standaardaccessoires meegeleverd.

Door de oculairs te wisselen, kunt u beslissen welke vergroting u voor uw telescoop wilt gebruiken. Voordat u het oculair plaatst, moet u de stofkap van de focuser (6) verwijderen.

Draai de schroef (X) aan de focuser los en plaats het 30 mm oculair. Draai de schroef (X) aan de focuser weer vast.

11. Beschermkap:



Om de binnenkant van uw telescoop te beschermen tegen stof en vuil, wordt de buisopening beschermd door een stofkap.

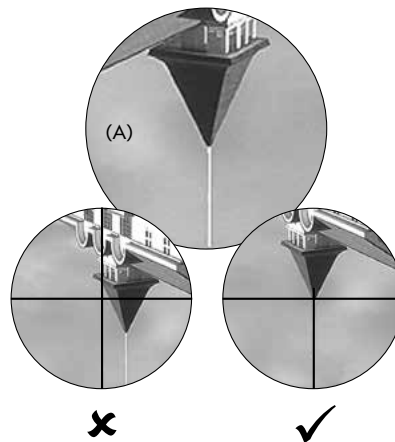
Verwijder voor observatie beide doppen van de opening.

Belangrijk: Deze telescoop mag niet worden gebruikt voor de observatie van de zon.

WAARSCHUWING! KIJK NOOIT NAAR DE ZON MET DEZE TELESCOOP!

RISICO OP BLINDHEID!

12. Instelling van de zoekerkijker:



De zoekerkijker moet voor gebruik worden ingesteld: Hij moet parallel met de buis (OTA-buis) worden uitgelijnd. Lijn de telescoop uit (Afbeelding: A) met een oculair met grote vergroting (bv. een 8 mm of 12,5 mm oculair) op een opvallend object op een afstand van ca. 300 - 500 m. Kijk nu door de zoeker en verplaats deze door aan de 6 stelschroeven (3) te draaien totdat u het object in het midden van het dradenkruis ziet.

De telescoop is nu klaar voor gebruik.

Instructie voor de montage



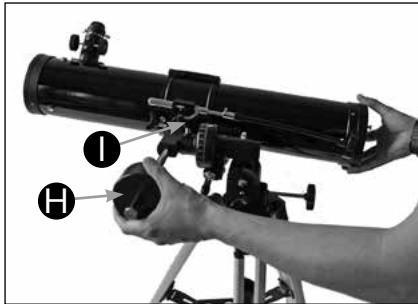
- | | |
|--|--|
| A OTA-ring (buisring / buisklem) | G Montage- en stelschroef voor de breedtegraad-as |
| B Scherpstelwiel | H Contragewicht |
| C Scala van de declinatie-as | I Montageschroef van de rechte klimming-as |
| D Montageschroef van de declinatie-as | J Instelling rechte klimming |
| E Fijnregeling van de declinatie-as | K Fijnregeling van de rechte klimming-as |
| F Scala van de breedtegraad-as | L Montageschroef voor een horizontale uitlijning |

13. Instructie - Voorbereiding:

Een donkere plaats is zeer belangrijk voor de meeste observaties; storende lichten kunnen uw nachtzicht negatief beïnvloeden .

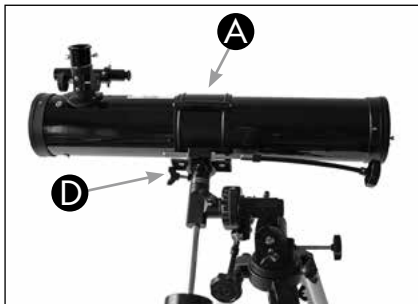
Niet observeren vanuit gesloten ruimtes. Stel uw telescoop ten minste 30 minuten voor gebruik op; zo is een temperatuurcompensatie mogelijk. Let op! De telescoop moet op een stabiele en vlakke ondergrond staan. Zorg ervoor dat u zich eerst overdag voldoende vertrouwd maakt met de telescoop; zo kunt u aan de werking wennen. U kunt uw telescoop zo beter gebruiken.

14. Instructie - Balans:



Om beschadiging van gevoelige onderdelen van de montering te voorkomen, moeten de twee assen vóór de observatie in evenwicht worden gebracht.

Door de montageschroeven (I) los te draaien en de gewicht-stang in horizontale stand te kantelen, kan de rechte klimming-as worden uitgebalanceerd. Plaats nu het contragewicht (H) op de stang totdat de buis (OTA) en het gewicht in een horizontale positie blijven. Draai de montageschroef (I) van de rechte klimming-as weer vast.



De declinatie-as kan in evenwicht worden gebracht door de montageschroef (D) op de declinatie-as los te draaien. Draai vervolgens de schroeven van de buis-houder (A) los. Beweeg vervolgens de buis, zolang deze in een horizontale positie blijft.

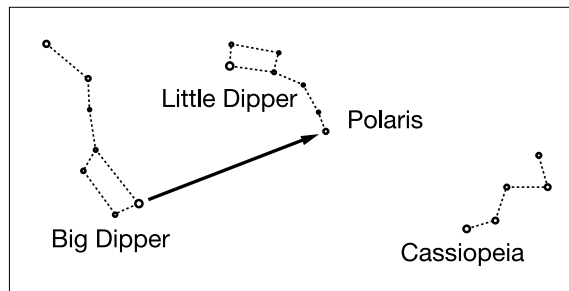
Vergeet niet de montageschroeven weer aan te draaien.

15. Instructie - Uitlijning:

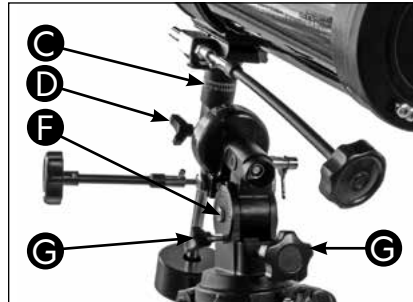


Richt nu de hele telescoop met de buisopening naar voren, dus naar het noorden. Gebruik hierbij zo mogelijk een kompas.

Daarvoor moet u de borgschroef (L) losdraaien. U kunt nu de telescoopbuis (OTA) in noordelijke richting draaien. Draai de borgschroef (L) weer vast.



16. Instructie - Breedtegraad:



Draai de stelschroef (G) los en stel nu de breedtegraad-as (F) (poolhoogte) in. Wijzig de invalshoek met behulp van de stelschroef (G).

De graad waarin u de as instelt, hangt af van de breedtegraad van uw positie b.v. Berlijn 52°, München 48°, Hamburg 53°, Keulen 51°, Frankfurt/Main 50°. Vergeet niet de montageschroef weer aan te draaien. Stel vervolgens de declinatie-as (C) in op 90° - u moet hiervoor de bevestigingsschroef (D) openen en sluiten. De telescoop is parallel aan de aardas uitgelijnd.

TIP: De breedtegraad van uw exacte positie vindt u altijd in een atlas, op de rechter- of linkerrand van een kaart of op internet.

17. Instructie - Zoeker:



De telescoop is nu grotendeels uitgelijnd en afgesteld. Om een comfortabele observatiepositie te bereiken, moet u de schroeven van de buis-houder (A) zo ver losdraaien, dat u de telescoopbuis kunt draaien. Plaats het oculair en de zoeker in een positie waarin het voor u comfortabel is om door beide heen te kijken.



De fijne uitlijning gebeurt met behulp van de zoeker. Kijk door de zoeker en centreer Polaris in het midden van de zoeker. Gebruik voor fijnregeling van de rechte klimming-as (K) en de declinatie-as (E) de hendels voor fijnregeling. Opmerking: De hendel voor declinatie (E) is slechts tot maximaal ca. 30 graden verstelbaar.

18. Instructie - Observatie:



Nadat u Polaris in de zoeker hebt gevonden, kijkt u door het oculair; Polaris moet nu zichtbaar zijn.

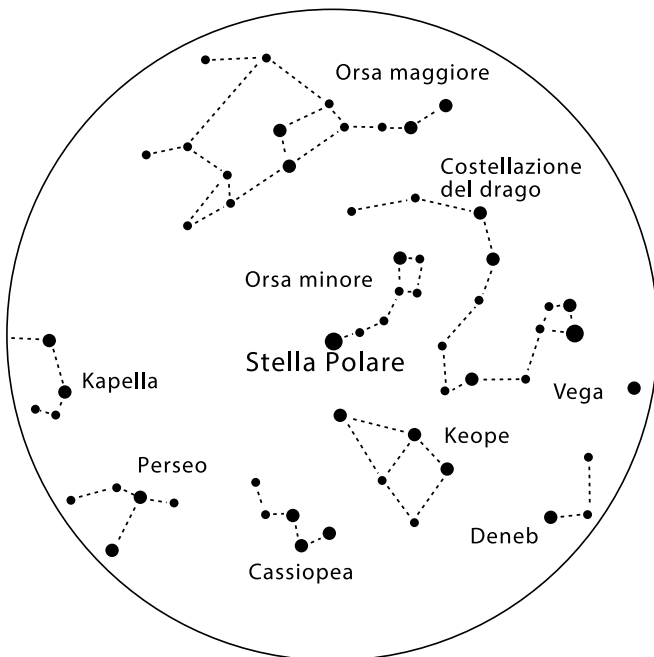
Indien nodig kunt u de ster nauwkeuriger uitlijnen met de hendels voor fijnregeling, net zoals u de focus kunt instellen met het scherpestelwiel (B).

Als de ster goed is scherpgesteld, moet hij er als een punt uitzien.

U kunt nu ook oculairs wisselen voor een kleine of grote vergroting.

TIP: Begin elke observatie met een oculair met lage vergroting (30 mm).

19. Instructie - Het vinden van een ster:



In het begin zal het moeilijk voor u zijn om uw weg te vinden aan de nachtelijke hemel, omdat de sterren en de sterrenbeelden altijd lijken te bewegen en hun positie aan de hemel verandert afhankelijk van het seizoen, de datum en de tijd. De Poolster, ook bekend als Polaris (Stella Polare), is de uitzondering. Het is een vaste ster en het uitgangspunt voor alle sterrenkaarten van de noordelijke hemisfeer.

Kijk eerst eens naar enkele bekende sterrenbeelden en asterismen die het hele jaar door te zien zijn. De positie van de hemel-objecten hangt af van de datum en de tijd.

Als u de telescoop precies op zo'n ster richt, zul je zien dat hij na een paar minuten uit uw gezichtsveld verdwijnt. Om dit effect te compenseren, moet u de hendel voor de fijnregeling (K) draaien. De rechte klimming-as en uw telescoop volgen de baan van deze ster.

20. Instructie - Accessoires:

Uw telescoop wordt geleverd met 3 oculairs. Door de oculairs te wisselen, kunt u de vergroting van uw telescoop veranderen. Voor het beste resultaat wordt een maximale vergroting van 152X aanbevolen.

Opmerking:
 Brandpuntsafstand / Oculair =
 Vergroting
 700 mm / 30 mm = **23 x**

Gebruik van de 1.5x omkeerlens:
 700 mm / 8 mm = 87,5x x 1.5 = **131x**

Door de Barlow-lens te gebruiken, kunt u de vergroting van elk oculair verdrievoudigen.

Gebruik van de Barlow-lens 3x:
 700 mm / 8 mm = 87,5x x 3 = **262x**

21. Instructie - Demontage:

Na een hopelijk interessante en succesvolle observatie bevelen wij u aan, de gehele telescoop op een droge, goed geventileerde plaats op te bergen.

Vergeet niet de stofkapjes terug op de buisopening en op de focuser te steken. Berg ook alle oculairs en optische accessoires in de daarvoor bestemde bakken op.

21. Smartphone-adapter:



Open de flexibele houder en plaats uw smartphone erin. Sluit de houder en controleer of uw smartphone goed op zijn plaats zit. De camera moet precies boven het oculair worden geplaatst. Open daarvoor de vergrendelingsclip aan de achterkant van de houder en pas de oculair-inkijk precies op uw smartphone-camera aan. Draai nu de vergrendelingsclip weer vast en bevestig de smartphone-houder aan het oculair van uw telescoop. Start nu de camera-app. Als het beeld nog niet precies in het midden van uw display te zien is, maak dan de vergrendelingsclip iets los en pas het beeld opnieuw aan. Wellicht moet u de zoomfunctie gebruiken om het beeld display-vullend te laten zien. Aan de randen kan een lichte schaduw te zien zijn. Haal de smartphone na gebruik weer uit de houder!

WAARSCHUWING

Zorg ervoor dat de smartphone niet uit de houder kan glijden. Bresser GmbH aanvaardt geen aansprakelijkheid voor schade veroorzaakt door een gevallen smartphone!

23. Instructie - Verzorging:

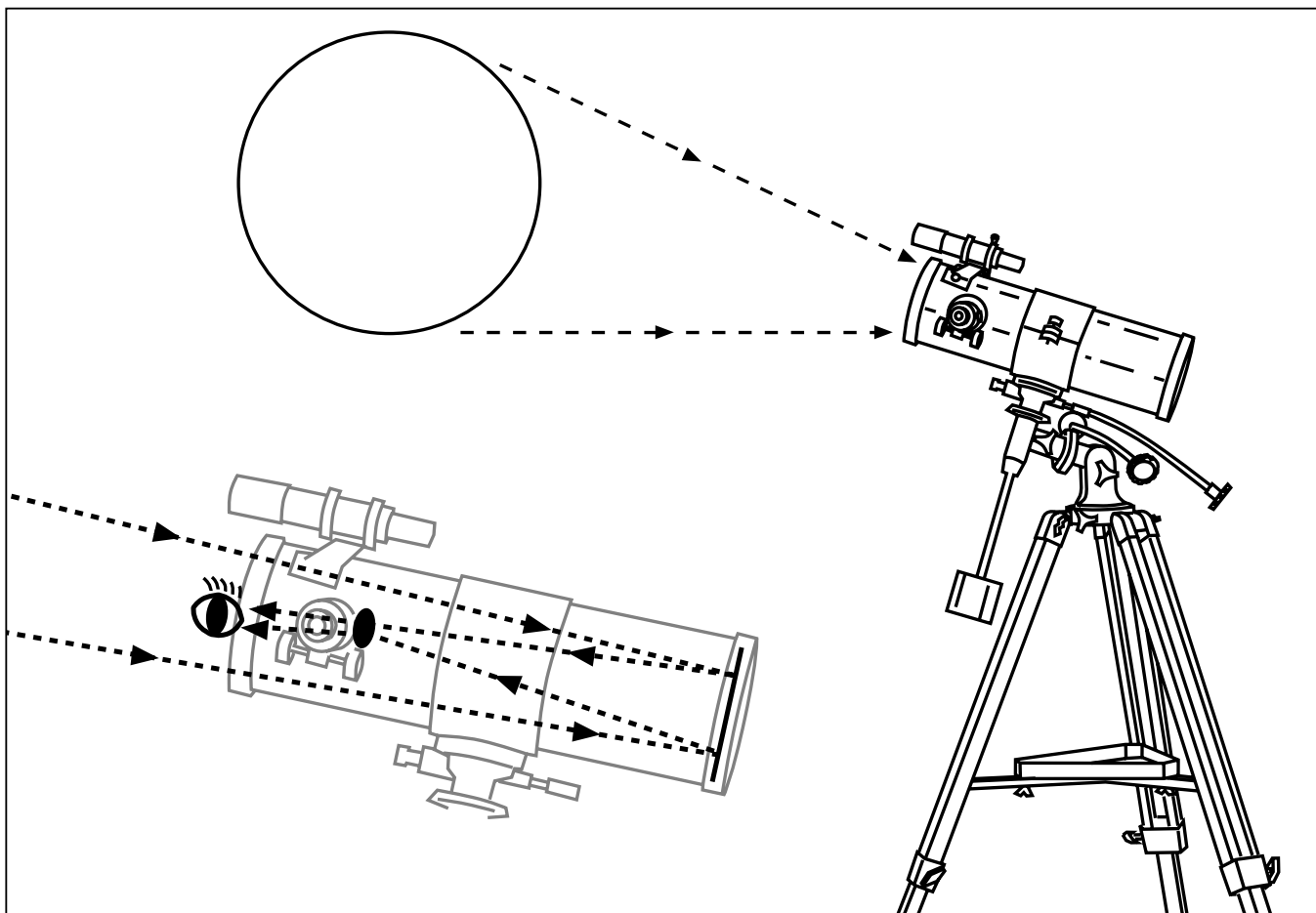
Uw telescoop is een optisch instrument van hoge kwaliteit. De telescoop mag niet in contact raken met stof of vocht.

Als uw telescoop toch met vuil of stof in contact is gekomen, dient u dit eerst met een zachte borstel te verwijderen en vervolgens de vervuilde plek met een zachte doek schoon te maken.

De beste manier om vingerafdrukken van de optische oppervlakten te verwijderen is met een pluisvrije, zachte doek die u vooraf met een beetje alcohol hebt behandeld.

Als er stof of vocht in uw telescoop is gekomen, moet u het niet zelf proberen schoon te maken. Neem eerst contact op met uw servicecentrum en stuur het indien nodig daar naartoe.

Werkwijze - reflector-telescoop:



24. Astronomie-software - Download:

De astronomie-software Stellarium kan worden gedownload op:
www.bresser.de/download/EQ/Astro_Software

Stellarium_Handleiding

Download de PDF van de handleiding in uw taal.

Stellarium_Software

Windows: Download het setup-bestand met de extensie .exe en installeer het.
 MacOS: Download het setup-bestand met de extensie .dmg en installeer het.



Download

Technische gegevens:

Telescoop:

Brandpuntsafstand: 694.2 mm

Spiegeldiameter: 75.2 mm

Zoeker kijker:

Vergroting: 5x

Diameter: 24 mm

gezichtsveld: 5.8°

Accessoires:

Oculairs: 8 + 12,5 + 30 mm

Zoeker kijker 5x24

1.5x Omkeerlens

3x Barlow-lens

Aluminium-statief

EQ-3 Montering

Vergroting:

Oculair 30 mm: 23X

Oculair 12,5 mm: 56X

Oculair 8 mm: 87,5X

Vergroting met 1,5x omkeerbare lens:

Oculair 30 mm: 35X

Oculair 12,5 mm: 84X

Oculair 8 mm: 131X

Vergroting met 3x Barlow-lens:

Oculair 30 mm: 70X

Oculair 12,5 mm: 168X

Oculair 8 mm: 262X

De omkeerlens en de Barlow-lens mogen niet samen worden gebruikt.

Probleemoplossing:

Fout:	Hulp:
Geen afbeelding	Verwijder stof - Stofkap gemaakt van Opening objectief.
Wazig beeld	Scherpstellen met Hulp van het scherpstelwiel
Geen scherpstelling mogelijk	Wachten op temperatuurcompensatie
Slecht beeld	Observeer nooit door een glazen oppervlak
Object zichtbaar in de zoeker, maar niet door de telescoop	De zoeker afstellen (Zie Opbouw: Punt 12)
Traagheid de flexibele Hendels op de as boven de golf	Telescoop en Contragewicht zijn niet in de Balans
Wazig beeld	Controleer de Instelling van Hoofdspiegel

Telescoop ABC:

Wat betekenen de volgende termen?

Barlow-lens:

De Barlow-lens is genoemd naar zijn uitvinder Peter Barlow, een Brits wis- en natuurkundige die leefde van 1776-1862. De lens kan worden gebruikt om de brandpuntsafstand van een telescoop te vergroten. Afhankelijk van het type lens is het mogelijk om de brandpuntsafstand te verdubbelen of zelfs te verdrievoudigen. Dit kan natuurlijk ook de vergroting verruimen. Zie ook "Oculair". Deze telescoop heeft een 3x Barlow-lens.

Brandpuntsafstand:

Alles wat een voorwerp via optiek (lens) vergroot, heeft een bepaalde brandpuntsafstand. De brandpuntsafstand is de lengte van de weg die het licht aflegt van het oppervlak van de lens naar het brandpunt. Het brandpunt wordt ook wel focus genoemd. In focus: het beeld is scherp. Bij een telescoop worden de brandpuntsafstanden van de telescoop en het oculair gecombineerd.

Lens:

De lens leidt het invallende licht zo om, dat het na een bepaalde afstand (brandpuntsafstand) een scherp beeld oplevert in het brandpunt.

Oculair:

Een oculair is een kijksysteem dat bestaat uit een of meerdere lenzen. Met een oculair wordt het scherpe beeld dat in het brandpunt van een lens wordt gevormd, opgenomen en opnieuw vergroot.

Vergroting:

De vergroting komt overeen met het verschil tussen kijken met het blote oog en kijken door een vergrotingsapparaat (b.v. een telescoop). De waarneming met het blote oog wordt beschouwd als enkelvoudige of 1x vergroting. Als een telescoop een vergroting heeft van 30x, kunt u een object door de telescoop 30x groter zien dan met het blote oog. Zie ook "Oculair".

! OPMERKINGEN OVER HET REINIGEN

Reinig de lenzen (oculairs en/of objectieven) alleen met een zachte en pluisvrije doek (bijvoorbeeld microvezel). Druk niet te hard op het doekje om krassen op de lenzen te voorkomen.

Om sterkere vuilresten te verwijderen: bevochtig het reinigingsdoekje met brillenreinigingsvloeistof en veeg de lenzen ermee af met geringe druk.

Bescherm het apparaat tegen stof en vocht! Laat het na gebruik enige tijd bij kamertemperatuur acclimatiseren - vooral als de luchtvochtigheid hoog is. Zo kan het resterende vocht verdampen. Zet de stofkapsjes erop en berg het op in de bijgeleverde zak.

**VERWIJDERING**

Gooi de verpakkingsmaterialen weg volgens de geldende regels. Informatie over de juiste verwijdering krijgt u bij de gemeentelijke afvalverwerkingsdienst of het milieugentschap.

Let op de geldende wettelijke voorschriften bij de afvalverwerking van het apparaat. Informatie over de juiste manier van afvalverwerking kan worden verkregen bij de gemeentelijke afvalverwerkingsdienst of het Milieugentschap.

GARANTIE

De normale garantieperiode is 2 jaar en gaat in op de dag van aankoop. Om te profiteren van een verlengde, vrijwillige garantieperiode zoals aangegeven op de geschenkverpakking, is een registratie op onze website vereist.

De volledige garantievoorwaarden en informatie over de services en de verlenging van de garantie zijn te vinden op www.bresser.de/garantiebedingen.

Informazioni generali

Informazioni su questo manuale

Leggere attentamente le avvertenze di sicurezza riportate in questo manuale. Per evitare il rischio di danni al prodotto e lesioni personali, usare il prodotto esclusivamente come descritto nel manuale. Conservare il manuale a portata di mano per poter consultare rapidamente le istruzioni.



PERICOLO

Questo simbolo precede istruzioni importanti per evitare il rischio di lesioni gravi, anche mortali, dovute all'uso improprio del prodotto.



ATTENZIONE

Questo simbolo precede istruzioni importanti per evitare il rischio di danni a beni materiali o all'ambiente.

Destinazione d'uso

Questo prodotto è destinato al solo uso privato. È progettato per la visualizzazione ingrandita degli oggetti naturali.

Avvertenze generali



RISCHIO DI CECITÀ

Non usare questo prodotto per guardare direttamente il sole o aree in diretta prossimità del sole. Ciò comporta il rischio di cecità.



RISCHIO DI SOFFOCAMENTO

I bambini possono usare il prodotto esclusivamente sotto la supervisione di un adulto. Conservare i materiali di imballaggio, come sacchetti di plastica ed elastici, fuori dalla portata dei bambini per evitare il rischio di soffocamento.



RISCHIO DI INCENDIO

Non esporre il prodotto, in particolare le lenti, alla luce solare diretta. La concentrazione di luce comporta il rischio di incendio.



ATTENZIONE

Non disassemblare il prodotto. Se è difettoso, contattare il rivenditore. Il rivenditore contatterà il centro di assistenza e provvederà alla riparazione, se necessario.

Non esporre il prodotto a temperature elevate.



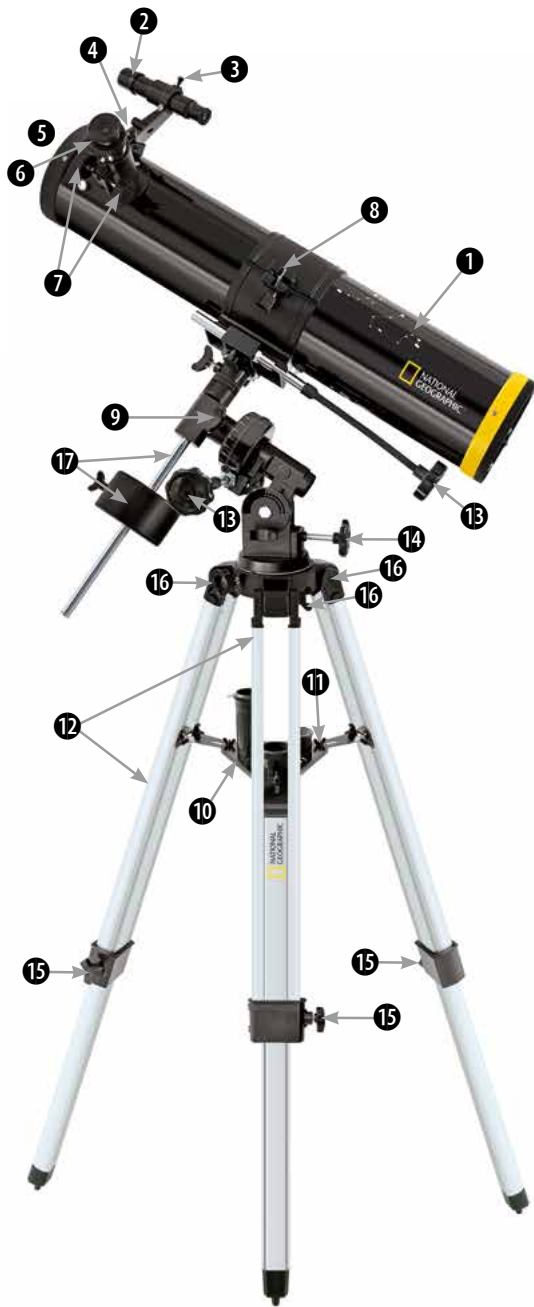
Protezione della privacy

Questo prodotto è destinato al solo uso privato. Rispettare la privacy delle altre persone. Ad esempio, non usare il prodotto per osservare l'interno di appartamenti.

Contenuto della confezione

A		<ul style="list-style-type: none"> 1 Tubo ottico (OTA) 2 Cappuccio di protezione
B		<ul style="list-style-type: none"> 3 Montatura
C		<ul style="list-style-type: none"> 4 Vite di regolazione della latitudine 5 Cercatore 5x24 6 Manopole di regolazione fine 7 Asta del contrappeso 8 Lente di inversione 1,5X 9 Lente di Barlow 3X 10 Vassoio porta-accessori 11 Viti (testa del treppiede) 12 Viti (gambe del treppiede) 13 Viti del vassoio porta-accessori 14 Cacciavite 15 Supporto per smartphone 16 Oculare 17 Oculare 18 Oculare + filtro lunare
D		<ul style="list-style-type: none"> 19 Contrappeso
E		<ul style="list-style-type: none"> 20 Gambe del treppiede
		<ul style="list-style-type: none"> 21 Manuale di istruzioni 22 Mappa delle stelle 23 Mappa della luna

Componenti - Telescopio



- 1 Tubo ottico (OTA)
- 2 Cercatore
- 3 Viti di regolazione (cercatore)
- 4 Supporto del cercatore
- 5 Apertura dell'OTA
- 6 Connettore per oculare
- 7 Rotella di messa a fuoco
- 8 Anello dell'OTA
- 9 Montatura
- 10 Vassoio porta-accessori
- 11 Viti di fissaggio (vassoio)
- 12 Gambe del treppiede
- 13 Manopole flessibili di regolazione fine
- 14 Vite di regolazione della latitudine
- 15 Viti (gambe del treppiede)
- 16 Viti (testa del treppiede)
- 17 Contrappeso + asta

Componenti - Accessori



Oculari



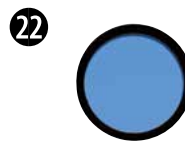
Cercatore 5x24



Lente di Barlow 3X



Lente di inversione 1,5X



Filtro lunare



Software di astronomia (da scaricare)



Supporto per smartphone

- 18 Oculari: 8/12,5/30 mm
- 19 Cercatore 5x24
- 20 Lente di Barlow 3X
- 21 Lente di inversione 1,5X
- 22 Filtro lunare
- 23 Software di astronomia (da scaricare)
- 24 Supporto per smartphone



DOWNLOAD DEL SOFTWARE DI ASTRONOMIA:

www.bresser.de/download/EQ/Astro_Software

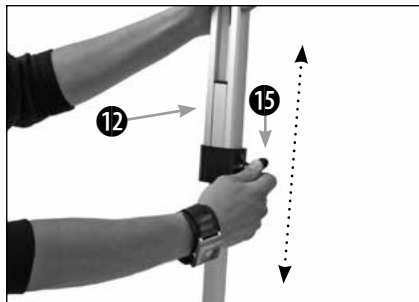
1. Posizionamento

Prima di iniziare l'assemblaggio del telescopio è necessario individuare un luogo di installazione adatto. Si raccomanda di installare il telescopio in un luogo con una chiara visuale del cielo, un pavimento stabile e sufficiente spazio libero.

Per prima cosa, estrarre tutti i componenti dalla confezione. Verificare che siano presenti tutti i componenti illustrati in precedenza.

Importante! Avvitare le viti esclusivamente a mano per evitare di serrarle eccessivamente

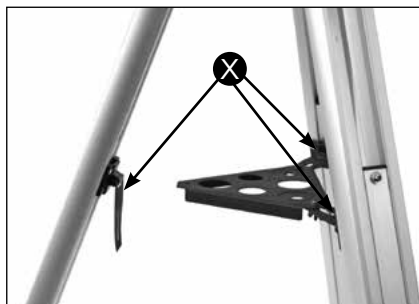
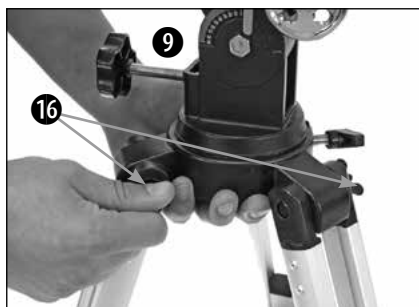
2. Assemblaggio - Gambe del treppiede



Per prima cosa, estendere la parte centrale di ciascuna gamba del treppiede (12) fino alla lunghezza desiderata.

Quindi inserire le viti di fissaggio (15) nelle gambe del treppiede e serrarle.

3. Assemblaggio - Montatura + treppiede



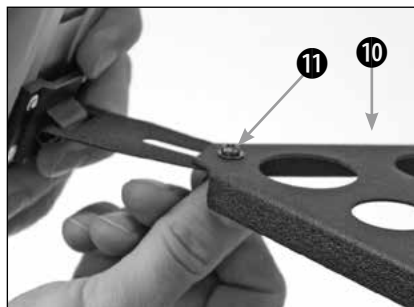
La montatura (9) deve essere fissata saldamente sulla testa del treppiede.

Inserire una vite (16) e una rondella attraverso uno dei fori sulla testa del treppiede e il foro su una delle staffe della montatura. Quindi inserire la seconda rondella e il dado a farfalla e serrarli.

Procedere allo stesso modo con le due staffe rimanenti. Assicurarsi che la montatura sia fissata saldamente al treppiede, come se fossero una cosa sola.

Assicurarsi che i supporti (X) del vassoio porta-accessori si trovino all'interno delle gambe del treppiede.

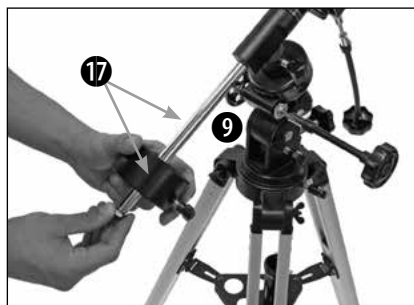
4. Assemblaggio - Vassoio porta-accessori



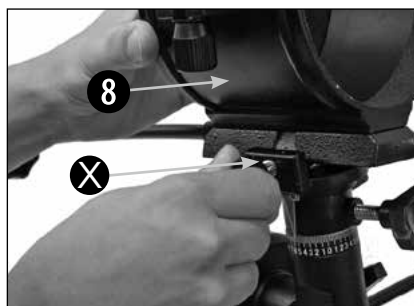
Tenere il vassoio porta-accessori (10) in corrispondenza dei supporti del vassoio sulle gambe del treppiede.

Infilare i tre bulloni con dado a farfalla (11) attraverso i supporti e il vassoio dal basso verso l'alto, serrandoli saldamente.

5. Assemblaggio - Montatura

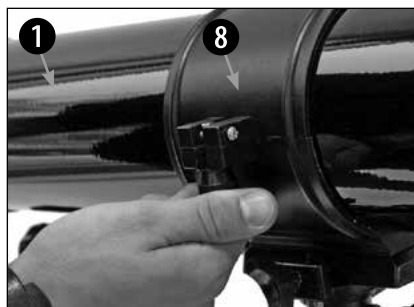


Dopo aver fissato la montatura (9), posizionare il contrappeso sull'asta del contrappeso (17), quindi avvitarlo saldamente sulla montatura dal basso. La vite di fissaggio è confezionata insieme al contrappeso.



Posizionare l'anello dell'OTA (8) sulla montatura e fissarlo con la vite (X).

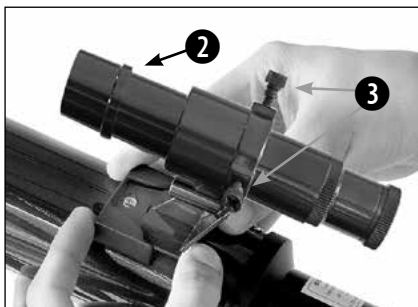
6. Assemblaggio - Tubo



Per il fissare il tubo ottico (1), svitare le viti sull'anello dell'OTA (8) e aprire l'anello.

Posizionare il tubo OTA al centro dell'anello. Chiudere l'anello e fissarlo serrando le viti.

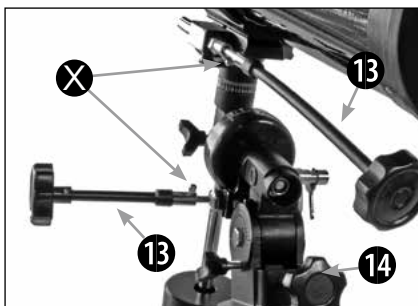
7. Assemblaggio - Cercatore



Inserire il cercatore (2), come illustrato, nel suo supporto.

Quindi serrare delicatamente le viti di regolazione (3) in modo tale che non possa cadere.

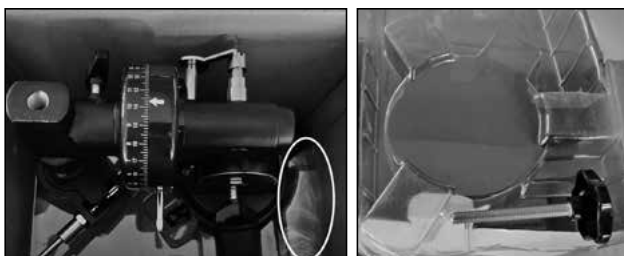
8. Assemblaggio - Manopole flessibili



Le manopole flessibili (13) devono essere fissate alla montatura (X) per poter regolare con precisione gli assi di declinazione e ascensione retta.

Per fissare le manopole, avvitare saldamente le viti all'interno dei fori sulla montatura.

9. Assemblaggio - Vite di regolazione della latitudine



La vite di regolazione della latitudine (altezza del polo) si trova sotto l'ultimo vassoio della scatola con gli accessori. Fissare la vite come illustrato in figura (X).

10. Installazione dell'oculare



Insieme al telescopio sono forniti tre oculari.

Ciascun oculare corrisponde a un diverso ingrandimento. Prima di inserire l'oculare, rimuovere il cappuccio protettivo dal connettore per oculare (6).

Allentare la vite (X) sul connettore per oculare e inserire l'oculare da 30 mm. Serrare nuovamente la vite (X) sul connettore per oculare.

11. Cappucci di protezione

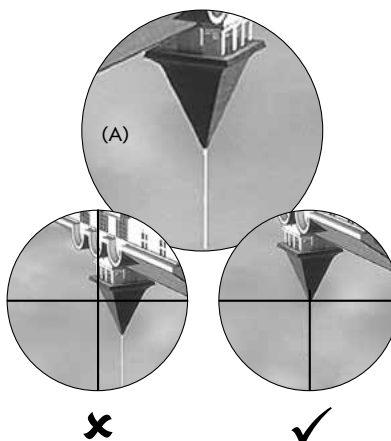


Per impedire l'ingresso di polvere e sporcizia all'interno del telescopio, l'apertura del tubo ottico è protetta da un cappuccio di protezione. Prima di usare il telescopio è necessario rimuovere entrambi i cappucci dall'apertura.

Importante! Questo telescopio non deve essere usato per l'osservazione solare.

AVVERTENZA! NON GUARDARE DIRETTAMENTE IL SOLE! RISCHIO DI CECITÀ!

12. Regolazione del cercatore



Prima di usare il telescopio è necessario regolare il cercatore: il tubo OTA e il cercatore devono essere paralleli tra loro. Puntare il telescopio (figura A) verso un oggetto prominente distante circa 300-500 metri usando un oculare ad alto ingrandimento (ad esempio l'oculare da 8 mm o da 12,5 mm). Guardare attraverso il cercatore e spostarlo ruotando le 6 viti di regolazione (3) finché l'oggetto non si trova al centro del reticolo.

Ora il telescopio è pronto per l'uso.

Utilizzo del telescopio



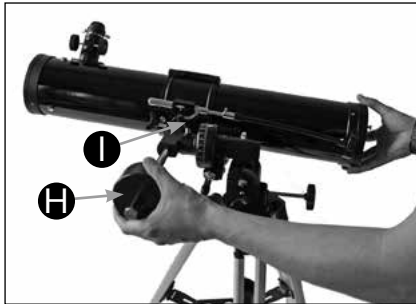
- | | |
|---|---|
| A Anello dell'OTA | G Vite di fissaggio e regolazione dell'asse di latitudine |
| B Rotella di messa a fuoco | H Contrappeso |
| C Scala dell'asse di declinazione | I Vite di fissaggio dell'asse di ascensione retta |
| D Vite di fissaggio dell'asse di declinazione | J Altitudine dell'ascensione retta |
| E Manopola di regolazione fine dell'asse di declinazione | K Manopola di regolazione fine dell'asse di ascensione retta |
| F Scala dell'asse di latitudine | L Vite di fissaggio dell'allineamento orizzontale |

13. Utilizzo - Preparazione

Per la maggior parte delle osservazioni è essenziale un luogo molto buio, perché l'inquinamento luminoso può ridurre la visione notturna.

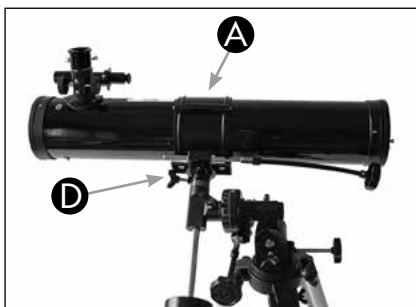
Non osservare il cielo da locali chiusi. Si raccomanda di installare il telescopio almeno 30 minuti prima dell'osservazione affinché si acclimati. Inoltre, assicurarsi che il telescopio sia posizionato su un pavimento stabile e uniforme. Si raccomanda di familiarizzarsi con il funzionamento del telescopio durante il giorno per facilitarne l'utilizzo durante le osservazioni notturne.

14. Utilizzo - Bilanciamento



Per evitare danni ai componenti sensibili del telescopio, è necessario bilanciare i due assi prima dell'osservazione.

Per bilanciare l'asse di ascensione retta, allentare le viti di fissaggio (I) e portare l'asta del contrappeso in posizione orizzontale. Regolare il contrappeso (H) sull'asta in modo tale che il tubo OTA e il contrappeso rimangano in posizione orizzontale. Quindi serrare la vite di fissaggio (I) dell'asse di ascensione retta.



Per bilanciare l'asse di declinazione, allentare la vite di fissaggio (D) dell'asse di declinazione. Quindi allentare le viti dell'anello dell'OTA (A). Spostare il tubo ottico in modo tale che rimanga in posizione orizzontale.

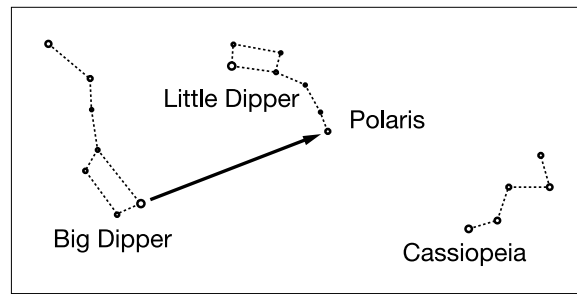
Ricordarsi di serrare nuovamente le viti di fissaggio.

15. Utilizzo - Allineamento

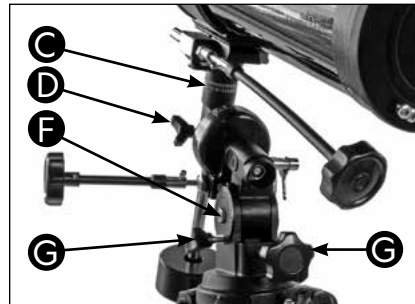


Ora puntare l'intero telescopio con l'apertura dell'OTA rivolta verso nord. Si raccomanda di usare una bussola.

Per fare ciò, allentare la vite di fissaggio (L). Quindi ruotare il tubo OTA verso nord. Serrare la vite di fissaggio (L).



16. Utilizzo - Latitudine



Allentare la vite di fissaggio (G) per regolare l'asse di latitudine (F). Usare la vite di regolazione (G) per modificare l'angolazione. L'angolazione dell'asse dipende dalla latitudine della propria posizione (ad esempio, Londra 51°, Dublino 53°, Glasgow 56°, Manchester 53°, Birmingham 52°, Cork 52°).

Ricordarsi di serrare nuovamente la vite di fissaggio.

Quindi regolare l'asse di declinazione (C) a 90° usando la vite di fissaggio (D). Il telescopio è allineato parallelamente all'asse terrestre.

SUGGERIMENTO: i gradi di latitudine della propria località si trovano in qualsiasi atlante, sul bordo destro o sinistro di una mappa o su Internet.

17. Utilizzo - Cercatore



Ora il telescopio è allineato e regolato in modo approssimativo. Per ottenere una posizione di osservazione confortevole, allentare le viti sull'anello dell'OTA (A) per poter ruotare il tubo ottico. Portare l'oculare e il cercatore in una posizione confortevole per l'osservazione.

Il cercatore serve per la regolazione fine. Guardare attraverso il cercatore e portare la stella polare al centro del cercatore.



Usare le manopole flessibili dell'asse di ascensione retta (K) e dell'asse di declinazione (E) per una regolazione fine. Importante! La manopola di regolazione fine dell'asse di declinazione è regolabile fino a un massimo di 30 gradi circa.

18. Utilizzo - Osservazione



Dopo aver individuato la stella polare con il cercatore, la stella polare deve essere visibile attraverso l'oculare.

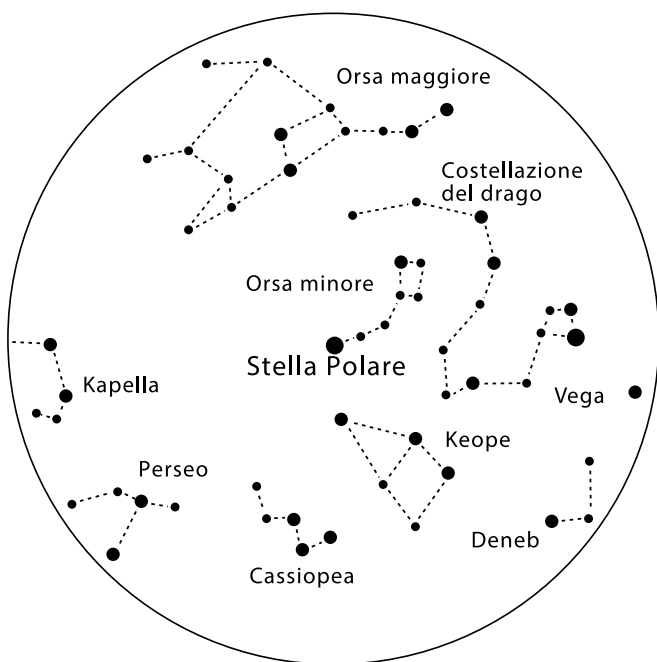
Se necessario, è possibile allineare la stella con maggiore precisione usando le manopole flessibili, ed è possibile regolare la messa a fuoco con la rotella di messa a fuoco (B).

Quando è correttamente a fuoco, la stella deve apparire a forma di punta.

Ora è possibile cambiare gli oculari per aumentare o diminuire l'ingrandimento.

SUGGERIMENTO: iniziare ciascuna osservazione con un oculare a basso ingrandimento (30 mm).

19. Utilizzo - Trovare una stella



All'inizio potrebbe essere difficile orientarsi nel cielo notturno, dato che le stelle e le costellazioni sembrano muoversi, e la loro posizione nel cielo varia in base alla stagione, alla data e all'ora. La stella polare, conosciuta anche con il nome di Polaris, è l'eccezione. È una stella fissa ed è il punto di partenza di tutte le mappe stellari nell'emisfero settentrionale.

Per iniziare, si raccomanda di individuare le costellazioni e i gruppi stellari più conosciuti che sono visibili tutto l'anno. La posizione degli oggetti celesti dipende dalla data e dall'ora.

Dopo aver allineato con precisione il telescopio con una stella, questa scomparirà dal campo visivo dopo qualche minuto. Per ovviare a questo effetto, ruotare la manopola flessibile (K) dell'asse di ascensione retta, e il telescopio seguirà la traiettoria della stella.

20. Utilizzo - Accessori

Il telescopio è fornito di 3 oculari. Sostituendo gli oculari è possibile modificare l'ingrandimento del telescopio. Per le migliori prestazioni, l'ingrandimento massimo raccomandato è 152X.

Suggerimento:
Lunghezza focale / Oculare = Ingrandimento
700 mm / 30 mm = **23 x**

Con la lente di inversione 1,5X:
700 mm / 8 mm = 87,5x x 1,5 = **131x**

Usando la lente di Barlow è possibile triplicare l'ingrandimento di ciascun oculare.

Con la lente di Barlow 3X:
700 mm / 8 mm = 87,5x x 3 = **262x**

21. Utilizzo - Disassemblaggio

Al termine dell'osservazione del cielo notturno, si raccomanda di riporre l'intero telescopio in un'area asciutta e ben ventilata.

Ricordarsi di posizionare i cappucci di protezione sull'apertura dell'OTA e sul connettore per oculare. Inoltre, riporre tutti gli oculari e gli accessori ottici nei contenitori corrispondenti.

21. Supporto per smartphone



Aprire il supporto flessibile e inserire il proprio smartphone. Chiudere il supporto e assicurarsi che lo smartphone sia fissato saldamente. La fotocamera deve essere posizionata esattamente sopra l'oculare. Allentare la manopola sul retro del supporto e portare l'oculare sulla fotocamera dello smartphone. Quindi serrare la manopola e fissare il supporto per smartphone sull'oculare del telescopio. Aprire l'app della fotocamera. Se l'immagine non è centrata sullo schermo, allentare leggermente la manopola del supporto e regolarlo nuovamente. Potrebbe essere necessario usare la funzione di ingrandimento per visualizzare l'immagine a tutto schermo. Sui bordi potrebbe apparire una leggera ombreggiatura. Rimuovere lo smartphone dal supporto dopo l'uso.

AVVERTENZA

Assicurarsi che il proprio smartphone non possa cadere dal supporto. Bresser GmbH declina ogni responsabilità per eventuali danni causati dalla caduta dello smartphone.

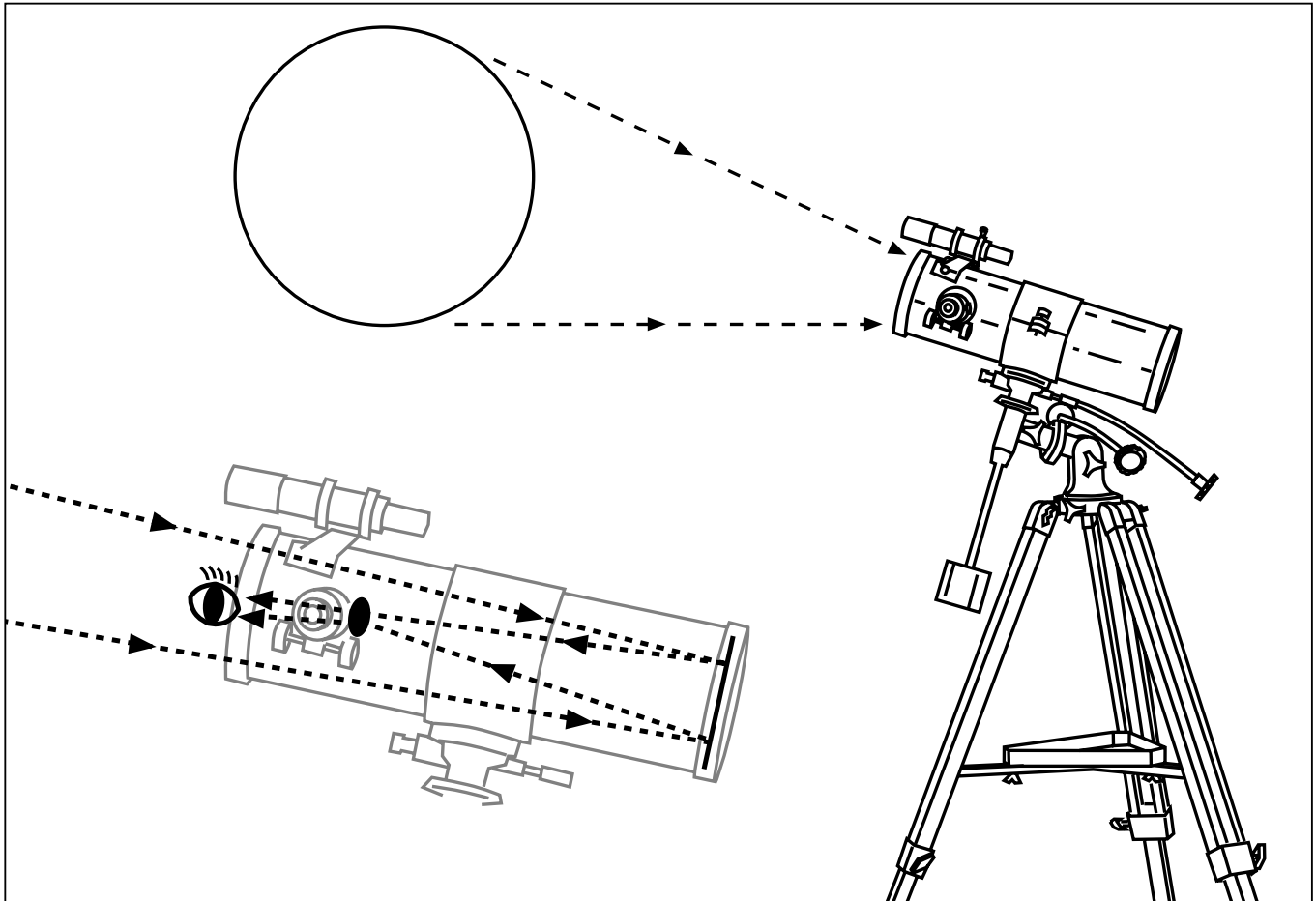
23. Utilizzo - Pulizia

Il telescopio è uno strumento ottico di alta qualità. Non deve entrare a contatto con polvere o umidità.

Se polvere o sporcizia entrano a contatto con il telescopio, rimuoverle con una spazzola morbida, quindi pulire l'area con un panno morbido. Il modo migliore per rimuovere le impronte digitali dalle superfici ottiche è usare un panno morbido e privo di pelucchi inumidito con dell'alcol.

Se polvere o umidità sono penetrate all'interno del telescopio, non tentare di pulirlo ma portarlo presso un centro di assistenza.

Principio di funzionamento del telescopio riflettore



24. Download del software di astronomia

Il software di astronomia Stellarium è scaricabile all'indirizzo www.bresser.de/download/EQ/Astro_Software

Stellarium_Manuale

Scaricare il manuale nella propria lingua in formato PDF.

Stellarium_Software

Windows: scaricare ed eseguire il file di installazione con estensione .exe
MacOS: scaricare ed eseguire il file di installazione con estensione .dmg



Download

Specifiche tecniche

Telescopio

Lunghezza focale: 694,2 mm

Apertura libera: 75,2 mm

Cercatore

Ingrandimento: 5x

Diametro: 24 mm

Campo visivo: 5,8°

Accessori

Oculari: 8 + 12,5 + 30 mm

Cercatore 5x24

Lente di inversione 1,5X

Lente di Barlow 3X

Treppiede in alluminio

Montatura EQ-3

Ingrandimento

Oculare da 30 mm: 23X

Oculare da 12,5 mm: 56X

Oculare da 8 mm: 87,5X

Ingrandimento con lente di inversione 1,5X

Oculare da 30 mm: 35X

Oculare da 12,5 mm: 84X

Oculare da 8 mm: 131X

Ingrandimento con lente di Barlow 3X

Oculare da 30 mm: 70X

Oculare da 12,5 mm: 168X

Oculare da 8 mm: 262X

La lente di inversione e la lente di Barlow NON DEVONO ESSERE USATE INSIEME.

Risoluzione dei problemi

Problema	Soluzione
Nessuna immagine.	Rimuovere il cappuccio di protezione dall'apertura del telescopio.
Immagine sfocata.	Regolare la messa a fuoco con la rotella di messa a fuoco.
Impossibile regolare la messa a fuoco.	Attendere che il telescopio si acclimi.
Immagine di scarsa qualità	Non osservare attraverso una superficie di vetro.
L'oggetto è visibile nel cercatore, ma non attraverso il telescopio.	Regolare il cercatore (capitolo Assemblaggio, paragrafo 12).
Pesantezza delle manopole dell'asse sull'asta.	Il telescopio e il contrappeso non sono bilanciati.
Immagine sfocata.	Controllare la regolazione dello specchio principale

Glossario del telescopio

Di seguito sono riportati i significati di alcuni termini frequenti.

Lente di Barlow

La lente di Barlow prende il nome dal suo inventore, Peter Barlow, un matematico e fisico britannico vissuto dal 1776 al 1862. Questa lente può essere utilizzata per aumentare la lunghezza focale di un telescopio. A seconda del tipo di lente, è possibile raddoppiare o perfino triplicare la lunghezza focale. Di conseguenza, anche l'ingrandimento può essere aumentato. Per ulteriori informazioni, vedere la voce Oculare. Questo telescopio è dotato di una lente di Barlow 3X.

Lunghezza focale

Tutto ciò che ingrandisce un oggetto tramite un'ottica (lente) ha una certa lunghezza focale. La lunghezza focale è la lunghezza della traiettoria che la luce percorre dalla superficie dell'obiettivo al suo punto focale. Il punto focale viene anche chiamato fuoco. Quando è a fuoco, l'immagine è nitida. Nel caso di un telescopio, le larghezze focali del tubo ottico e degli oculari vengono combinate.

Lente

La lente piega la luce che raccoglie in modo tale che la luce crei un'immagine nitida nel punto focale, dopo aver percorso una certa distanza (lunghezza focale).

Oculare

Un oculare è un sistema di visualizzazione composto da una o più lenti. L'oculare ingrandisce l'immagine nitida generata nel punto focale di una lente.

Ingrandimento

L'ingrandimento corrisponde alla differenza tra l'osservazione ad occhio nudo e l'osservazione attraverso un dispositivo di ingrandimento (come un telescopio). L'osservazione ad occhio nudo è considerata un ingrandimento singolo o 1X. Di conseguenza, se un telescopio ha un ingrandimento di 30X, un oggetto visto attraverso il telescopio appare 30 volte più grande di quanto appare ad occhio nudo. Per ulteriori informazioni, vedere la voce Oculare.

! NOTE sulla pulizia

Pulire gli oculari e le lenti esclusivamente con un panno morbido e privo di pelucchi, come un panno in microfibra. Per evitare di graffiare le lenti, applicare solo una leggera pressione con il panno per la pulizia.

Per rimuovere lo sporco più ostinato, inumidire il panno per la pulizia con una soluzione detergente per occhiali e strofinare delicatamente le lenti.

Proteggere il telescopio da polvere e umidità. Dopo l'uso, in particolare in condizioni di elevata umidità, lasciare acclimatare il telescopio per un breve periodo di tempo, in modo tale che l'umidità residua possa dissiparsi prima di riporlo. Rimuovere la copertura antipolvere e riporla nella custodia inclusa durante l'uso.



SMALTIMENTO

Smaltire correttamente i materiali di imballaggio in base al tipo, ad esempio carta o cartone. Contattare il servizio di raccolta dei rifiuti o l'autorità competente per informazioni sul corretto smaltimento.

Rispettare le normative in vigore durante lo smaltimento del prodotto. Per maggiori informazioni sul corretto smaltimento, contattare il gestore della raccolta dei rifiuti o un'agenzia ambientale.

GARANZIA

Il periodo di garanzia regolare è di 2 anni a decorrere dalla data di acquisto. Per prolungare volontariamente il periodo di garanzia come indicato sulla confezione regalo è necessario registrarsi al nostro sitoWeb.

Le condizioni di garanzia complete e maggiori informazioni sul prolungamento della garanzia e sui servizi sono disponibili all'indirizzo www.bresser.de/warranty_terms.

Información general

Sobre este manual de instrucciones

Lea atentamente las indicaciones de seguridad de este manual. Con el fin de evitar daños en el aparato o riesgo de lesiones, utilice este producto solamente de la forma descrita en el manual. Conserve el manual de instrucciones para poder volver a informarse sobre las funciones de manejo cuando lo necesite.



¡PELIGRO!

Encontrará este símbolo delante de cada sección de texto que trate sobre el riesgo de lesiones graves o incluso de muerte en caso de uso inadecuado.



¡ATENCIÓN!

Encontrará este signo delante de cualquier sección sobre funciones que impliquen daños materiales o medioambientales provocados por un uso indebido.

Uso previsto

Este producto está ideado únicamente para uso privado. Se desarrolló para una visualización aumentada de objetos de la naturaleza.

Advertencias generales



RIESGO DE CEGUERA

NUNCA use este dispositivo para mirar directamente al sol o a zonas próximas al sol. Hacerlo puede suponer un riesgo de ceguera.



RIESGO DE ASFIXIA

Los niños deben utilizarlo solo bajo supervisión de un adulto. Mantenga los materiales de embalaje, como bolsas de plástico y bandas de goma, fuera del alcance de los niños, ya que pueden suponer un riesgo de asfixia.



RIESGO DE INCENDIO

No coloque el dispositivo, especialmente las lentes, bajo la luz directa del sol. La concentración de los rayos de luz puede causar un incendio.



¡ATENCIÓN!

No desmonte el aparato. En caso de avería, póngase en contacto con su distribuidor. Este contactará con el servicio técnico y, dado el caso, enviará el aparato a reparación.

No exponga el aparato a altas temperaturas.



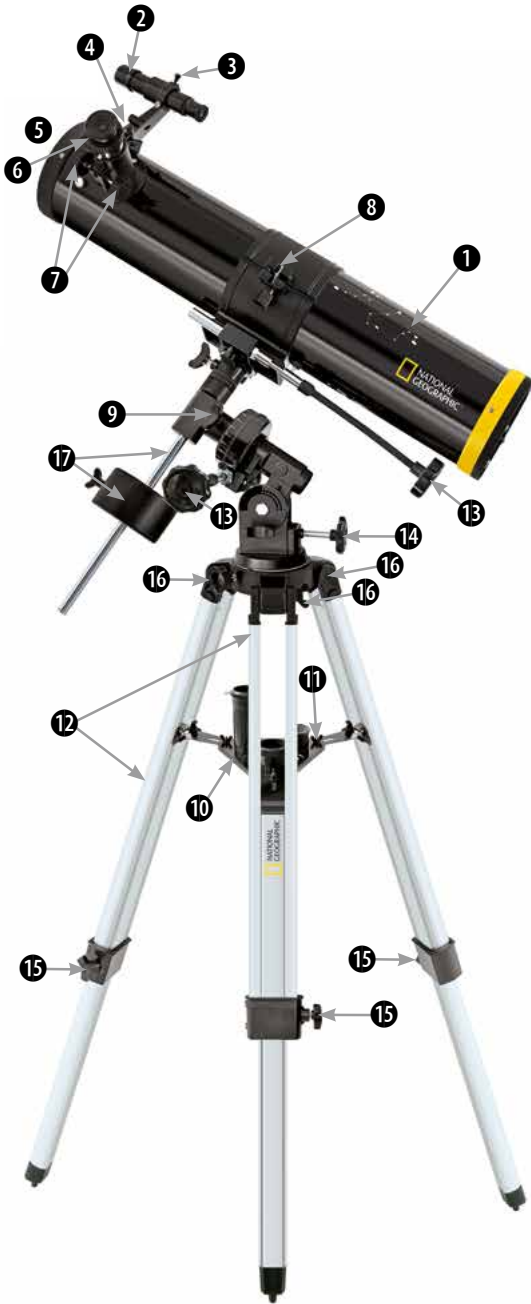
PROTECCIÓN DE PRIVACIDAD

Este producto está ideado únicamente para uso privado. Por favor, tenga en cuenta la privacidad de otras personas. No los use para mirar por las ventanas de otras casas, por ejemplo.

Incluye

A		<ul style="list-style-type: none"> 1 Tubo del telescopio (OTA) 2 Tapa de protección
B		<ul style="list-style-type: none"> 3 Montura
C		<ul style="list-style-type: none"> 4 Tornillo de ajuste de latitud 5 Visor 5x24 6 Asas para ajuste de precisión 7 Contrapeso + rod 8 Inversor de imagen 1.5X 9 3x Lentes Barlow 10 Bandeja de accesorios 11 Tornillos (cabeza de trípode) 12 Tornillos (patas del trípode) 13 Tornillos Bandeja de accesorios 14 Destornillador 15 Adaptador para Smartphone 16 Ocular 17 Ocular 18 Ocular + filtro lunar
D		<ul style="list-style-type: none"> 19 Contrapeso
E		<ul style="list-style-type: none"> 20 Pata del trípode
		<ul style="list-style-type: none"> 21 Manual de uso 22 Mapas de estrellas 23 Mapa de la Luna

Piezas - Construcción



- ❶ Conjunto del tubo óptico del telescopio (OTA)
- ❷ Visor
- ❸ Tornillos de ajuste (Visor)
- ❹ Visor deslizable
- ❺ Apertura de la OTA
- ❻ Conexión del ocular
- ❼ Rueda de enfoque
- ❽ Anillo OTA
- ❾ Montura
- ❿ Bandeja de accesorios
- ⓫ Tornillos de fijación (bandeja)
- ⓬ Pata del trípode
- ⓭ Asas flexibles para ajuste de precisión
- ⓮ Tornillo de ajuste de latitud
- ⓯ Tornillos (patas del trípode)
- ⓰ Tornillos (cabeza de trípode)
- ⓱ Contrapeso + rod

Piezas - Accesorios



Oculares



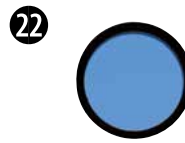
Visor 5x24



Lentes Barlow 3X



Inversor de imagen 1.5X



Filtro lunar



Software descargable



Adaptador para Smartphone

- ❸ Oculares: 8/12.5/30 mm
- ❹ Visor 5x24
- ❺ Lentes Barlow 3X
- ❻ Inversor de imagen 1.5X
- ❼ Filtro lunar
- ⓮ Software descargable
- ⓯ Adaptador para Smartphone



SOFTWARE ASTRONÓMICO (PARA DESCARGAR)

www.bresser.de/download/EQ/Astro_Software

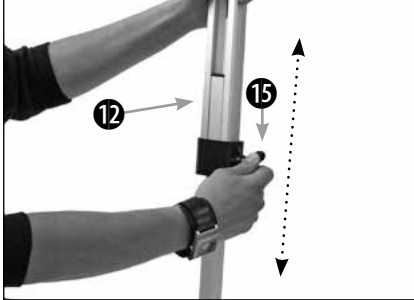
1. Instalación:

Antes de comenzar el montaje, debe elegir un lugar adecuado para su telescopio. Es útil instalar este instrumento en un lugar donde se tenga una visión clara del cielo, una base estable y suficiente espacio a su alrededor.

En primer lugar, saque todas las piezas del embalaje. Utilice el diagrama para comprobar que todas las piezas están incluidas.

Importante: Apriete los tornillos solo con los dedos para evitar apretarlos en exceso.

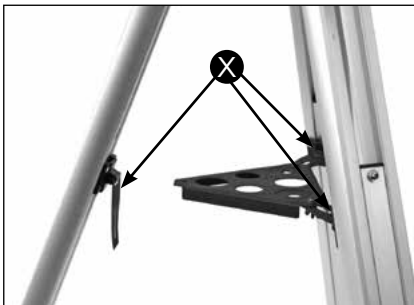
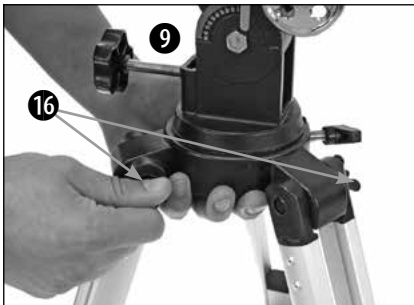
2. Montaje - Patas de trípode:



En primer lugar, extraiga la pieza central de cada una de las tres patas del trípode (12) a la longitud deseada.

A continuación, se introducen los tornillos de bloqueo (15) en las patas del trípode y se aprietan.

3. Ensamblaje - Montura + trípode:



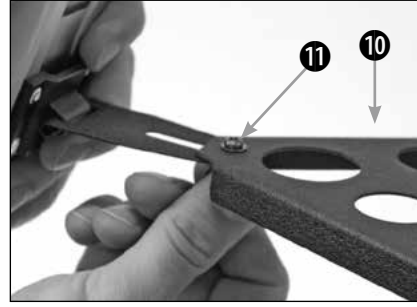
La montura debe estar unida a la cabeza del trípode, de modo que la montura (9) y el trípode queden firmemente conectados.

Los tornillos (16) se introducen con una arandela a través del orificio del cabezal del trípode y la fijación en el soporte. La segunda arandela y la tuerca de mariposa se enroscan y aprietan.

Proceda de la misma manera con las dos fijaciones restantes, hasta que la montura y el trípode estén sólidamente unidos como una sola pieza.

Asegúrese de que los soportes (X) para la bandeja de almacenamiento de accesorios están en el interior de las patas del trípode.

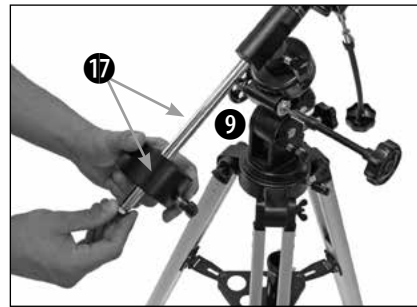
4. Ensamblaje - Bandeja de accesorios:



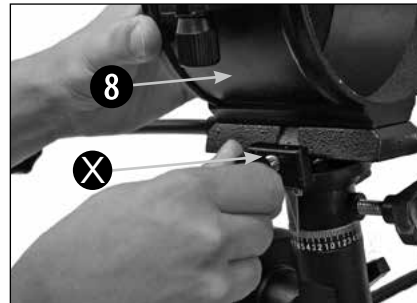
Sujete la bandeja de accesorios (10) a los soportes del trípode en las patas del mismo.

Atornille los tres pernos de tuerca de mariposa (11) desde abajo a través de los soportes en la bandeja de accesorios, asegurándolos firmemente.

5. Ensamblaje - Montaje:

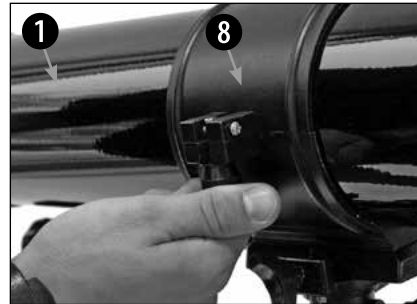


Primero prepare el soporte (9), coloque el contrapeso en la barra de contrapeso (17) y luego atornillelo firmemente en el soporte desde abajo. El tornillo requerido está empaquetado con el contrapeso.



El anillo OTA (8) debe colocarse ahora en el soporte y fijarse con el tornillo (X).

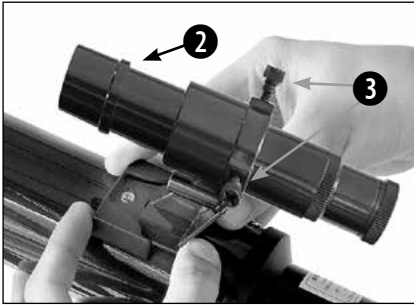
6. Ensamblaje - Tubo:



Para montar el tubo del telescopio (1) afloje los tornillos de los anillos OTA (8) y abra el anillo.

Coloque ahora el OTA en el centro del anillo. Cierre el anillo y fije el soporte apretando los tornillos.

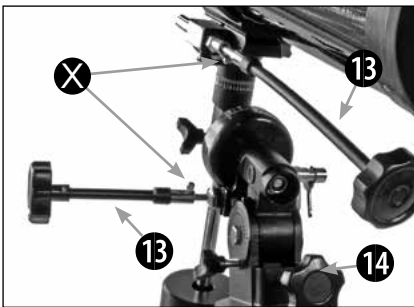
7. Ensamblaje - Visor:



Coloque primero el visor (2), como se indica, a través del soporte del visor.

A continuación, apriete suavemente los tornillos de ajuste (3), para que el telescopio no se caiga.

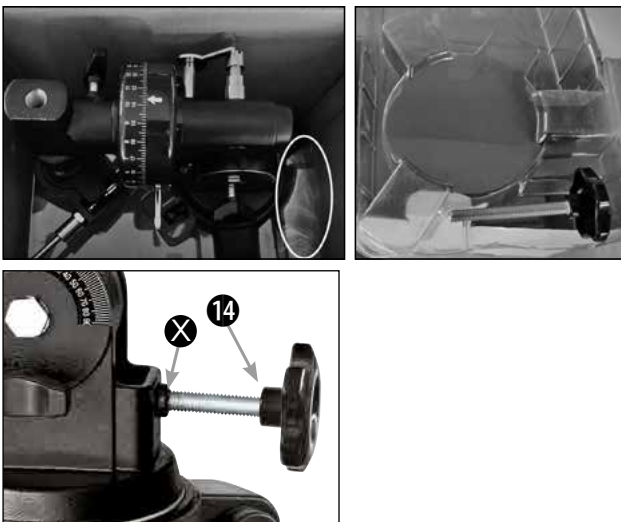
8. Ensamblaje - Asas flexibles:



Para facilitar el ajuste exacto y fino de la declinación y del eje de rectascensión, las asas flexibles (13) deben fijarse al soporte (X).

Asegure las asas, girando sólidamente los tornillos en las muescas del soporte.

9. Montaje - Tornillo de ajuste de latitud:



El tornillo para el ajuste de latitud (altura del poste) se encuentra debajo de la última incrustación en la caja de accesorios. Fije el tornillo como se muestra en la ilustración (X).

10. Configuración del ocular:



Con este telescopio se suministran tres oculares como accesorios estándar.

Puede decidir qué aumento quiere utilizar para su telescopio, intercalando los oculares. Antes de colocar el ocular, debe retirar la tapa de protección contra el polvo del tubo de conexión del ocular (6).

Afloje el tornillo (X) del tubo de conexión del ocular e introduzca el ocular 30 mm. Vuelva a apretar el tornillo (X) del tubo de conexión del ocular.

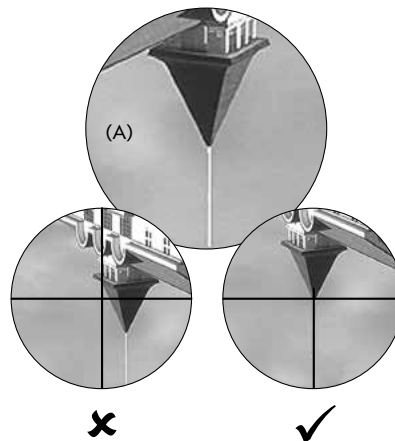
11. Tapa de protección:



Para proteger el interior de su telescopio del polvo y la suciedad, la abertura del tubo está protegida por una tapa antipolvo (Fig. 11, X). Para la observación, retire las dos tapas de la abertura.

Importante: Este telescopio no debe utilizarse para la observación solar. AVISO IMPORTANTE ;NUNCA MIRE AL SOL! ;PELIGRO DE CEGUERA!

12. Ajuste del visor:



El visor debe ser ajustado antes de su uso:
El visor y el tubo OTA deben ser paralelos entre sí.

Apunte el telescopio (imagen: A) a un objeto prominente a unos 300 - 500 m de distancia utilizando un ocular de gran aumento (por ejemplo: ocular de 8 mm o 12,5 mm).

Ahora mire a través del visor y muévelo girando los 6 tornillos de ajuste (3), hasta que vea el objeto en el centro del retículo.

El telescopio ya está listo para su uso.

Manejo de la montura

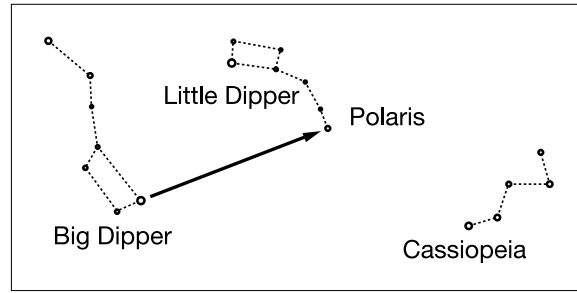


- A** Anillo OTA
- B** Rueda de enfoque
- C** Escala del eje de declinación
- D** Tornillo de fijación del eje de declinación
- E** Ajuste fino del eje de declinación
- F** Escala del eje de latitud
- G** Tornillo de fijación y ajuste del eje de latitud
- H** Contrapeso
- I** Tornillo de fijación del eje de ascensión derecha
- J** Posición de rectascensión
- K** Ajuste fino del eje de rectascensión
- L** Tornillo de fijación para la alineación horizontal

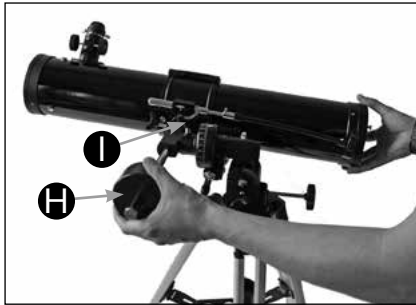
13. Manipulación - Preparación:

Un lugar oscuro es muy importante para la mayoría de las observaciones, porque las luces molestas pueden perjudicar la visión nocturna.

No observar desde lugares cerrados. Le recomendamos que monte su telescopio al menos 30 minutos antes de comenzar la observación, para garantizar el equilibrio de la temperatura. También debe asegurarse de que el telescopio está colocado sobre un suelo estable y uniforme. Lo mejor es que se acostumbre al telescopio y sus características durante el día. Esto le permitirá utilizarlo mejor.

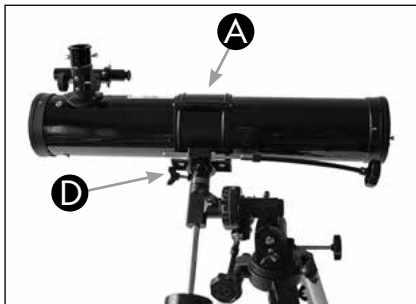


14. Manejo - Equilibrio:



Para evitar daños en las partes sensibles de la montura, los dos ejes deben equilibrarse ahora antes de la observación.

Aflojando los tornillos de fijación (I) e inclinando la barra de pesas en posición horizontal se puede equilibrar el eje de rectascensión. Ahora ajuste el contrapeso (H) en la varilla, hasta que el OTA y el peso queden en posición horizontal. Vuelva a apretar el tornillo de fijación (I) en el eje de rectascensión.



El eje de declinación se equilibra aflojando el tornillo de fijación (Fig15, D) del eje de declinación. A continuación, hay que aflojar los tornillos del soporte de la OTA (A). A continuación, mueva el tubo mientras permanece en posición horizontal.

No olvide volver a apretar el tornillo de fijación.

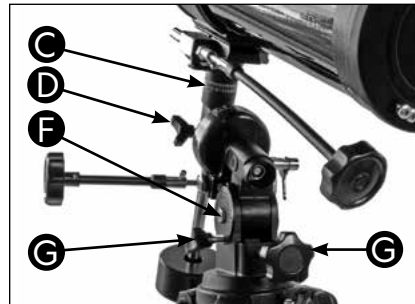
15. Manejo - Alineación:



Ahora apunte todo el telescopio con la abertura OTA en la parte delantera, hacia el norte. Utilice una brújula si la tiene.

Para ello, hay que aflojar el tornillo de bloqueo (L). A continuación, puede girar el telescopio OTA en la dirección norte exacta. A continuación, vuelva a apretar el tornillo de bloqueo (L).

16. Manejo - Latitud:



Ahora ajuste el eje de latitud (F) (Poleheight), aflojando el tornillo de fijación (G). Cambie el ángulo utilizando el tornillo de ajuste (G). El grado en el que se fija el eje depende del grado de latitud de su ubicación (por ejemplo, Londres 51°, Dublín 53°, Glasgow 56°, Manchester 53°, Birmingham 52°, Cork 52°). No olvide volver a apretar el tornillo de fijación.

A continuación, ajuste el eje de declinación (C), abriendo y cerrando el tornillo de fijación (D), a 90°. El telescopio está alineado en paralelo con el eje terrestre.

CONSEJO: Los grados de latitud de su ubicación exacta siempre se pueden encontrar en un atlas, en el borde derecho o izquierdo de un mapa o en Internet.

17. Manejo - Visor:



Su telescopio está ahora aproximadamente alineado y ajustado. Para obtener una posición de observación cómoda, debe aflojar los tornillos del soporte OTA (A), de modo que pueda girar el tubo del telescopio. Coloque el ocular y el visor en una posición en la que le resulte cómodo mirar por ambos. La alineación de precisión se realiza utilizando el visor. Mire a través del visor y centre a Polaris en el centro del visor.



Utilice las asas flexibles del eje de rectascensión (K) y del eje de declinación (E) para realizar ajustes finos. Importante: La palanca de declinación (E) solo es ajustable hasta un máximo de aproximadamente 30 grados.

18. Manipulación - Observación:



Después de localizar a Polaris en el visor, mire a través del ocular, Polaris debería ser visible.

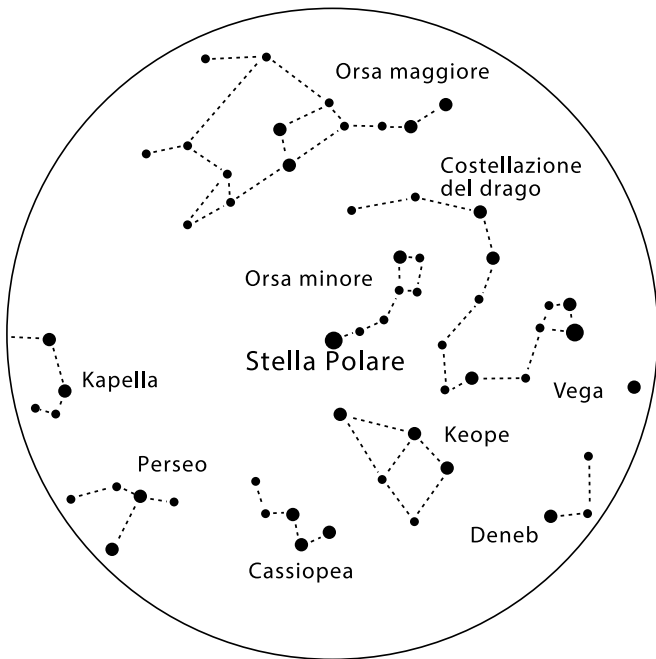
Si es necesario, puede alinear la estrella con mayor precisión con la ayuda de las asas flexibles, al igual que puede ajustar el enfoque utilizando la rueda de enfoque (B).

Una vez enfocada correctamente, la estrella debería tener forma de punta.

Ahora también puede intercambiar los oculares para aumentar o disminuir el aumento.

CONSEJO: Comience cada observación con un ocular de poco aumento (30 mm).

19. Manipulación - Encontrar una estrella:



Al principio le resultará difícil orientarse en el cielo nocturno, ya que las estrellas y las constelaciones parecen estar siempre en movimiento y, según la estación, la fecha y la hora, su posición en el cielo cambiará. La estrella Polar, también conocida como Polaris (Stella Polare), es la excepción. Es una estrella fija y el punto de partida de todos los mapas estelares del hemisferio norte.

Para empezar, hay que fijarse en algunas constelaciones y órdenes de grupos estelares muy conocidos que son visibles durante todo el año. La posición de los objetos celestes depende de la fecha y la hora.

Si ha alineado su telescopio con precisión sobre una de estas estrellas, comprobará que desaparece de su campo visual al cabo de unos minutos. Para compensar este efecto, debe girar el mango flexible (K) el eje de rectascensión y su telescopio seguirá la trayectoria de esta estrella.

20. Manipulación - Accesorios:

Su telescopio se suministra con 3 oculares. Intercambiando los oculares puede modificar el aumento de su telescopio. Para un mejor rendimiento, el aumento máximo recomendado es de 152X.

Sugerencia:
 Distancia focal: / Ocular = Aumentos
 700 mm / 30 mm = **23 x**

Inversor de imagen 1.5x

700 mm / 8 mm = 87.5x X **131x**

Utilizando la lente de Barlow se puede triplicar el aumento de cada uno de los oculares.

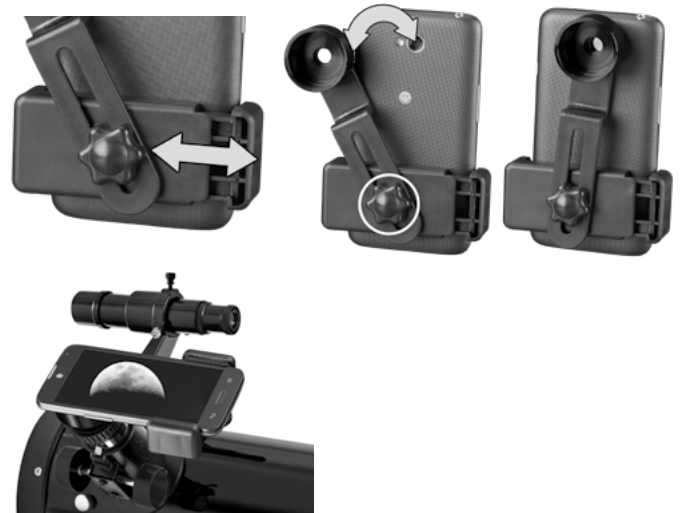
Usando la lente de Barlow 3x:
 700 mm / 8 mm = 87.5x x 3 = **262x**

21. Manipulación - Desmontaje:

Después de una observación, que deseamos interesante y exitosa, se recomienda guardar todo el telescopio en una habitación seca y bien ventilada.

No olvide colocar las tapas de protección contra el polvo en la abertura de la OTA y en la conexión del ocular. Además, debe guardar todos los oculares y accesorios ópticos en sus correspondientes contenedores.

21. Adaptador para Smartphone:



Abra el soporte flexible y coloque su smartphone en él. Cierre el soporte y asegúrese de que tu teléfono está bien sujeto. La cámara debe colocarse exactamente encima del ocular. Abra el clip de bloqueo en la parte posterior del soporte y ajuste el ocular exactamente en la cámara de su smartphone. A continuación, vuelva a apretar el clip de bloqueo y fije el adaptador para smartphone al ocular de su telescopio. Ahora inicie la aplicación de la cámara. Si la imagen aún no está centrada en su pantalla, afloje ligeramente el clip de bloqueo y reajústelo. Puede ser necesario utilizar la función de zoom para llenar el área de la imagen en la pantalla. Es posible un ligero sombreado en los bordes. Retire el Smartphone del soporte después de su uso.

AVISO IMPORTANTE

Asegúrese de que el smartphone no pueda salirse del soporte. Bresser GmbH no asume ninguna responsabilidad por los daños causados por la caída del smartphone.

23. Manipulación - Cuidado:

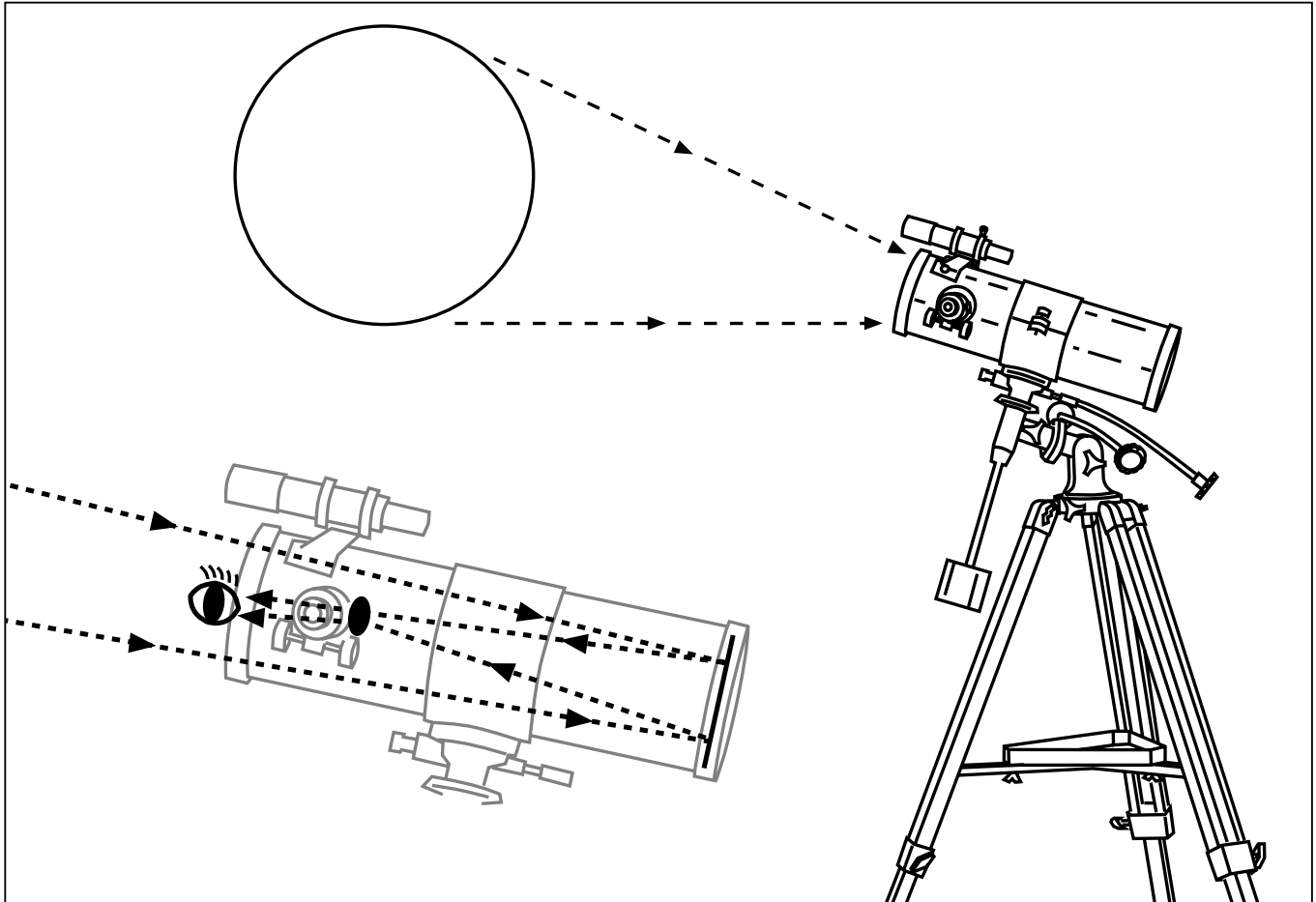
Su telescopio es un instrumento óptico de alta calidad. El telescopio no debe entrar en contacto con polvo o humedad.

Si, a pesar de todo, la suciedad o el polvo han entrado en contacto con su telescopio, deberá eliminarlos primero con un cepillo suave y, a continuación, limpiar la posición sucia con un paño suave.

La mejor manera de eliminar las huellas dactilares de las superficies ópticas es con un paño suave que no suelte pelusa y que haya sido tratado previamente con un poco de alcohol.

Si el polvo o la humedad han entrado en su telescopio, no intente limpiarlo usted mismo, debe enviarlo a su centro de servicio.

Principio - Reflector-telescopio:



24. Software astronómico (para descargar):

El software de astronomía Stellarium está disponible para su descarga en: www.bresser.de/download/EQ/Astro_Software

Stellarium_Manual

Descargue el PDF del manual en su idioma.

Stellarium_Software

Windows Descargue y ejecute el archivo de instalación con la extensión .exe
MacOS: Descargue y ejecute el archivo de instalación con la extensión .dmg



Descargar

Datos técnicos

Telescopio:

Distancia focal: 694.2 mm

Abertura: 75.2 mm

Buscador:

Aumentos: 5x

Diámetro: 24 mm

Campo visual: 5.8°

Accesorios:

Oculares: 8 + 12.5 + 30 mm

Visor 5x24

Inversor de imagen 1.5X

Lentes Barlow 3X

Trípode de aluminio

Montaje EQ-3

Aumentos:

Ocular de 30 mm: 23X

Ocular de 12,5 mm: 56X

Ocular de 8 mm: 87.5X

Aumentos con lente de elevación de 1,5X:

Ocular de 30 mm: 35X

Ocular de 12,5 mm: 84X

Ocular de 8 mm: 131X

Aumento con lente de Barlow 3X:

Ocular de 30 mm: 70X

Ocular de 12,5 mm: 168X

Ocular de 8 mm: 262X

La lente erectora y la lente de Barlow NO DEBEN UTILIZARSE JUNTAS.

Resolución de problemas:

Errores:

Sin imagen

Help:

Quitar el polvo Tapa de protección la apertura del objetivo.

Imagen borrosa

Ajustar el enfoque con rueda de enfoque

No se puede enfocar

Símbolo de la temperatura para equilibrar

Mala imagen

Nunca observe a través de una superficie de vidrio

Ver objeto visible en el buscador, pero no a través del telescopio

Ajustar el buscador (Ver Ensamblaje: Punto 12)

Carga en el flexible asas en el eje sobre el eje

Telescopio y contador el peso no está equilibrado

Imagen borrosa

Compruebe el ajuste del espejo principal

Telescope ABC:

¿Qué significan los siguientes términos?

Lentes Barlow:

La lente de Barlow debe su nombre a su inventor, Peter Barlow, matemático y físico británico que vivió entre 1776 y 1862. La lente puede utilizarse para aumentar la anchura focal de un telescopio. Dependiendo del tipo de lente, es posible duplicar o incluso triplicar la anchura focal. Como resultado, también se puede aumentar el aumento. También, ver Ocular. Este telescopio tiene una lente de Barlow de 3X.

Distancia focal:

Todo lo que aumenta un objeto mediante una óptica (lente) tiene una determinada distancia focal. La distancia focal es la longitud del camino que recorre la luz desde la superficie de la lente hasta su punto focal. El punto focal también se denomina foco. En el enfoque, la imagen es clara. En el caso de un telescopio, se combinan las anchuras focales del tubo del telescopio y de los oculares.

Lentes:

La lente desvía la luz que incide sobre ella de tal manera que la luz crea una imagen clara en el punto focal, después de haber recorrido una determinada distancia (distancia focal).

Ocular:

Un ocular es un sistema de visión compuesto por una o varias lentes. El ocular amplía la imagen clara generada en el punto focal de un objetivo.

Aumentos:

El aumento corresponde a la diferencia entre la observación a simple vista y la observación a través de un aparato de aumento (por ejemplo, un telescopio). La observación a simple vista se considera simple, o sea, con un aumento de 1X. Por lo tanto, si un telescopio tiene un aumento de 30X, un objeto visto a través del telescopio parecerá 30 veces más grande que a simple vista. Ver también Ocular.

! INSTRUCCIONES de limpieza

Limpie los oculares y/o lentes únicamente con un paño suave y sin pelusas (por ejemplo, un paño de microfibra). Para evitar rayar las lentes, no presione con fuerza el paño.

Para eliminar la suciedad más incrustada, humedezca el paño de limpieza con una solución limpiadora de gafas y limpie las lentes con suavidad.

Proteja el dispositivo del polvo y humedad. Después del uso, en particular en situaciones de mucha humedad, deje que el dispositivo se aclimate durante un breve período de tiempo, para que la humedad residual pueda disiparse. Retire la cubierta antipolvo y guárdela en la bolsa incluida durante su uso.

**RECICLAJE**

Elimine los materiales de embalaje separados por clases. Contacte con su punto limpio más cercano o la autoridad local competente para saber el procedimiento a seguir en caso de dudas.

Por favor, tenga en cuenta la normativa legal vigente sobre cómo deshacerse de su dispositivo. Póngase en contacto con su punto limpio más cercano o la autoridad local competente para saber el procedimiento a seguir si tiene dudas.

GARANTÍA

El período de garantía es de 2 años y comienza el día de la compra. Para beneficiarse de un período de garantía más largo, tal y como se indica en la caja, es necesario registrarse en nuestra página web.

Puede consultar las condiciones completas de la garantía, así como información sobre la ampliación del periodo de garantía y detalles de nuestros servicios en www.bresser.de/warranty_terms.

Informação geral

Acerca deste manual de instruções

Leia as instruções de segurança neste manual com atenção. Para evitar danos na unidade e o risco de ferimentos, use este produto apenas conforme descrito no manual. Guarde o manual de instruções por perto, de modo a que possa procurar facilmente informação sobre todas as funções.



PERIGO

Encontra este símbolo à frente de cada secção de texto que aborde o risco de ferimentos sérios ou até mesmo a morte no caso de utilização inadequada.



ATENÇÃO

Encontra este símbolo à frente de cada secção de texto que aborde o risco de danos patrimoniais ou ambientais.

Utilização prevista

Este produto foi criado apenas para um uso privado. Foi desenvolvido para a visualização ampliada de coisas na natureza.

Aviso geral



RISCO DE CEGUEIRA

Nunca use este dispositivo para olhar diretamente para o Sol ou para as proximidades do sol. Isso pode resultar num risco de cegueira.



RISCO DE ASFIXIA

As crianças só devem utilizar o dispositivo sob a supervisão de um adulto. Mantenha o material de empacotamento, como sacos de plástico e elásticos, fora do alcance das crianças, pois estes constituem um risco de asfixia.



RISCO DE INCÊNDIO

Não coloque o dispositivo, especialmente as lentes, exposto à luz direta do sol. A concentração de luz pode causar um incêndio.



ATENÇÃO

Não desmonte o dispositivo. No caso de defeito, contacte o seu revendedor. O revendedor irá então contactar o centro de reparação e, se necessário, pode enviar o dispositivo para ser reparado.






Não exponha o dispositivo a altas temperaturas.



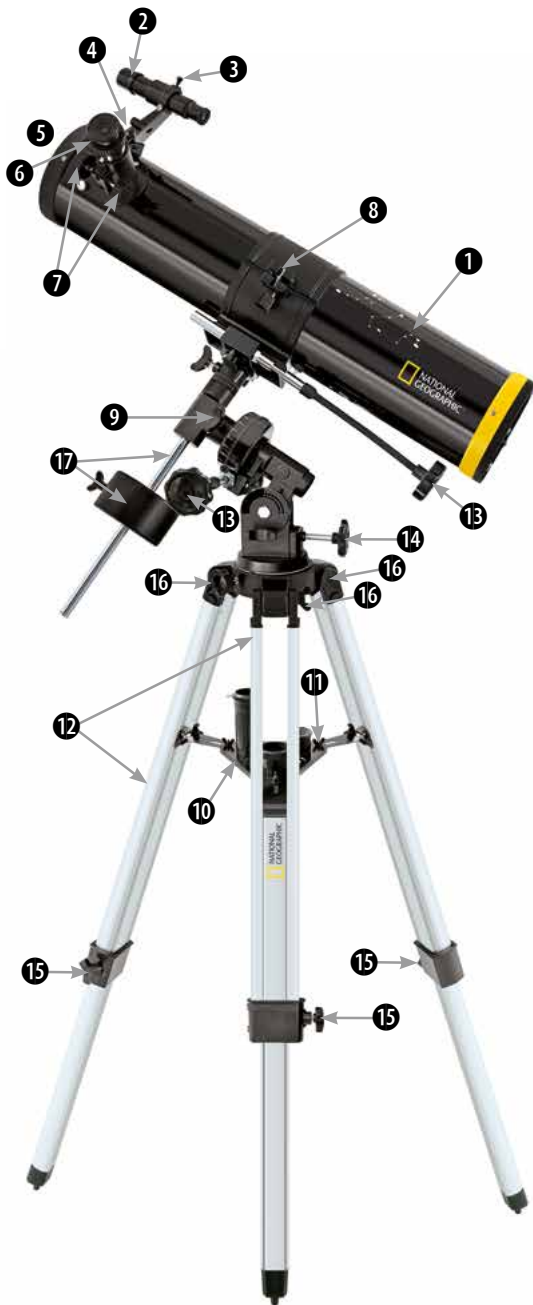
Proteção da privacidade

Este dispositivo foi criado apenas para uso privado. Por favor, respeite a privacidade das outras pessoas. Não use o dispositivo para olhar para apartamentos, por exemplo.

Âmbito de entrega

A		<ul style="list-style-type: none"> ❶ Tubo telescópico (OTA) ❷ Tampa de proteção
B		<ul style="list-style-type: none"> ❸ Encaixe
C		<ul style="list-style-type: none"> ❹ Parafuso para ajuste da latitude ❺ Apontador de 5x24 ❻ Pegas para ajuste preciso ❼ Haste de contrapeso ❽ Lente ergonómica de 1,5X ❾ Lente Barlow de 3X ❿ Bandeja de acessórios ⓫ Parafusos (cabeça do tripé) ⓬ Parafusos (pernas do tripé) ⓭ Parafusos (bandeja de acessórios) ⓮ Chave de fendas ⓯ Adaptador para Smartphone ⓰ Ocular ⓱ Ocular ⓲ Ocular + Filtro para a Lua
D		<ul style="list-style-type: none"> ❶❹ Contrapeso
E		<ul style="list-style-type: none"> ❶❷ Pernas do tripé
		<ul style="list-style-type: none"> ❶❸ Manual de instruções ❶❹ Mapa das estrelas ❶❺ Mapa da Lua

Peças - Construção



- 1 Conjunto do tubo óptico telescópico (TOT)
- 2 Apontador
- 3 Parafusos de ajuste (apontador)
- 4 Apontador deslizante
- 5 Abertura TOT
- 6 Ligação da ocular
- 7 Disco de focagem
- 8 Anel TOT
- 9 Encaixe
- 10 Bandeja de acessórios
- 11 Parafusos de fixação (bandeja)
- 12 Pernas do tripé
- 13 Pegas flexíveis para ajuste preciso
- 14 Parafuso para ajuste da latitude
- 15 Parafusos (pernas do tripé)
- 16 Parafusos (cabeça do tripé)
- 17 Contrapeso + haste

Peças - Acessórios



Oculares



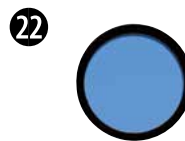
Apontador 5x24



Lente Barlow de 3X



Lente ergonómica de 1,5V



Filtro para a Lua



Software de astronomia por Download



Adaptador para Smartphone

- 18 Oculares: 8/12,5/30 mm
- 19 Apontador de 5x24
- 20 Lente Barlow de 3X
- 21 Lente ergonómica de 1,5V
- 22 Filtro para a Lua
- 23 Software de astronomia por Download
- 24 Adaptador para Smartphone



DOWNLOAD DO SOFTWARE DE ASTRONOMIA:

www.bresser.de/download/EQ/Astro_Software

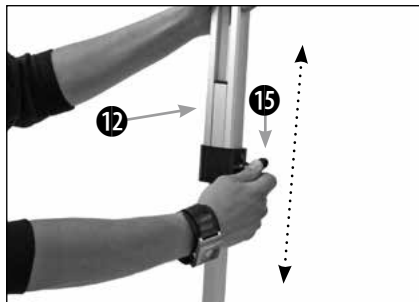
1. Geral/Localização:

Antes de começar a montagem, tem de seleccionar um local adequado para o seu telescópio. Ajuda, se montar este instrumento num local onde tenha uma vista nítida do céu, uma base estável e espaço suficiente.

Primeiro, retire todas as peças da embalagem. Usando o diagrama, verifique se tem todas as peças.

Importante: Aperte os parafusos apenas à mão, evitando um aperto excessivo.

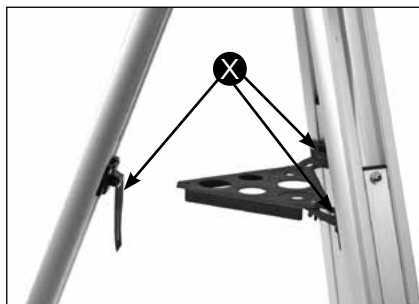
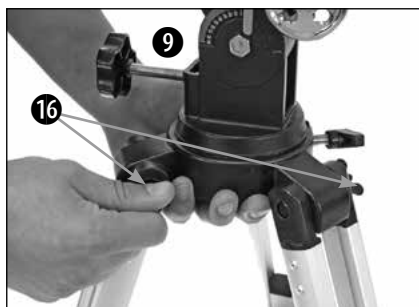
2. Montagem - Pernas do tripé:



Primeiro, puxe a peça do meio de cada perna do tripé (12) até ao comprimento desejado.

Os parafusos de fixação (15) são depois inseridos nas pernas do tripé e apertados.

3. Montagem - Encaixe + tripé:



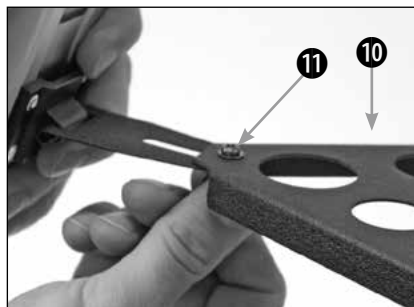
O encaixe tem de ser fixado na cabeça do tripé, de modo a que o encaixe (9) e o tripé fiquem bem fixados.

Os parafusos (16) são inseridos com uma anilha através do orifício na cabeça do tripé e o encaixe na peça do encaixe. A segunda anilha e a porca de asas são enroscadas e apertadas.

Proceda do mesmo modo com os dois encaixes restantes, até que o encaixe e o tripé estejam bem fixados um ao outro.

Certifique-se de que os suportes (X) da bandeja de arrumação dos acessórios estão no interior das pernas do tripé.

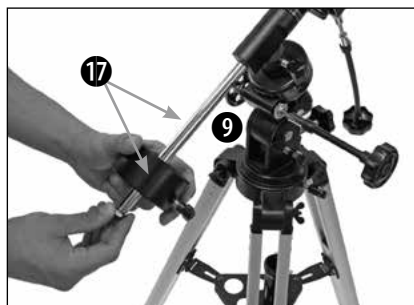
4. Montagem - Bandeja dos acessórios:



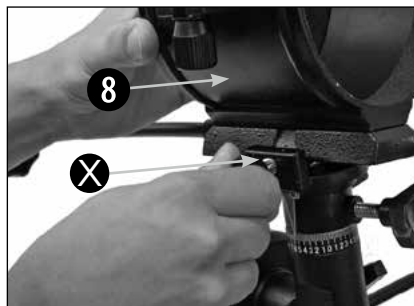
Fixe a bandeja dos acessórios (10) nos suportes do tripé nas pernas do tripé.

Enrosque os três parafusos da porca de asas (11) na parte inferior através dos suportes até à bandeja dos acessórios, fixando bem.

5. Montagem - Encaixe:

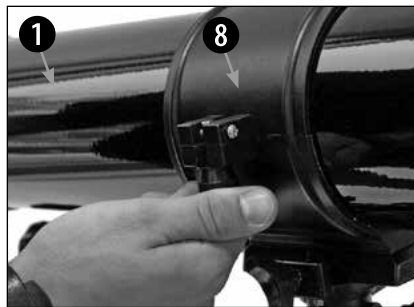


Primeiro, prepare o encaixe (9), coloque o contrapeso na haste do contrapeso (17) e enrosque bem no encaixe a partir da parte inferior. O parafuso necessário é fornecido com o contrapeso.



O anel TOT (8) deverá ser colocado no encaixe e fixado com o parafuso (X).

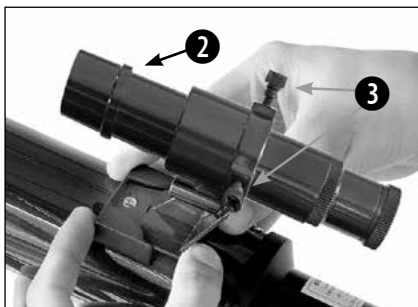
6. Montagem - Tubo:



Para encaixar o tubo telescópico (1), desenrosque os parafusos nos anéis TOT (8) e abra o anel.

Agora, coloque o TOT no centro do anel. Feche o anel e fixe o suporte apertando os parafusos.

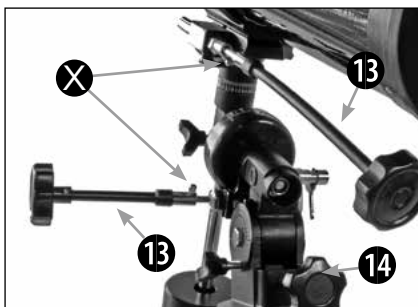
7. Montagem - Apontador:



Primeiro, coloque o apontador (2) conforme indicado, através do suporte do apontador.

Depois, aperte gentilmente os parafusos de ajuste (3), de modo a que o telescópio não saia.

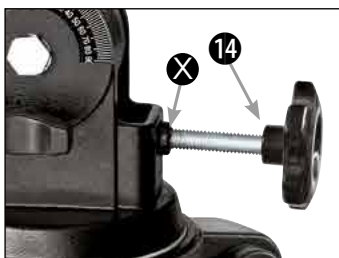
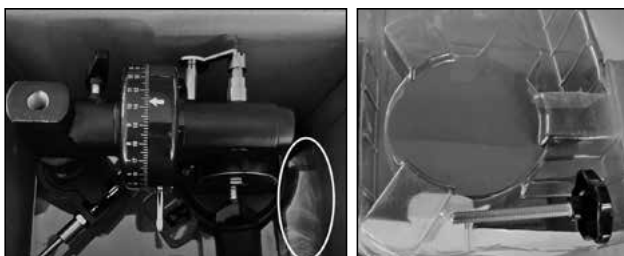
8. Montagem - Pegas flexíveis:



As pegas flexíveis (13) têm de ser fixadas no encaixe (X) para fazer os ajustes exatos e precisos do eixo de declinação e ascensão reta mais fáceis de usar.

Fixe as pegas enroscando bem os parafusos nos entalhes do encaixe.

9. Montagem - Parafuso de ajuste da latitude:



O parafuso de ajuste da latitude (altura da haste) encontra-se por baixo da última camada na caixa dos acessórios. Fixe o parafuso conforme apresentado na imagem (X).

10. Montagem da ocular:



São fornecidas três oculares como acessórios padrão para este telescópio.

Pode decidir a ampliação a usar com o seu telescópio, substituindo as oculares. Antes de inserir a ocular, tem de retirar a tampa de proteção contra o pó do tubo de ligação da ocular (6).

Desaperte o parafuso (X) no tubo de ligação da ocular e insira a ocular de 30 mm. Volte a apertar o parafuso (X) no tubo de ligação da ocular.

11. Tampas de proteção:

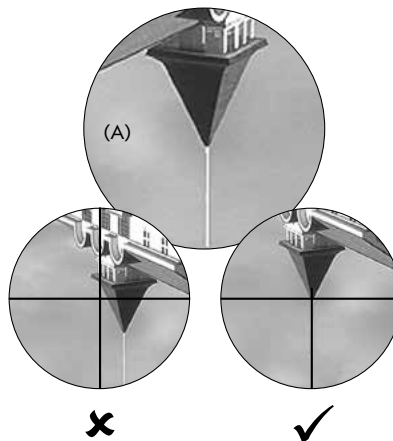


Para proteger o interior do seu telescópio do pó e sujidade, a abertura do tubo está protegida por uma tampa de proteção contra o pó. Para observação, retire ambas as tampas da abertura.

Importante: Este telescópio não deverá ser usado para observação do Sol.

AVISO! NUNCA OLHE PARA O SOL! PERIGO DE CEGUEIRA!

12. Ajuste do apontador:



O apontador tem de ser ajustado antes da utilização: O tubo TOT tem de ficar paralelo um ao outro.

Aponte o telescópio (Imagem A) para um objeto proeminente a cerca de 300 a 500 metros de distância usando uma ocular de alta ampliação (por exemplo, uma ocular de 8 mm ou de 12,5 mm).

Agora, olhe através do apontador e mova-o rodando os 6 parafusos de ajuste (3) até ver o objeto no meio do retículo.

O telescópio está agora pronto para ser usado.

Manusear o encaixe



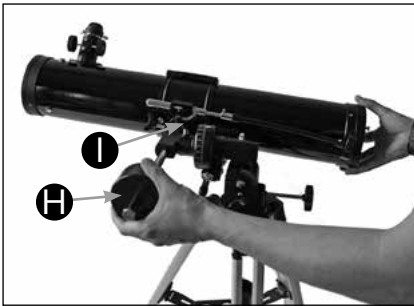
- | | |
|--|---|
| A Anel TOT | G Parafuso de fixação e ajuste do eixo da latitude |
| B Disco de focagem | H Contrapeso |
| C Escala do eixo da declinação | I Parafuso de fixação do eixo da ascensão reta |
| D Parafuso de fixação do eixo da declinação | J Altitude da ascensão reta |
| E Ajuste preciso do eixo da declinação | K Ajuste preciso do eixo da ascensão reta |
| F Escala do eixo da latitude | L Parafuso de fixação do alinhamento horizontal |

13. Manuseamento - Preparação:

É muito importante ter um local escuro para grande parte das observações, pois as luzes em redor podem perturbar a sua visão noturna.

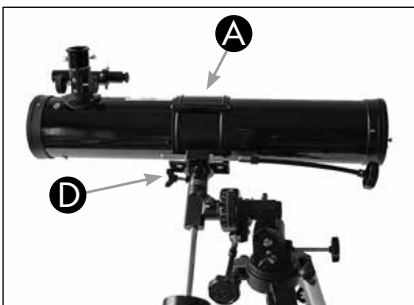
Não observe a partir de áreas fechadas. Recomendamos que prepare o seu telescópio, pelo menos, 30 minutos antes de começar a observação, para garantir um equilíbrio da temperatura. Também se deve certificar de que o telescópio é colocado numa superfície estável e nivelada. O melhor é habituar-se ao telescópio e habituar-se às suas funcionalidades durante o dia. Isto permite uma melhor utilização do seu telescópio.

14. Manuseamento - Equilíbrio:



Para evitar danos nas peças sensíveis do encaixe, os dois eixos têm de estar equilibrados antes da observação.

Ao desapertar os parafusos de fixação (I) e inclinando a haste do peso para uma posição horizontal, o eixo da ascensão reta pode ser equilibrado. Agora, ajuste o contrapeso (H) na haste, até que o TOT e o peso permaneçam na horizontal. Volte a apertar o parafuso de fixação (I) no eixo de ascensão reta.



O eixo da declinação pode ser equilibrado desapertando o parafuso de fixação (D) no eixo da declinação. Depois, desaperte os parafusos no suporte TOT (A). A seguir, mova o tubo, desde que este permaneça na horizontal.

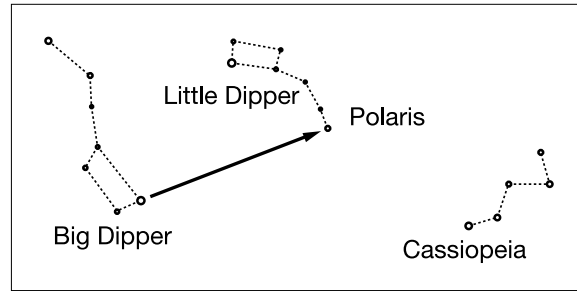
Não se esqueça de voltar a apertar os parafusos de fixação.

15. Manuseamento - Alinhamento:

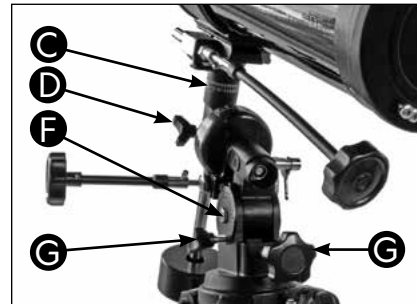


Agora, aponte todo o telescópio com a abertura TOT na frente virada para norte. Use uma bússola, se tiver uma.

Para isso, tem de desapertar o parafuso de fixação (L). Depois, pode rodar o TOT do telescópio de forma precisa na direção do norte. Volte a apertar o parafuso de fixação (L).



16. Manuseamento - Latitude:



Agora, ajuste o eixo da latitude (F) (altura da haste), desapertando o parafuso de fixação (G). Mude o ângulo usando o parafuso de ajuste (G). Os graus para definir o eixo dependem do grau da latitude do local onde se encontra (por exemplo, Londres 51°, Dublin 53°, Glasgow 56°, Manchester 53°, Birmingham 52°, Cork 52°).

Não se esqueça de voltar a apertar o parafuso de fixação.

Depois, defina o eixo da declinação (C), abrindo e fechando o parafuso de fixação (D) 90°. O telescópio fica alinhado em paralelo com o eixo da Terra.

DICA: Os graus da latitude da sua localização exata podem ser sempre encontrados num atlas, na extremidade direita ou esquerda de um mapa ou na Internet.

17. Manuseamento - Apontador:



O telescópio está agora alinhado e ajustado de forma geral. Para obter uma posição de observação confortável, deverá desapertar os parafusos do suporte TOT (A), de modo a conseguir rodar o tubo do telescópio. Coloque a ocular e o apontador numa posição que seja confortável para si para observar através de ambos. O alinhamento preciso é feito usando o apontador. Olhe através do apontador e centre a Estrela Polar no meio do apontador.



Use as pegas flexíveis no eixo de ascensão reta (K) e eixo de declinação (E) para ajuste preciso. Importante: A pega de declinação (E) só é ajustável até um máximo de cerca de 30 graus.

18. Manuseamento - Observação:



Após localizar a Estrela Polar no apontador, olhe através da ocular. A Estrela Polar deverá estar visível.

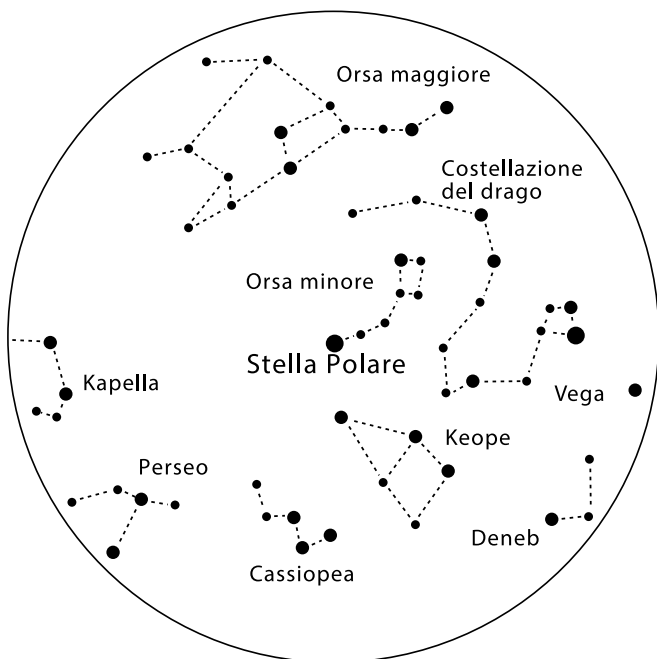
Se necessário, pode alinhar a estrela de forma mais precisa com a ajuda das pegas flexíveis, tal como pode ajustar a focagem usando o disco de focagem (B).

Quando devidamente focada, a estrela deverá aparecer nítida.

Pode agora substituir as oculares para aumentar ou diminuir a ampliação.

DICA: Comece cada observação com uma ocular de baixa ampliação (30 mm).

19. Manuseamento - Encontrar uma estrela:



Inicialmente, será difícil para si encontrar algo no céu noturno, pois as estrelas e as constelações parecem estar sempre em movimento, de acordo com a estação, data e hora. A Estrela Polar é a exceção. É uma estrela fixa e o ponto inicial de todos os mapas estelares no hemisfério norte.

Para começar, deverá observar algumas constelações conhecidas e grupos de estrelas que estejam visíveis todo o ano. O posicionamento dos objetos celestiais depende da data e da hora.

Se alinhou o seu telescópio com precisão numa destas estrelas, irá reparar que ela desaparece do seu campo de visão passados alguns minutos. Para contornar este efeito, tem de rodar a pega flexível (K) para o eixo de ascensão reta, e o seu telescópio segue a trajetória desta estrela.

20. Manuseamento - Acessórios:

O seu telescópio é fornecido com 3 oculares. Ao substituir as oculares, pode alterar a ampliação do seu telescópio. Para um melhor desempenho, a ampliação máxima recomendada é de 152X.

Dica:
Distância focal/ Ocular = Ampliação
700 mm / 30 mm = **23 x**

Usando a lente ergonómica de 1,5x:
700 mm / 8 mm = 87,5x x 1,5 = **131x**

Usando a lente Barlow, pode triplicar a ampliação de cada ocular.

Usando a Lente Barlow de 3x:
700 mm / 8 mm = 87,5x x 3 = **262x**

21. Manuseamento - Desmontar:

Após uma observação que se espera interessante e bem sucedida, recomendamos que guarde todo o seu telescópio num local seco e bem ventilado.

Não se esqueça de colocar as tampas de proteção contra o pó na abertura TOT e na ligação da ocular. Além disso, deverá guardar todas as oculares e acessórios óticos nos respetivos recipientes.

21. Adaptador para Smartphone:



Abra o suporte flexível e coloque lá o seu Smartphone. Feche o suporte e certifique-se de que o seu Smartphone está bem fixado. A câmara tem de ser posicionada exatamente acima da ocular. Abra a mola de fixação na parte traseira do suporte e coloque a ocular exatamente na câmara do seu Smartphone. Agora, volte a apertar a mola de fixação e fixe o adaptador do Smartphone na ocular do seu telescópio. Agora, inicie a aplicação da câmara. Se a imagem ainda não estiver centrada no seu ecrã, desaperte ligeiramente a mola de fixação e volte a ajustar. Pode ser necessário usar a função do zoom para preencher a imagem no ecrã. Pode ocorrer um ligeiro sombreado das extremidades. Retire o Smartphone do suporte após a utilização!

AVISO

Certifique-se de que o Smartphone não sai do suporte. A Bresser GmbH não se responsabiliza por quaisquer danos devido à queda de um Smartphone.

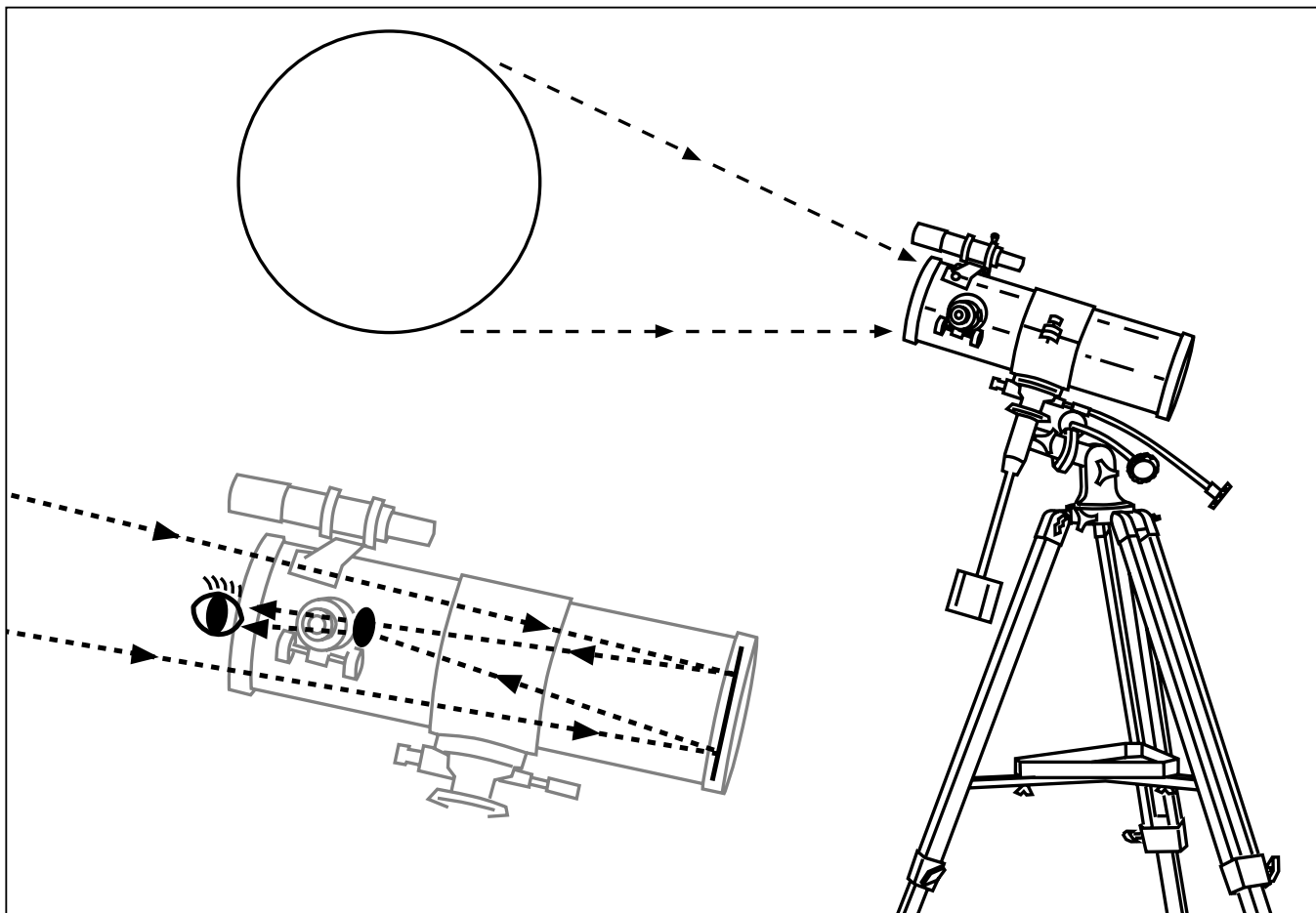
23. Manuseamento - Cuidados:

O seu telescópio é um instrumento ótico de alta qualidade. O telescópio não deverá entrar em contacto com o pó ou humidade.

Se houver pó ou sujidade no seu telescópio, primeiro passe uma escova suave e depois limpe a parte suja com um pano suave. A melhor maneira de limpar as dedadas das superfícies óticas é com um pano suave e sem linho ligeiramente embebido previamente com algum álcool.

Se o pó ou humidade entrarem no telescópio, não tente fazer a limpeza sozinho. Deverá contactar o centro de reparação.

Princípio - Telescópio refletor:



24. Download do Software de Astronomia:

O software de astronomia Stellarium pode ser descarregado em:
www.bresser.de/download/EQ/Astro_Software

Manual do Stellarium

Descarregue o PDF do manual na sua língua.

Software Stellarium

Windows: Descarregue e execute o ficheiro de configuração com a extensão .exe.
MacOS: Descarregue e execute o ficheiro de configuração com a extensão .dmg.



Download

Dados técnicos

Telescópio:

Distância focal: 694,2 mm

Abertura nítida: 75,2 mm

Apontador:

Ampliação: 5x

Diâmetro: 24 mm

Campo de visualização: 5,8°

Acessórios:

Oculares: 8 + 12,5 + 30 mm

Apontador de 5x24

Lente ergonômica de 1,5V

Lente Barlow de 3X

Tripé de alumínio

Encaixe EQ-3

Ampliação:

Ocular de 30 mm: 23X

Ocular de 12,5 mm: 56X

Ocular de 8 mm: 87,5X

Ampliação com lente ergonômica de 1,5X:

Ocular de 30 mm: 35X

Ocular de 12,5 mm: 84X

Ocular de 8 mm: 131X

Ampliação com lente Barlow de 3X:

Ocular de 30 mm: 70X

Ocular de 12,5 mm: 168X

Ocular de 8 mm: 262X

A lente ergonômica e a lente Barlow NÃO DEVERÃO SER USADAS EM SIMULTÂNEO.

Resolução de Problemas:

Erros:	Ajuda:
Não aparece imagem.	Limpe a tampa de proteção contra o pó na abertura da lente.
Imagem desfocada.	Ajuste a focagem usando o disco de focagem.
Não é possível focar.	Espere que a temperatura fique equilibrada.
Imagem de má qualidade.	Nunca observe através de uma superfície de vidro.
Objeto de visualização do apontador, mas não através do telescópio.	Ajuste o apontador (veja através Montagem: Ponto 12)
Pegas flexíveis pesadas no peso do eixo sobre o eixo.	O telescópio e as pegas não estão equilibrados
Imagem desfocada.	Verifique o ajuste no espelho principal.

ABC do telescópio:

O que significam os seguintes termos?

Lente Barlow:

A lente Barlow recebeu o seu nome a partir do seu inventor, Peter Barlow, um matemático e físico britânico que viveu entre 1776 e 1862. A lente pode ser usada para aumentar a largura de focagem de um telescópio. Dependendo do tipo de lente, pode duplicar ou até triplicar a largura de focagem. Como resultado, a ampliação também pode ser aumentada. Consulte também Ocular. Este telescópio tem uma lente Barlow de 3X.

Distância focal:

Tudo o que amplia um objeto através de uma lente ótica tem uma certa distância focal. A distância focal é a distância do caminho que a luz viaja da superfície da lente até ao seu ponto de focagem. O ponto de focagem também recebe o nome de focagem. Na focagem, a imagem está nítida. No caso de um telescópio, a distância focal do tubo do telescópio e as oculares são combinadas.

Lente:

A lente dobra a luz que recebe, de modo a que a luz crie uma imagem nítida no ponto de focagem, após ter viajado uma certa distância (distância focal).

Ocular:

Uma ocular é um sistema de visualização que inclui uma ou mais lentes. A ocular amplia a imagem nítida gerada no ponto de focagem de uma lente.

Ampliação:

A ampliação corresponde à diferença entre a observação a olho nu e a observação através de um aparelho de ampliação (como um telescópio). A observação a olho nu é considerada simples, ou ampliação de 1X. Assim, se um telescópio tem uma ampliação de 30X, um objeto visualizado através do telescópio aparece 30 vezes maior do que se fosse visto a olho nu. Consulte também Ocular.

! NOTAS acerca da limpeza

Limpe as oculares e as lentes apenas com um pano suave e sem linho, como um pano de microfibras. Para evitar riscar as lentes, faça apenas uma ligeira pressão com o pano de limpeza.

Para eliminar manchas mais difíceis, embeba o pano de limpeza com uma solução de limpeza para óculos e passe gentilmente as lentes.

Proteja o dispositivo do pó e humidade. Após a utilização, especialmente com grande humidade, deixe o dispositivo aclimatizar-se durante um curto período de tempo, de modo a que a humidade residual se possa dissipar antes de guardar o dispositivo. Retire a cobertura do pó e guarde-a no saco incluído durante a utilização.



ELIMINAÇÃO

Elimine os materiais de empacotamento de forma correta, de acordo com o seu tipo, como papel ou cartão. Contacte o seu centro de eliminação de resíduos local, ou as autoridades ambientais para se informar quanto a uma eliminação correta.

Siga as normas legais atuais quando eliminar o seu dispositivo. Pode obter mais informações sobre a eliminação adequada no seu centro de eliminação de resíduos local ou autoridade ambiental.

GARANTIA

O período normal da garantia é de 2 anos a partir da data da compra. Para beneficiar de uma extensão da garantia, conforme indicado na caixa, tem de se registar no nosso website.

Pode consultar os termos completos da garantia, bem como a informação acerca da extensão da garantia e mais detalhes dos nossos serviços em: www.bresser.de/warranty_terms.

Informacje ogólne

Informacje o tej instrukcji obsługi

Prosimy o uważne zapoznanie się z instrukcją bezpieczeństwa zawartą w tej instrukcji. Aby uniknąć uszkodzenia urządzenia i ryzyka obrażeń, używaj tego produktu wyłącznie w sposób opisany w instrukcji. Trzymaj instrukcję obsługi pod ręką, aby łatwo wyszukać informacje na temat wszystkich funkcji.



NIEBEZPIECZEŃSTWO

Symbol ten znajdziesz przed każdą sekcją tekstu, która dotyczy ryzyka poważnych obrażeń, a nawet śmierci w przypadku niewłaściwego użytkowania.



UWAGA

Symbol ten znajdziesz przed każdą sekcją tekstu, która dotyczy ryzyka uszkodzenia mienia lub środowiska.

Przeznaczenie

Ten produkt jest przeznaczony wyłącznie do użytku prywatnego. Został opracowany z myślą o pokazywaniu powiększonych elementów przyrody.

Ostrzeżenie ogólne



RYZIKO ŚLEPOTY

Nigdy nie używaj tego urządzenia do patrzenia bezpośrednio na słońce lub w jego bezpośrednie pobliże. Może to spowodować ślepotę.



RYZIKO UDŁAWIENIA

Dzieci powinny korzystać z urządzenia wyłącznie pod nadzorem osoby dorosłej. Przechowuj materiały opakowaniowe, takie jak plastikowe torby i gumki, w miejscu niedostępnym dla dzieci, ponieważ stwarzają one ryzyko udławienia.



RYZIKO POŻARU

Nie umieszczaj urządzenia, w szczególności soczewek, w bezpośrednim świetle słonecznym. Koncentracja światła może spowodować pożar.



UWAGA

Nie demontuj urządzenia. W przypadku wystąpienia wady prosimy o kontakt ze sprzedawcą. Sprzedawca skontaktuje się z centrum serwisowym i w razie potrzeby może wysłać urządzenie do naprawy.

Nie wystawiaj urządzenia na działanie wysokich temperatur.



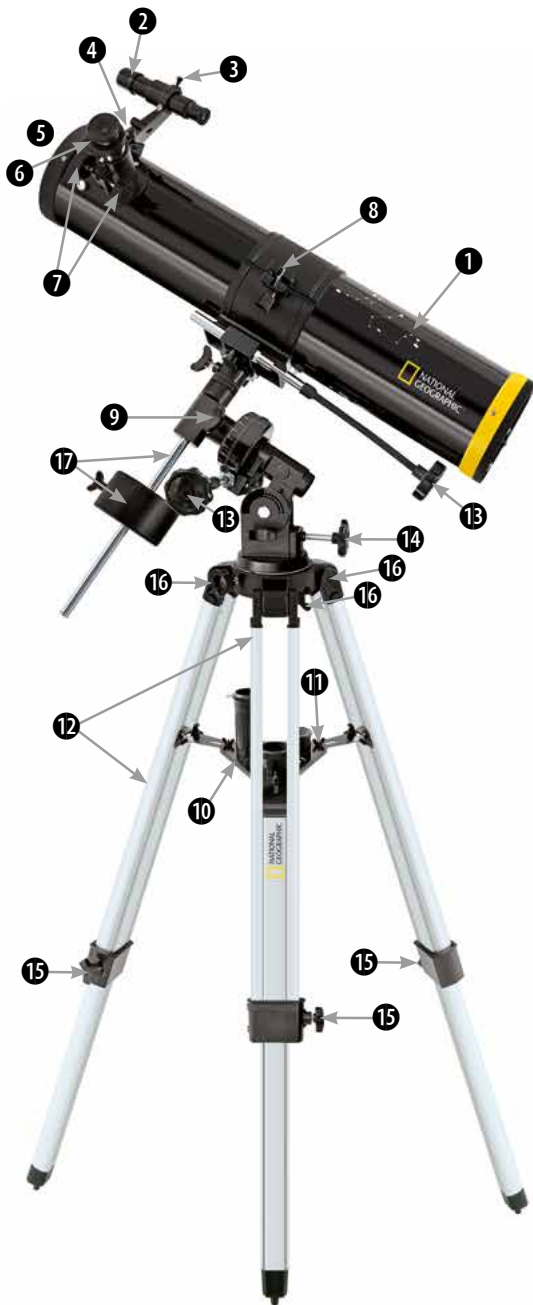
Ochrona prywatności

To urządzenie jest przeznaczone wyłącznie do użytku prywatnego. Szanuj prywatność innych ludzi. Nie używaj urządzenia na przykład do zaglądania do mieszkań.

Zakres dostawy

A		<ul style="list-style-type: none"> ❶ Rura teleskopowa (OTA) ❷ Nasadka ochronna
B		<ul style="list-style-type: none"> ❸ Montaż
C		<ul style="list-style-type: none"> ❹ Śruba do regulacji szerokości geograficznej ❺ Szukacz 5x24 ❻ Uchwyt do precyzyjnej regulacji ❼ Pręt przeciwwagi ❽ Soczewka odwracająca 1,5x ❾ Soczewka Barłowa 3x ❿ Taca na akcesoria ⓫ Śruby (głowica statywu) ⓬ Śruby (nogi statywu) ⓭ Śruby tacy na akcesoria ⓮ Śrubokręt ⓯ Adapter do smartfona ⓰ Eyepiece ⓱ Eyepiece ⓲ Okular + filtr księżycowy
D		<ul style="list-style-type: none"> ⓯ Przeciwwaga
E		<ul style="list-style-type: none"> ⓰ Nogi statywu
		<ul style="list-style-type: none"> ⓱ Instrukcja obsługi ⓲ Mapa nieba ⓳ Mapa Księżyca

Części – budowa



- 1 Montaż tuby optycznej teleskopu (OTA)
- 2 Szukacz
- 3 Śruby regulacyjne (szukacz)
- 4 Mocowanie szukacza
- 5 Otwór OTA
- 6 Złącze okularu
- 7 Pokrętko ostrości
- 8 Pierścień OTA
- 9 Montaż
- 10 Taca na akcesoria
- 11 Śruby mocujące (taca)
- 12 Nogi statywu
- 13 Elastyczne uchwyty do precyzyjnej regulacji
- 14 Śruba do regulacji szerokości geograficznej
- 15 Śruby (nogi statywu)
- 16 Śruby (głowica statywu)
- 17 Przeciwwaga + pręt

Części – akcesoria



Okulary



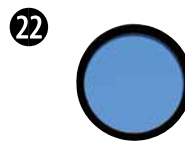
Szukacz 5x24



Soczewka Barlowa 3x



Soczewka odwracająca 1,5x



Filtr księżycowy



Oprogramowanie astronomiczne do pobrania



Adapter do smartfona

- 18 Okulary: 8/12,5/30 mm
- 19 Szukacz 5x24
- 20 Soczewka Barlowa 3x
- 21 Soczewka odwracająca 1,5x
- 22 Filtr księżycowy
- 23 Oprogramowanie astronomiczne do pobrania
- 24 Adapter do smartfona



POBIERANIE OPROGRAMOWANIA ASTRONOMICZNEGO:

www.bresser.de/download/EQ/Astro_Software

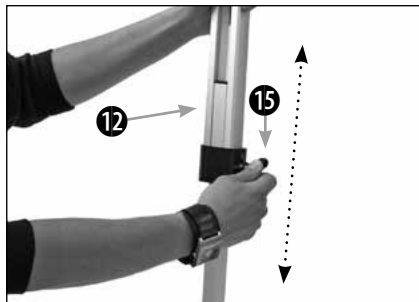
1. Ogólne/lokalizacja:

Przed złożeniem teleskopu należy wybrać dla niego odpowiednie miejsce. Dobrym pomysłem jest ustawienie tego instrumentu w miejscu, w którym zapewniony jest wyraźny widok nieba, stabilna podstawa i wystarczająca przestrzeń wokół Ciebie.

Najpierw usuń wszystkie części z opakowania. Korzystając ze schematu, sprawdź, czy wszystkie części są dostępne.

Ważne: Dokręcaj śruby tylko palcami, a tym samym unikaj ich nadmiernego dokręcania.

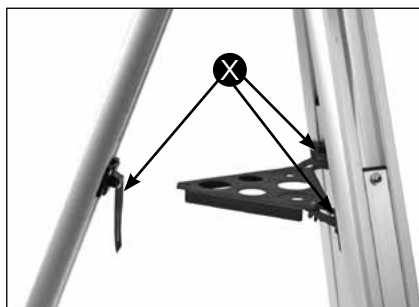
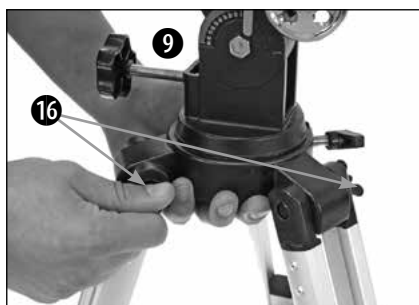
2. Montaż – nogi statywu:



Najpierw wysuń środkowy element każdej z trzech nóg statywu (12) na żądaną długość.

Włóż następnie śruby blokujące (15) do nóg statywu i dokręć je.

3. Składanie – montaż + statyw:



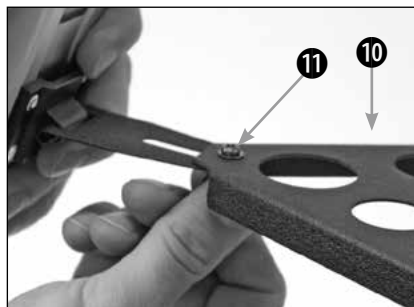
Montaż musi być przymocowany do głowicy statywu, tak aby montaż (9) i statyw były bezpiecznie połączone.

Śruby (16) są wkładane z podkładką przez otwór w głowicy statywu i mocowanie na montażu. Druga podkładka i nakrętka motylkowa są przykręcane i dokręcane.

Postępuj w ten sam sposób z dwoma pozostałymi mocowaniami, aż montaż i statyw zostaną solidnie połączone w jeden.

Upewnij się, że wsporniki (X) tacy na akcesoria znajdują się po wewnętrznej stronie nóg statywu.

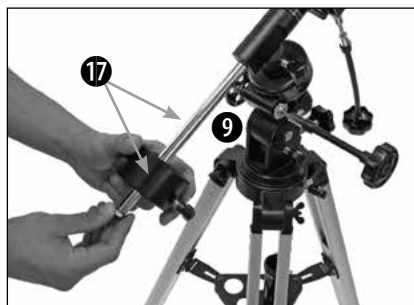
4. Składanie – taca na akcesoria:



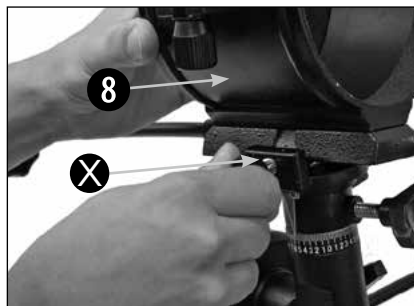
Przytrzymaj tacę na akcesoria (10) przy wspornikach statywu na nogach statywu.

Przykręć trzy nakrętki motylkowe (11) od dołu przez wsporniki do tacy akcesoriów, mocno dokręcając.

5. Składanie – montaż

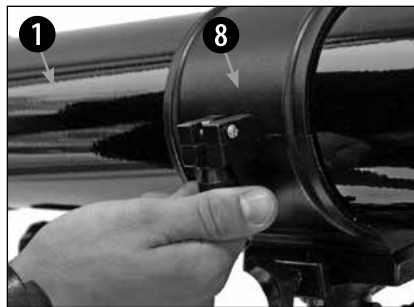


Najpierw przygotuj montaż (9), umieść przeciwwagę na drążku przeciwwagi (17), a następnie przykręć go mocno do montażu od dołu. Potrzebna śruba jest wypełniona przeciwwagą.



Pierścień OTA (8) należy teraz umieścić na montażu i zamocować za pomocą śruby (X).

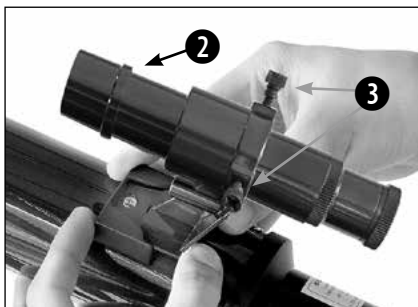
6. Składanie – tuba:



Aby zamontować tubę teleskopu (1), odkręć śruby na pierścieniach OTA (8) i otwórz pierścień.

Teraz umieść OTA na środku pierścienia. Zamknij pierścień i zabezpiecz wspornik, dokręcając śruby.

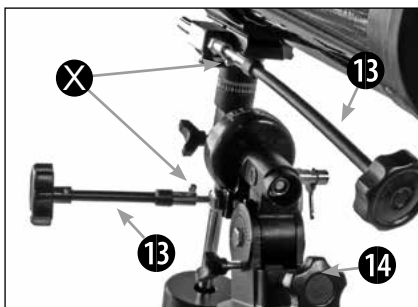
7. Składanie – szukacz



Najpierw przełóż szukacza (2), jak pokazano na rysunku, przez uchwyt szukacza.

Następnie delikatnie dokręć śruby regulacyjne (3), aby teleskop nie wypadł.

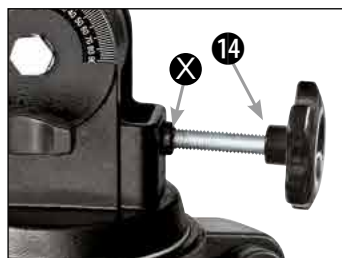
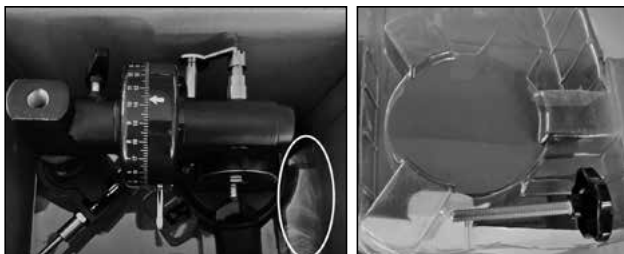
8. Składanie – elastyczne uchwyty:



Elastyczne uchwyty (13) muszą być przymocowane do montażu (X), aby ułatwić dokładne i precyzyjne regulacje osi deklinacji i rektascencji.

Zabezpiecz uchwyty, mocno wkręcając śruby w wycięcia na montażu.

9. Składanie – śruba do regulacji szerokości geograficznej:



Śrubę do regulacji szerokości geograficznej (wysokość gwiazdy polarnej) można znaleźć pod ostatnią wkładką w pudełku z akcesoriami. Zamontuj śrubę, jak pokazano na ilustracji (X).

10. Konfiguracja okularu:



Trzy okulary są dostarczane jako standardowe akcesoria do tego teleskopu.

Możesz zdecydować, którego powiększenia chcesz użyć do teleskopu, wymieniając okulary. Przed włożeniem okularu należy zdjąć nasadkę chroniącą przed kurzem z wyciągu okularowego (6).

Odkręć śrubę (X) na tubie łączącej okularu i włóż okular 30 mm. Ponownie dokręć śrubę (X) na wyciągu okularowym.

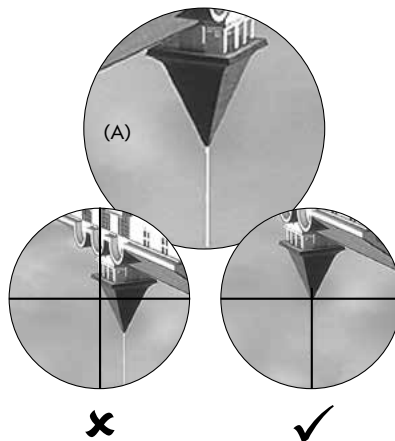
11. Nasadki ochronne:



Aby chronić wnętrze teleskopu przed kurzem i brudem, otwór tuby jest chroniony przez nasadkę chroniącą przed kurzem. W celu obserwacji zdejmij obie nasadki z otworu.

Ważne! Ten teleskop nie powinien być używany do obserwacji Słońca. OSTRZEŻENIE! NIGDY NIE PATRZ NA SŁOŃCE! NIEBEZPIECZEŃSTWO ŚLEPOTY!

12. Regulacja szukacza:



Suchacz musi być wyregulowany przed użyciem: on i tuba OTA muszą być równoległe do siebie.

Skieruj teleskop (zdjęcie: A) na widoczny obiekt oddalony o około 300 - 500 m za pomocą okularu o dużym powiększeniu (na przykład: okular 8 mm lub 12,5 mm).

Teraz spójrz przez szukacz i przesuw go, przekręcając 6 śrub regulacyjnych (3), aż zobaczysz obiekt na środku siatki.

Teleskop jest już gotowy do użycia.

Obsługa montażu



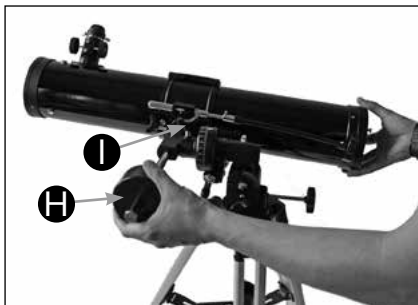
- | | |
|--|--|
| A Pierścień OTA | G Śruba mocująca i regulacyjna osi szerokości geograficznej |
| B Pokrętko do regulacji ostrości | H Przeciwwaga |
| C Skala osi deklinacji | I Śruba mocująca oś rektascensji |
| D Śruba mocująca oś deklinacji | J Rektascensja |
| E Precyzyjna regulacja osi deklinacji | K Precyzyjna regulacja osi rektascensji |
| F Skala osi szerokości geograficznej | L Śruba mocująca justowania w poziomie |

13. Obsługa – przygotowanie:

Ciemne położenie jest bardzo ważne dla większości obserwacji, ponieważ przeszkadzające światła mogą utrudniać widzenie w nocy.

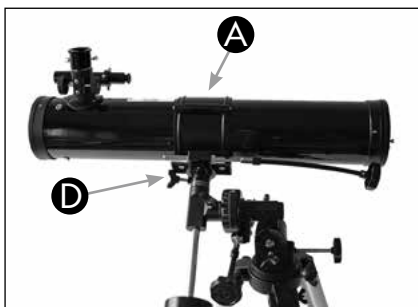
Nie obserwuj z zamkniętych obszarów. Zalecamy ustawienie teleskopu co najmniej 30 minut przed rozpoczęciem obserwacji, aby zagwarantować wyrównanie temperatury. Należy również upewnić się, że teleskop jest umieszczony na stabilnym i równym podłożu. Najlepiej, jeśli poznasz teleskop i opanujesz jego funkcje w ciągu dnia. Umożliwi to lepsze korzystanie z teleskopu.

14. Obsługa – równowaga:



Aby uniknąć uszkodzeń wrażliwych części montażu, obie osie muszą zostać zrównoważone przed obserwacją.

Poprzez poluzowanie śrub mocujących (I) i przechylenie pręta do pozycji poziomej można zrównoważyć oś rektascensji. Teraz wyreguluj przeciwwagę (H) na pręcie, aż OTA i ciężar znajdą się w pozycji poziomej. Ponownie dokręć śrubę mocującą (I) na osi rektascensji.



Oś deklinacji można zrównoważyć, poluzowując śrubę mocującą (D) na osi deklinacji. Następnie należy poluzować śrubę na wsporniku OTA (A). Następnie przesuwając tubus tak długo, jak długo pozostaje w pozycji poziomej.

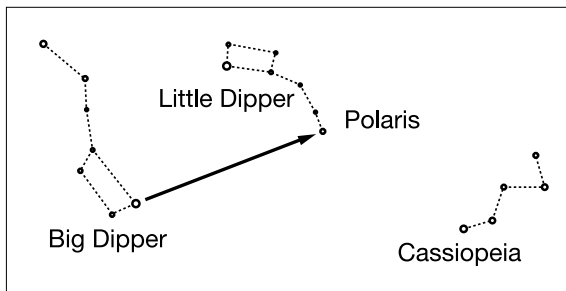
Nie zapomnij ponownie dokręcić śrub mocujących.

15. Obsługa – justowanie:

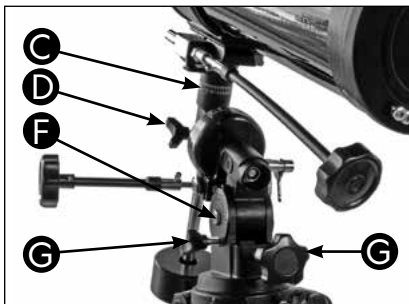


Teraz skieruj cały teleskop z otworem OTA z przodu, w kierunku północnym. Użyj kompasu, jeśli masz.

Aby to zrobić, musisz poluzować śrubę blokującą (L). Następnie możesz obrócić teleskop OTA dokładnie w kierunku północnym. Ponownie dokręć śrubę blokującą (L).



16. Obsługa – szerokość geograficzna:



Teraz dostosuj oś szerokości geograficznej (F) (wysokość Gwiazdy Północnej), poluzowując śrubę mocującą (G). Zmień kąt za pomocą śruby regulacyjnej (G).

Stopień ustawienia osi zależy od stopnia szerokości geograficznej lokalizacji (na przykład Londyn 51°, Dublin 53°, Glasgow 56°, Manchester 53°, Birmingham 52°, Cork 52°).

Nie zapomnij ponownie dokręcić śruby mocującej.

Następnie ustaw oś deklinacji (C), odkręcając i zakręcając śrubę mocującą (D), na 90°. Teleskop jest ustawiony równolegle z osią Ziemi.

WSKAZÓWKI: Stopnie szerokości geograficznej dokładnej lokalizacji można zawsze znaleźć w atlasie, na prawej lub lewej krawędzi mapy lub w Internecie.

17. Obsługa – szukacz:



Teleskop jest teraz z grubsza wyrównany i wyjustowany. Aby uzyskać wygodną pozycję obserwacyjną, należy poluzować śruby na wsporniku OTA (A), aby można było obrócić tubus teleskopu. Umieść okular i szukacz w pozycji, w której wygodnie będzie Ci patrzeć przez oba. Dokładne wyrównanie odbywa się za pomocą zakresu wyszukiwania. Spójrz przez szukacz i wysrodkuj na Gwiazdę Północną w środku szukacza.



Użyj elastycznych uchwytów osi rektascensji (K) i osi deklinacji (E) do precyzyjnego wyjustowania. Ważne: Uchwyt deklinacji (E) można regulować maksymalnie do około 30 stopni.

18. Obsługa – obserwacja:



Po zlokalizowaniu Gwiazdy Północnej w szukaczu spojrz przez okular; Gwiazda Północna powinna być widoczna.

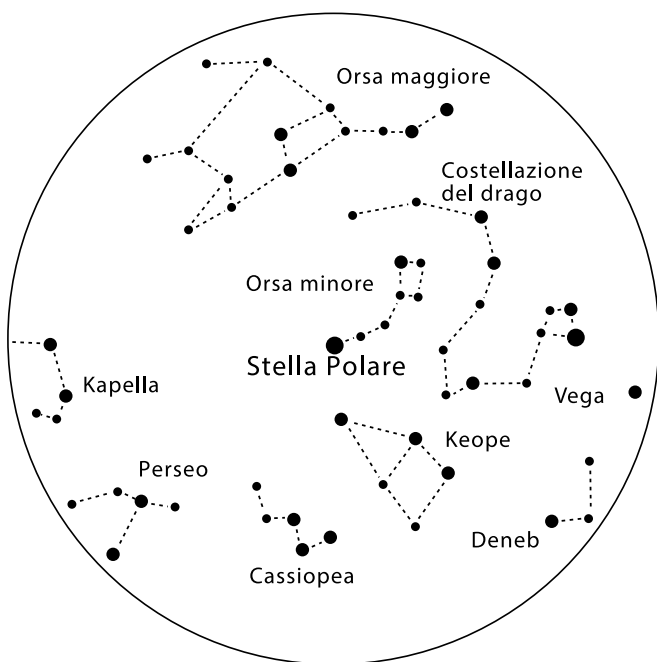
W razie potrzeby możesz precyzyjniej wyrównać gwiazdę za pomocą elastycznych uchwytów, podobnie jak możesz dostosować ostrość za pomocą pokrętki ostrości (B).

Przy odpowiednim ustawieniu ostrości gwiazda powinna mieć kształt punktu.

Możesz teraz również wymieniać okular, aby zwiększyć lub zmniejszyć powiększenie.

WSKAZÓWKA: Rozpocznij każdą obserwację od okularu o małym powiększeniu (30 mm).

19. Obsługa – znajdź gwiazdę:



Początkowo trudno będzie Ci zorientować się na nocnym niebie, ponieważ gwiazdy i konstelacje zawsze wydają się poruszać i zgodnie z porą roku, datą i godziną zmienia się ich pozycja na niebie. Gwiazda Północna, znana również jako Gwiazda Polarna (Stella Polare), jest wyjątkiem. Jest to gwiazda stała i punkt wyjścia dla wszystkich map nieba na półkuli północnej.

Na początek musisz spojrzeć na niektóre dobrze znane konstelacje i grupy gwiazd, które są widoczne przez cały rok. Położenie ciał niebieskich zależy od daty i godziny.

Jeśli ustawisz teleskop dokładnie na jedną z tych gwiazd, odkryjesz, że znika ona z pola widzenia po kilku minutach. Aby wyrównać ten efekt, musisz obrócić elastyczny uchwyt (K) osi rektascensji, a teleskop będzie podążał za trajektorią tej gwiazdy.

20. Obsługa – akcesoria:

Teleskop jest dostarczany z 3 okularami. Zmieniając okulary, możesz zmienić powiększenie teleskopu. Aby uzyskać najlepszą wydajność, maksymalne zalecane powiększenie wynosi 152x.

Rada:
Ogniskowa / Okular = Powiększenie
700 mm / 30 mm = **23 x**

Korzystanie z soczewki odwracającej 1,5x:
700 mm / 8 mm = 87,5x × 1,5 = **131x**

Za pomocą soczewki Barlowa można potroić powiększenie każdego z okularów.

Korzystanie z soczewki Barlowa 3x:
700 mm / 8 mm = 87,5x × 3 = **262x**

21. Obsługa – demontaż:

Po miewmy nadzieję interesującej i udanej obserwacji zaleca się przechowywanie całego teleskopu w suchym, dobrze wentylowanym pomieszczeniu.

Nie zapomnij założyć nasadek chroniących przed kurzem na otwór OTA i na wyciąg okularowy. Należy również schować wszystkie okulary i akcesoria optyczne do odpowiednich pojemników.

21. Adapter do smartfona:



Otwórz elastyczny uchwyt i włóż do niego smartfon. Zamknij uchwyt i upewnij się, że telefon jest prawidłowo zabezpieczony. Aparat musi być umieszczony dokładnie nad okularem. Otwórz klips blokujący z tyłu uchwytu i dopasuj okular dokładnie do aparatu w smartfonie. Teraz zamknij klips blokujący i przymocuj adapter do smartfona do okularu teleskopu. Teraz uruchom aplikację aparatu. Jeśli obraz nie jest jeszcze wyśrodkowany na wyświetlaczu, poluzuj lekko klips blokujący i wyreguluj go ponownie. Może być konieczne użycie funkcji zoomu do wypełnienia obrazu na wyświetlaczu. Możliwe jest lekkie cieniowanie na krawędziach. Wyjmij smartfon z uchwytu po użyciu!

OSTRZEŻENIE

Upewnij się, że smartfon nie może wysunąć się z uchwytu. Bresser GmbH nie ponosi odpowiedzialności za jakiegokolwiek szkodę spowodowane przez upuszczony smartfon.

23. Obsługa – pielęgnacja:

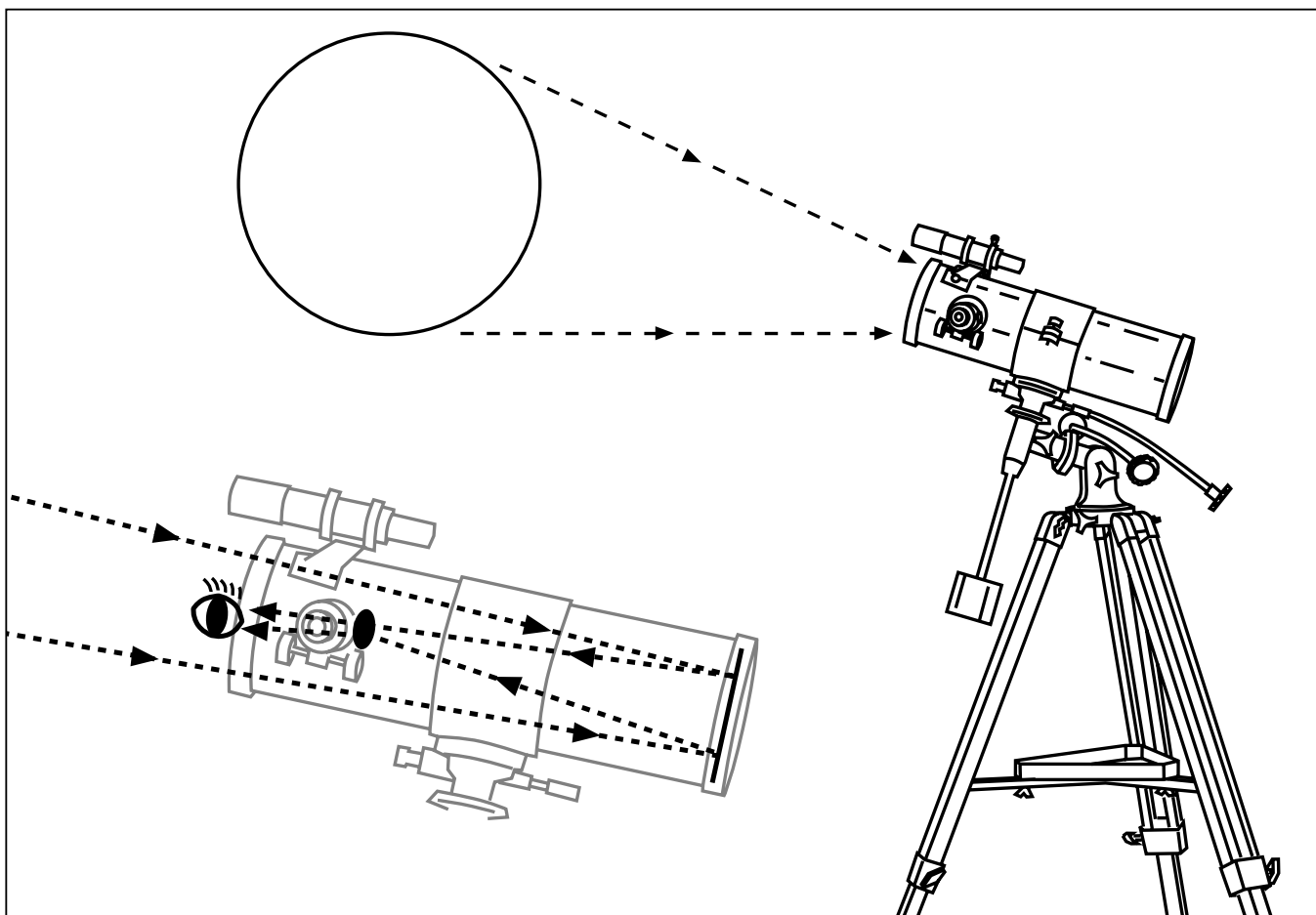
Twój teleskop jest wysokiej jakości instrumentem optycznym. Teleskop nie powinien wchodzić w kontakt z kurzem ani wilgocią.

Jeśli mimo to brud lub kurz zetknęły się z teleskopem, należy je najpierw usunąć miękką szczotką, a następnie wyczyścić zabrudzone miejsce miękką szmatką.

Najlepszym sposobem na usunięcie odcisków palców z powierzchni optycznych jest niestrzępiąca się, miękka szmatka, lekko zwilżona alkoholem.

Jeśli kurz lub wilgoć dostały się do wnętrza teleskopu, nie próbuj go samodzielnie czyścić; wyślij go do centrum serwisowego.

Zasada – teleskop zwierciadlany:



24. Oprogramowanie astronomiczne – pobierz:

Oprogramowanie astronomiczne Stellarium jest dostępne do pobrania pod adresem:
www.bresser.de/download/EQ/Astro_Software

Stellarium_Manual

Pobierz plik PDF z podręcznikiem w swoim języku.

Stellarium_Software

Windows: Pobierz i uruchom plik instalacyjny z rozszerzeniem .exe
 MacOS: Pobierz i uruchom plik instalacyjny z rozszerzeniem .dmg



Pobierz

Dane techniczne

Teleskop:

Ogniskowa: 694,2 mm

Apertura użyteczna: 75,2 mm

Szukacz:

Powiększenie: 5x

Średnica: 24 mm

Pole widzenia: 5,8°

Aksesoria:

Okulary: 8 + 12,5 + 30 mm

Szukacz 5x24

Soczewka odwracająca 1,5x

Soczewka Barlowa 3x

Statyw aluminiowy

Montaż EQ-3

Powiększenie:

Okular 30 mm: 23x

Okular 12,5 mm: 56x

Okular 8 mm: 87,5x

Powiększenie z soczewką odwracającą 1,5x:

Okular 30 mm: 35x

Okular 12,5 mm: 84x

Okular 8 mm: 131x

Powiększenie z soczewką Barlowa 3x:

Okular 30 mm: 70x

Okular 12,5 mm: 168x

Okular 8 mm: 262x

**Soczewka odwracająca i soczewka Barlowa NIE POWINNY BYĆ
UŻYWANE RAZEM.**

Rozwiązywanie problemów:

Błędy:	Pomoc:
Brak obrazu	Usuń nasadkę chroniącą przed kurzem z otworu obiektywu.
Rozmyty obraz	Dostosuj ostrość za pomocą pokrętko do regulacji ostrości
Brak możliwości ustawienia ostrości	Poczekaj na wyrównanie temperatury
Zły obraz	Nigdy nie obserwuj przez szklaną powierzchnię
Widać widoczny obiekt w szukaczu, ale nie przez teleskop	Wyjustuj szukacz (patrz Montaż: punkt 12)
Poczucie ciężkości w elastycznych uchwytach na osi nad wałem	Teleskop i przeciwwaga nie są zrównoważone
Rozmyty obraz	Sprawdź wyrównanie lustra głównego

Podstawy teleskopu:

Co oznaczają poniższe terminy?

Soczewka Barlowa:

Soczewka Barlowa została nazwana na cześć jej wynalazcy, Petera Barlowa, brytyjskiego matematyka i fizyka, który żył w latach 1776–1862. Soczewka może być używana do zwiększania szerokości ogniskowej teleskopu. W zależności od rodzaju obiektywu możliwe jest podwojenie lub nawet potrojenie ogniskowej. W rezultacie powiększenie można również zwiększyć. Patrz także Okular. Teleskop ten ma soczewkę Barlowa 3x.

Ogniskowa:

Wszystko, co powiększa obiekt za pomocą układu optycznego (soczewki), ma określoną ogniskową. Ogniskowa to długość ścieżki, którą światło przemieszcza się od powierzchni obiektywu do jego punktu ogniskowego. Punkt ogniskowym jest również określany jako ognisko. W ognisku obraz jest wyraźny. W przypadku teleskopu ogniskowe tubusu teleskopu i okularów są połączone.

Soczewka:

Soczewka zagina światło, które na nią pada, w taki sposób, że światło tworzy wyraźny obraz w punkcie ogniskowym, po przebyciu pewnej odległości (ogniskowej).

Okular:

Okular to system obserwacji składający się z jednej lub więcej soczewek. Okular powiększa wyraźny obraz generowany w punkcie ogniskowym soczewki.

Powiększenie:

Powiększenie odpowiada różnicy między obserwacją gołym okiem a obserwacją za pomocą aparatu powiększającego (np. teleskopu). Obserwacja gołym okiem jest uważana za powiększenie pojedyncze lub 1x. W związku z tym, jeśli teleskop ma powiększenie 30x, wówczas obiekt oglądany przez teleskop będzie wydawał się 30 razy większy niż gołym okiem. Zobacz także Okular.

! UWAGI dotyczące czyszczenia

Okulary i soczewki należy czyścić tylko miękką, niestrzępiącą się ściereczką, taką jak ściereczka z mikrofibry. Aby uniknąć zarysowania soczewek, tylko delikatnie naciskaj ściereczką do czyszczenia.

Aby usunąć bardziej uporczywe zabrudzenia, zwilż ściereczkę do czyszczenia okularów roztworem do czyszczenia okularów i delikatnie wytrzyj soczewki.

Chroń urządzenie przed kurzem i wilgocią. Po użyciu, szczególnie w wysokiej wilgotności, pozwól urządzeniu zaaklimatyzować się przez krótki czas, aby pozostała wilgoć mogła rozproszyć się przed przechowywaniem. Zdejmij osłonę przeciwpylową i przechowuj ją w dołączonej torbie podczas użytkowania.



UTYLIZACJA

Materiały opakowaniowe należy odpowiednio utylizować w zależności od ich rodzaju, np. papier lub tektura. Skontaktuj się z lokalnym zakładem utylizacji odpadów lub organem ochrony środowiska, aby uzyskać informacje na temat właściwej utylizacji.

Przy utylizacji urządzenia prosimy o uwzględnienie aktualnych przepisów prawnych. Więcej informacji na temat właściwego usuwania odpadów możesz uzyskać w lokalnym zakładzie utylizacji odpadów lub w urzędzie ds. ochrony środowiska.

GWARANCJA

Standardowy okres gwarancji wynosi 2 lata i rozpoczyna się w dniu zakupu. Aby skorzystać z przedłużonego okresu dobrowolnej gwarancji, jak podano na pudełku podarunkowym, wymagana jest rejestracja na naszej stronie internetowej.

Pełne warunki gwarancji oraz informacje na temat przedłużenia okresu gwarancji i szczegóły naszych usług można znaleźć na stronie www.bresser.de/warranty_terms.



YOUR PURCHASE
HAS PURPOSE

Every purchase helps support the global nonprofit National Geographic Society in its work to protect and illuminate our world through exploration, research, and education.

TO LEARN MORE, VISIT [NATGEO.COM/INFO](https://www.natgeo.com/info)

© National Geographic Partners LLC. All rights reserved.
NATIONAL GEOGRAPHIC and Yellow Border Design are trademarks of National Geographic Society, used under license.

Visit our website: www.nationalgeographic.com



Bresser GmbH
Gutenbergstr. 2
46414 Rhede
Germany

www.bresser.de
info@bresser.de