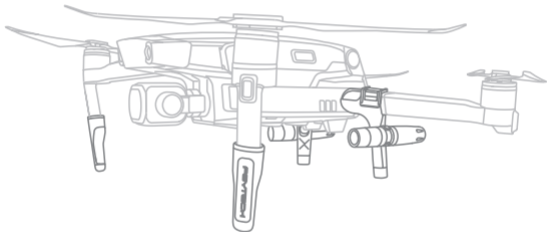


LANDING GEAR EXTENSIONS LED HEADLAMP SET FOR MAVIC 2



PGYTECH

包装清单 In the box



说明书 x 1
User Manual x 1



LED灯 x2
LED Headlamp x2



增高前起落架 x 1
Front Landing
Gear Extensions x 1



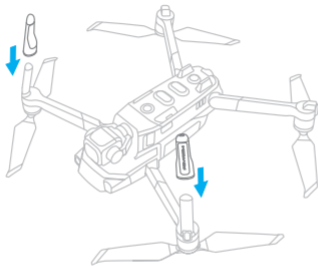
增高后起落架 x 1
Rear Landing
Gear Extensions x 1

基本参数 Product Parameters

产品名称：
MAVIC 2 增高起落架LED灯套装
产品型号：P-HA-030
主要材质：PC & ABS, 硅胶, 铝合金

Product Name:
Landing Gear Extensions LED
Headlamp Set for MAVIC 2
Item Number : P-HA-030
Main Material:
PC & ABS,Silica Gel,Aluminum

安装示意图 Instruction



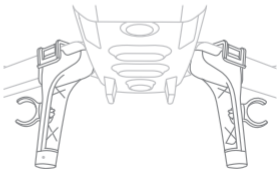
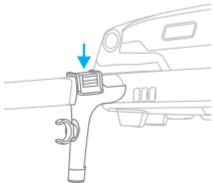
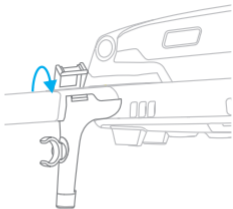
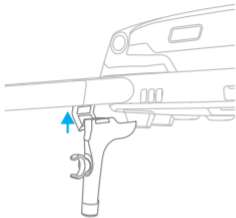
将增高起落架对准飞机原起落架

Raise the landing gear at the original aircraft landing gear.

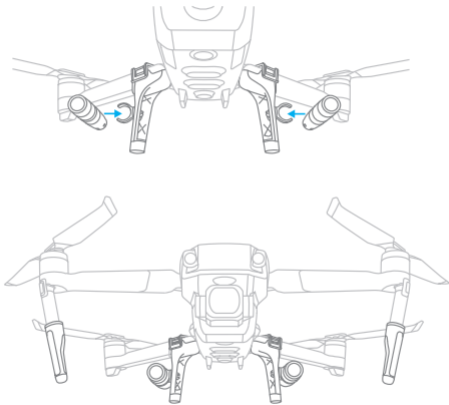
小心套入, 直至安装到底。

Carefully put it into the installation until the end.

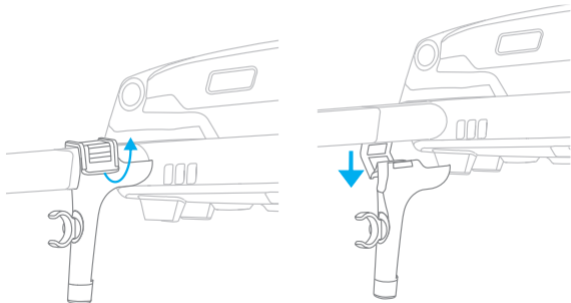
安装示意图 Instruction



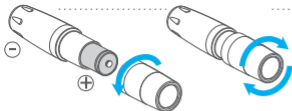
安装示意图 Instruction



拆卸示意图 Disassembly



注: 折叠飞机前, 请拆掉增高起落架
Note: Please disassemble the landing gear extensions
before folding the drone.



①可更换电池

- 旋转拧开灯盖，加入电池即可
- 支持型号:AAA(7号)
- 支持类型:干电池、镍氢电池

Replaceable battery

- Turn the lamp cap off and put into battery.
- Support model: AAA battery.
- Support type: dry battery, NI-MH battery.

②亮度可调式灯头

- 旋转灯头开关第一次为96lm(最亮)
- 第二次为47lm(中光)
- 旋转开关第三次为9.5lm(弱光)
- 旋转开关第四次为灯光闪烁

Brightness adjustable

- The first time to rotate the lamp switch is 96lm(brightest)
- The second time is 47lm (medium light)
- Rotary switch for the third time is 9.5lm (low light)
- The rotary switch is flashing for the fourth time.

③放电时间:

25min(强光);50min(中光);
5h(弱光)

注:以上参数使用AAA碱性电池测得。

LED灯珠规格: CREE XPE-R3;

Discharge time:

25min (brightest);
50min (medium light);
5h (low light)

LED type: CREE XPE-R3



1、LED灯需要配合AAA7号电池使用(本产品不包含电池);2、LED灯无法单独使用,需配合增高起落架;3、请按照说明书所示正确使用此产品。

1. LED lights need to cooperate with the AAA battery (this product does not contain the battery); 2. LED lights can't be used alone, with the need to increase the landing gear; 3. please use this product according to this instruction manual.

Tutorial



使用说明



RoHS

Designed by PGYTECH

MADE IN CHINA

www.pgy-tech.com

